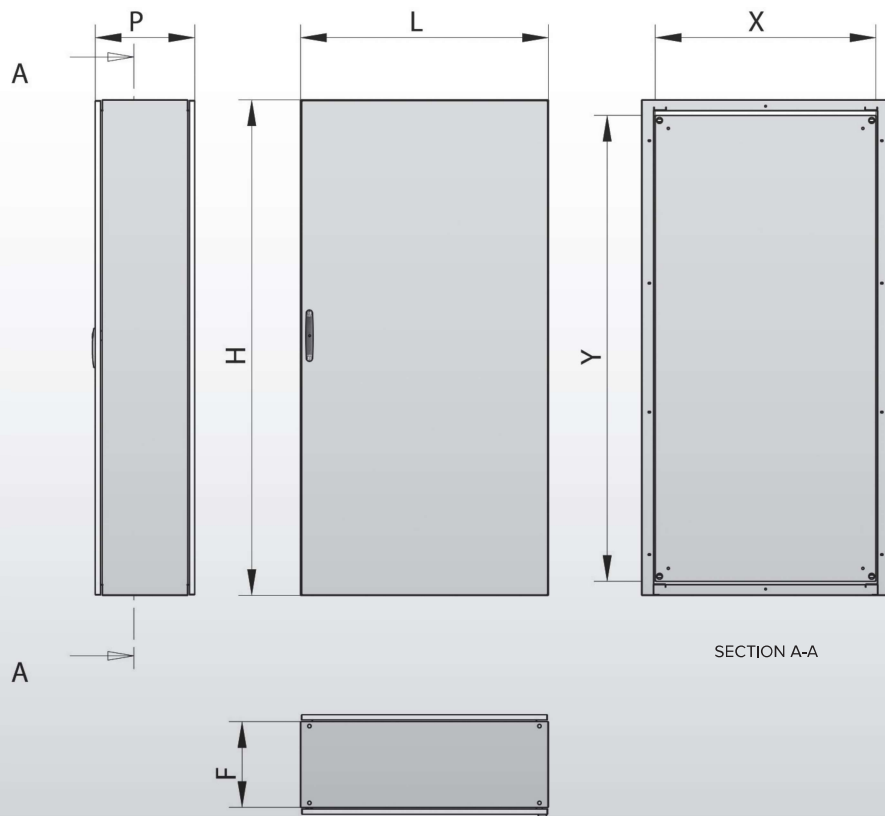




ENCLOSURES



AFX SERIES ENCLOSURES

Series AF monoblock enclosures - IP55

Description: enclosures series AF have welded monoblock frame, rear removable panels in stainless steel sheet thick 2.0 mm, doors in stainless steel sheet thick 2.0 mm with inner stiffening frame, and mounting plates in galvanised steel thick 2.5 mm. Along the inner perymeter on the structure there are slots on regular pattern. Enclosures are supplied with sliding cable entry flanges.

The AFB ... X cabinet with single door is complete with:

- fully welded **AF...X** monoblock frame, uprights and internal currents recreating the symmetries of the OK series profiles, cable entry compartment on the bottom with sliding flanges
- blind door code **DBE...X** with 120° opening, internal frame reinforcement with zamak corners, polyurethane gasket and lever lock, double flap 3 mm
- blind screwed rear panel code **RPE...X**
- internal plate in galvanized sheet. code **PNA** (page 16)

Protection degree:

- IP55, IEC 62208 ; CEI EN 62262
- IK10, IEC 62208 ; CEI EN 62262
- Nema type 1-12: CSA22.2,941 e 942, UL508a

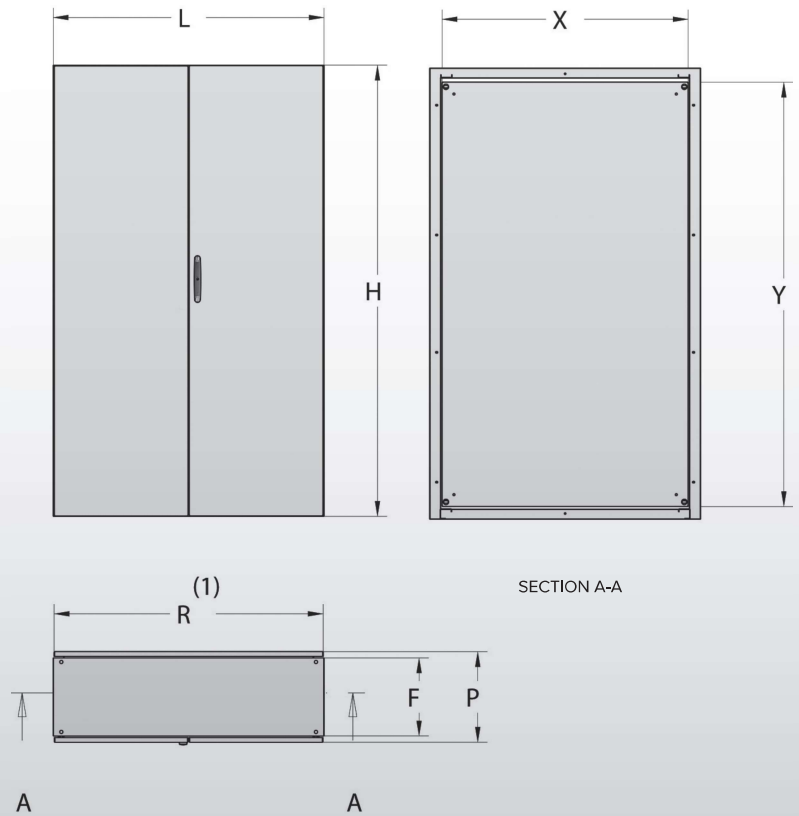
General technical features:

- thickness panels 15/10
- thickness door 20/10
- thickness mounting plate 25/10

Certifications:



CODE	Nominal dimensions			Other dimensions	Inner plate	
	H	L	P	F	X	Y
AFB1264X	1200	600	400	346	490	1080
AFB1284X	1200	800	400	346	690	1080
AFB12A4X	1200	1000	400	346	890	1080
AFB1464X	1400	600	400	346	490	1280
AFB1484X	1400	800	400	346	690	1280
AFB14A4X	1400	1000	400	346	890	1280
AFB1664X	1600	600	400	346	490	1480
AFB1684X	1600	800	400	346	690	1480
AFB16A4X	1600	1000	400	346	890	1480
AFB1864X	1800	600	400	346	490	1680
AFB1865X	1800	600	500	446	490	1680
AFB1884X	1800	800	400	346	690	1680
AFB1885X	1800	800	500	446	690	1680
AFB18A4X	1800	1000	400	346	890	1680
AFB18A5X	1800	1000	500	446	890	1680
AFB2064X	2000	600	400	346	490	1880
AFB2065X	2000	600	500	446	490	1880
AFB2084X	2000	800	400	346	690	1880
AFB2085X	2000	800	500	446	690	1880
AFB20A4X	2000	1000	400	346	890	1880
AFB20A5X	2000	1000	500	446	890	1880



AFX SERIES ENCLOSURES

AFB - Monoblock enclosure double door

The AFB ... X cabinet with single door is complete with:

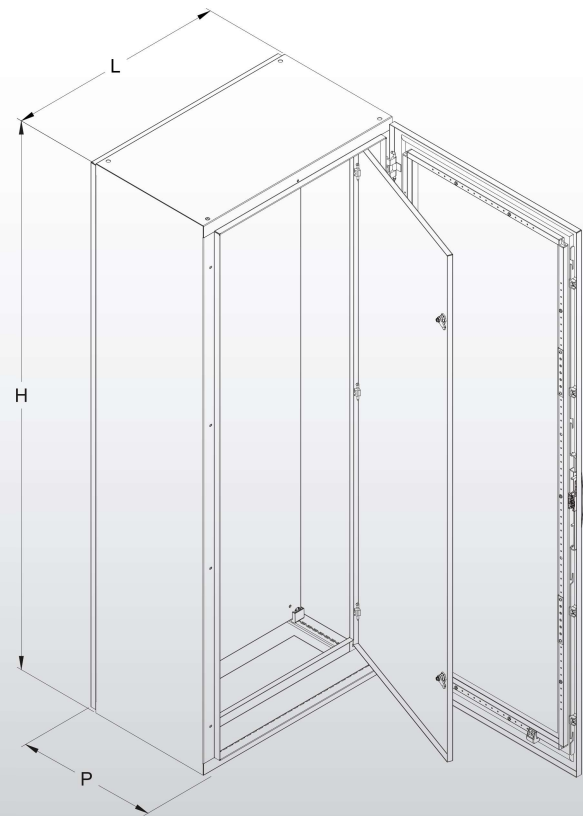
- fully welded **AF...X** monoblock frame, uprights and internal currents recreating the symmetries of the OK series profiles, cable entry compartment on the bottom with sliding flanges
- couple of blind door code **DBE...X** with 120 ° opening, internal frame reinforcement with zamak corners, polyurethane gasket and lever lock, double flap 3 mm
- blind screwed rear panel code **RPE...X**
- internal plate in galvanized sheet. code **PNA** (page 16)

Elements to be ordered separately:

- Lifting eyebolts (page 57)
- Plinth **ZAK...X** + **FLK...X** H=100 mm/200 mm) (page 18)

CODE	Nominal dimensions			Other dimensions		Inner plate	
	H	L	P	F	R	X	Y
AFB12C4X	1200	1200	400	346	1192	1090	1080
AFB14C4X	1400	1200	400	346	1192	1090	1280
AFB16C4X	1600	1200	400	346	1192	1090	1480
AFB18C4X	1800	1200	400	346	1192	1090	1680
AFB18C5X	1800	1200	500	446	1192	1090	1680
AFB18E4X	1800	1600	400	346	792 ⁽¹⁾	749 ⁽¹⁾	1680
AFB18E5X	1800	1600	500	446	792 ⁽¹⁾	749 ⁽¹⁾	1680
AFB20C4X	2000	1200	400	346	1192	1090	1880
AFB20C5X	2000	1200	500	446	1192	1090	1880
AFB20E5X	2000	1600	500	446	792 ⁽¹⁾	749 ⁽¹⁾	1880

Notes: - For enclosures l=1600 mm there are two rear panels and the frame has a central vertical upright;
 - Enclosures width l=1600 mm have two screwed mounting plates;
 - Dimensional features of mounting plates are at page 16



AFX SERIES ENCLOSURES

AFV – Monoblock enclosure with glazed door

AFV enclosures are supplied with:

- Monoblock frame with cable entry and flanges
- Glazed door **DTE...X** opening 120°, espanolette locking, 3 mm double bar
- Inner blind door **DBI...X**
- Rear panel **RPE...X**
- Mounting plate **PNA** in galvanised steel (page 16)

Elements to be ordered separately:

- Lifting eyebolts (page 57)
- Plinth **ZAK...X** + **FLK...X** H=100/200 mm (page 18)

Enclosures Series AFV...X Single door

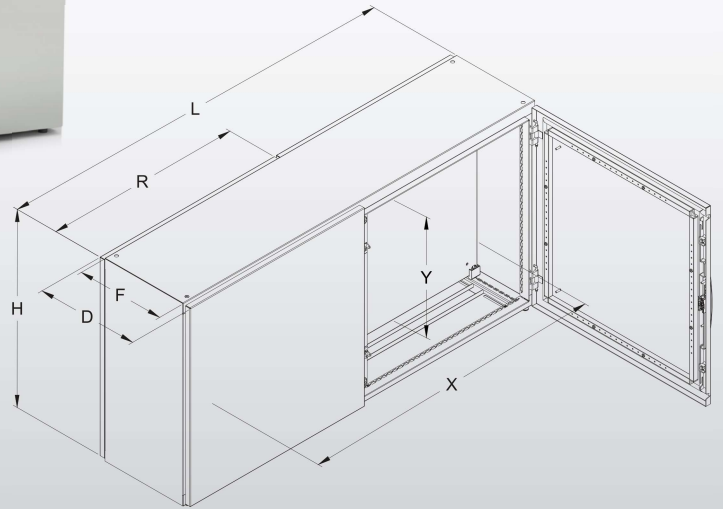
CODE	Nominal dimensions			Inner plate	
	H	L	P	X	Y
AFV1264X	1200	600	400	490	1080
AFV1284X	1200	800	400	690	1080
AFV12A4X	1200	1000	400	890	1080
AFV1464X	1400	600	400	490	1280
AFV1484X	1400	800	400	690	1280
AFV14A4X	1400	1000	400	890	1280
AFV1664X	1600	600	400	490	1480
AFV1684X	1600	800	400	690	1480
AFV16A4X	1600	1000	400	890	1480
AFV1864X	1800	600	400	490	1680
AFV1865X	1800	600	500	490	1680
AFV1884X	1800	800	400	690	1680
AFV1885X	1800	800	500	690	1680
AFV18A4X	1800	1000	400	890	1680
AFV18A5X	1800	1000	500	890	1680
AFV2064X	2000	600	400	490	1880
AFV2065X	2000	600	500	490	1880
AFV2084X	2000	800	400	690	1880
AFV2085X	2000	800	500	690	1880
AFV20A4X	2000	1000	400	890	1880
AFV20A5X	2000	1000	500	890	1880

Enclosures Series AFV...X double doors

CODE	Nominal dimensions			Other dimensions		Inner plate	
	H	L	P	F	R	X	Y
AFV12C4X	1200	1200	400	346	1192	1090	1080
AFV14C4X	1400	1200	400	346	1192	1090	1280
AFV16C4X	1600	1200	400	346	1192	1090	1480
AFV18C4X	1800	1200	400	346	1192	1090	1680
AFV18C5X	1800	1200	500	446	1192	1090	1680
AFV18E4X	1800	1600	400	346	792(!)	749(1)	1680
AFV18E5X	1800	1600	500	446	792(!)	749(1)	1680
AFV20C4X	2000	1200	400	346	1192	1090	1880
AFV20C5X	2000	1200	500	446	1192	1090	1880
AFV20E5X	2000	1600	500	446	792(!)	749(1)	1880

- Notes:**
- cabinets larger than 1000 mm have two doors;
 - doors, backs and internal plates are the same as those used on OK cabinets;
 - 95mm distance between external door and internal door.

N.B.: on request product available in AISI 316L version



AFX SERIES ENCLOSURES

AFO – Horizontal monoblock enclosures, with double doors

Monoblock enclosures AFO...X include:

- Monoblock welded frame
- Cable entry and flanges in galvanized steel
- Double front doors opening 120°
- Screwed rear panel/s
- Mounting plate/s

Elements to be ordered separately:

- lifting eyebolts, (page 57)
- Plinth **ZAK...X** + **FLK...X** h=100/200mm (page 18)

CODE	Nominal dimensions			Other dimensions	Inner plate	
	H	L	P	F	X	Y
AFO061404X	600	1400	400	346	1290	480
AFO081404X	800	1400	400	346	1290	680
AFO061604X	600	1600	400	346	1490	480
AFO081604X	800	1600	400	346	1490	680
AFO101604X	1000	1600	400	346	1490	880
AFO081804X	800	1800	400	346	1690	680
AFO101804X	1000	1800	400	346	1690	880
AFO082004X	800	2000	400	346	1890	680
AFO102004X	1000	2000	400	346	1890	880

* For H = 600 and H = 800 the locking system does not include the cariglione, but 2 double barn boxes 3mm