

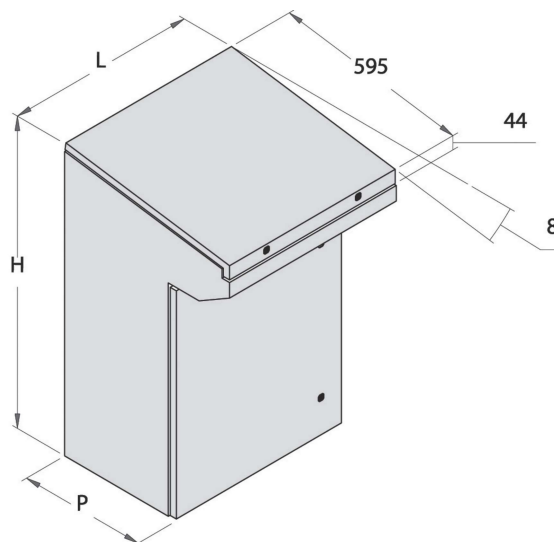
INOX CONSOLES BLC - Monoblock console

Code BLC includes:

- Structure in pressbent and welded steel sheet
- Hinged front door
- Hinged desk cover
- Inner mounting plate in galvanised steel
- Cable entry with removable plate

Additional elements:

- plinth cod. **ZAK...X** + side flanges code **FLK..X** H=100/200 mm. (page 18)



CODE	Nominal dimensions			Other dimensions				Inner plate code and Dim.		
	H	L	P	D	C	A	B	Inner code	X	Y
BLC060X	970	600	400	596	521	504	596	BLC060/P	520	910
BLC080X	970	800	400	796	721	704	796	BLC080/P	720	910
BLC100X	970	1000	400	996	921	904	496*	BLC100/P	920	910
BLC120X	970	1200	400	1196	1121	1104	596*	BLC120/P	1120	910
BLC140X	970	1400	400	1396	1321	1304	696*	BLC140/P	1320	910
BLC160X	970	1600	400	1596	1521	1504	796*	BLC160/P	1520	910