

ENCLOSURES SERIES AF

Series AF monoblock enclosures – IP55

Description: the enclosures series AF have welded monoblock frame, rear removable panels in steel sheet thick 2.0 mm, doors in steel sheet thick 2.0 mm with inner stiffening frame, and mounting plates in galvanised steel thick 2.5 mm. Along the inner periphery on the structure there are slots on regular pattern. The enclosures are supplied with cable entry flanges. Painting is powder coating type, epoxy-polyester RAL 7035 textured.

The series AF is available in the following versions:

AFB - enclosures with blind door and rear panel screwed, mounting plate

AFV - enclosure with external glazed door and inner blind door, rear panel screwed, mounting plate

AFD - enclosure with glazed external door and inner modular frame

Painting: epoxy-polyester powder coating paints

- panels: RAL 7035 textured
- plinth: RAL 7024 smooth (graphite grey)

Protection degree:

- IP55, IEC 62208 ; CEI EN 62262
- IK10, IEC 62208 ; CEI EN 62262
- Nema type 1-12: CSA22.2,941 e 942, UL508a

General technical features:

- thickness panels 15/10
- thickness door 20/10
- thickness mounting plate 25/10

Certifications:



Notes: for more technical details of AF series see page 115.

ENCLOSURES SERIES AF

AFB – Monoblock enclosure Single door

AFB enclosures with single door, include:

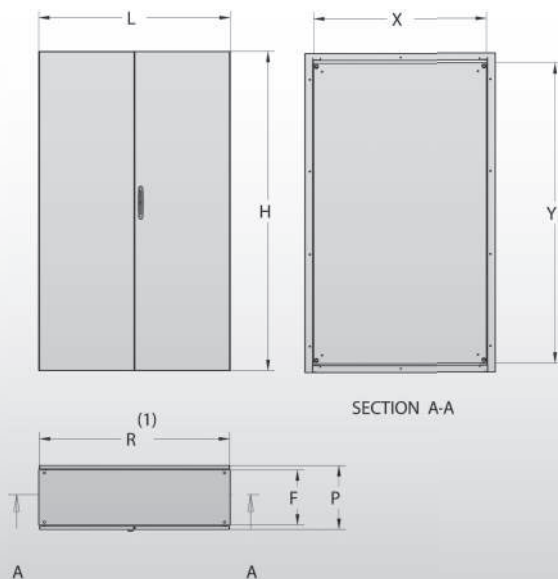
- Monoblock frame with cable entry
- Blind door **DBE** opening 120°, espanolette locking system, 3 mm double bar type (pag. 18)
- **RPE** rear panel (pag. 24)
- **PNA** mounting plate (pag. 27)

Elements to be ordered separately:

- Lifting eyebolts **GLR112** (pag. 57)
- Plinth **ZAK** H=100 mm (o 200 mm) and side flanges **FLK** (pag. 40)

CODE	Nominal dimensions			Other dimensions			Dim. Inner plate	
	H	L	P	F	Door code	Rear panel code	X	Y
AFB1264	1200	600	400	346	DBE126	RPE126	490	1080
AFB1284	1200	800	400	346	DBE128	RPE128	690	1080
AFB12A4	1200	1000	400	346	DBE12A	RPE12A	890	1080
AFB1464	1400	600	400	346	DBE146	RPE146	490	1280
AFB1484	1400	800	400	346	DBE148	RPE148	690	1280
AFB14A4	1400	1000	400	346	DBE14A	RPE14A	890	1280
AFB1664	1600	600	400	346	DBE166	RPE166	490	1480
AFB1684	1600	800	400	346	DBE168	RPE168	690	1480
AFB16A4	1600	1000	400	346	DBE16A	RPE16A	890	1480
AFB1864	1800	600	400	346	DBE186	RPE186	490	1680
AFB1865	1800	600	500	446	DBE186	RPE186	490	1680
AFB1884	1800	800	400	346	DBE188	RPE188	690	1680
AFB1885	1800	800	500	446	DBE188	RPE188	690	1680
AFB18A4	1800	1000	400	346	DBE18A	RPE18A	890	1680
AFB18A5	1800	1000	500	446	DBE18A	RPE18A	890	1680
AFB2064	2000	600	400	346	DBE206	RPE206	490	1880
AFB2065	2000	600	500	446	DBE206	RPE206	490	1880
AFB2084	2000	800	400	346	DBE208	RPE208	690	1880
AFB2085	2000	800	500	446	DBE208	RPE208	690	1880
AFB20A4	2000	1000	400	346	DBE20A	RPE20A	890	1880
AFB20A5	2000	1000	500	446	DBE20A	RPE20A	890	1880

Notes: - Enclosures W<1000 mm have single door;
- Doors, rear panels and mounting plates are suitable for use on the OK series



ENCLOSURES SERIES AF

AFB - Monoblock enclosure Double door

AFB enclosures with double doors are supplied with:

- monoblock frame with cable entry and flange
- pair of blind doors **DBE** 120° opening (pag. 18)
- rear panel screwed **RPE** (pag. 24)
- mounting plates in galvanised steel code **PNA** (pag. 27)

Elements to be ordered separately:

- Lifting eyebolts **GLR112** (pag. 57)
- Plinth **ZAK + FLK** H=100 mm (also available H=200 mm) (pag. 40)

CODE	Nominal dimensions			Other dimensions				Dim. Inner plate	
	H	L	P	F	R	Door code	Rear panel code	X	Y
AFB12C4	1200	1200	400	346	1192	DBE12C	RPE12C	1090	1080
AFB14C4	1400	1200	400	346	1192	DBE14C	RPE14C	1090	1280
AFB16C4	1600	1200	400	346	1192	DBE16C	RPE16C	1090	1480
AFB18C4	1800	1200	400	346	1192	DBE18C	RPE18C	1090	1680
AFB18C5	1800	1200	500	446	1192	DBE18C	RPE18C	1090	1680
AFB18E4	1800	1600	400	346	792(1)	DBE18E	RPE18E	749(1)	1680
AFB18E5	1800	1600	500	446	792(1)	DBE18E	RPE18E	749(1)	1680
AFB20C4	2000	1200	400	346	1192	DBE20C	RPE20C	1090	1880
AFB20C5	2000	1200	500	446	1192	DBE20C	RPE20C	1090	1880
AFB20E5	2000	1600	500	446	792(1)	DBE20E	RPE20E	749(1)	1880

Note: - (1) For enclosures l=1600 mm there are two rear panels and the frame has a central vertical upright;
 - (2) Enclosures width l=1600 mm have two screwed mounting plates.

ENCLOSURES SERIES AF

AFV - Monoblock enclosure with glazed door

AFV enclosures are supplied with:

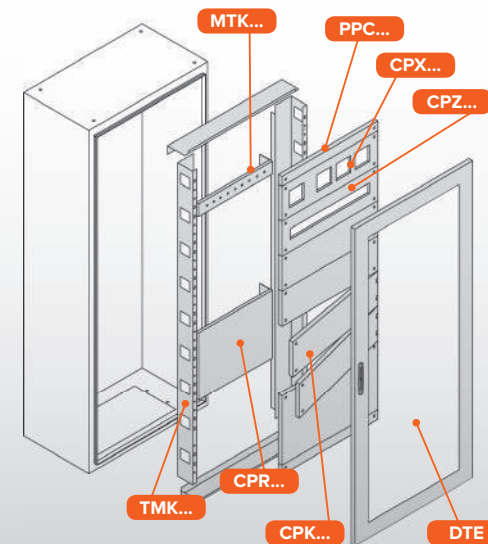
- Monoblock frame with cable entry and flanges
- Glazed door **DTE** opening 120° (pag. 19), espanolette locking, 3 mm double bar
- Inner blind door **DBI** (pag. 21)
- Rear panel **RPE** (pag. 24)
- Mounting plate **PNA** in galvanised steel (pag. 27)

Elements to be ordered separately:

- Lifting eyebolts **GLR112** (pag. 57)
- Plinth **ZAK + FLK** H=100 mm (also available H=200 mm) (pag. 40)

CODE	Nominal dimensions			Other dimensions			Dim. Inner plate	
	H	L	P	Glazed door code	Inner door code	Rear panel code	X	Y
AFV1264	1200	600	400	DTE126	DBI126	RPE126	490	1080
AFV1284	1200	800	400	DTE128	DBI128	RPE128	690	1080
AFV12A4	1200	1000	400	DTE12A	DBI12A	RPE12A	890	1080
AFV1464	1400	600	400	DTE146	DBI146	RPE146	490	1280
AFV1484	1400	800	400	DTE148	DBI148	RPE148	690	1280
AFV14A4	1400	1000	400	DTE14A	DBI14A	RPE14A	890	1280
AFV1664	1600	600	400	DTE166	DBI166	RPE166	490	1480
AFV1684	1600	800	400	DTE168	DBI168	RPE168	690	1480
AFV16A4	1600	1000	400	DTE16A	DBI16A	RPE16A	890	1480
AFV1864	1800	600	400	DTE186	DBI186	RPE186	490	1680
AFV1865	1800	600	500	DTE186	DBI186	RPE186	490	1680
AFV1884	1800	800	400	DTE188	DBI188	RPE188	690	1680
AFV1885	1800	800	500	DTE188	DBI188	RPE188	690	1680
AFV18A4	1800	1000	400	DTE18A	DBI18A	RPE18A	890	1680
AFV18A5	1800	1000	500	DTE18A	DBI18A	RPE18A	890	1680
AFV2064	2000	600	400	DTE206	DBI206	RPE206	490	1880
AFV2065	2000	600	500	DTE206	DBI206	RPE206	490	1880
AFV2084	2000	800	400	DTE208	DBI208	RPE208	690	1880
AFV2085	2000	800	500	DTE208	DBI208	RPE208	690	1880
AFV20A4	2000	1000	400	DTE20A	DBI20A	RPE20A	890	1880
AFV20A5	2000	1000	500	DTE20A	DBI20A	RPE20A	890	1880

Note: - cabinets larger than 1000 mm have two doors;
 - doors, backs and internal plates are the same as those used on OK cabinets;
 - 95mm distance between external door and internal door.



ENCLOSURES SERIES AF AFV - Enclosure with double glazed doors

AFV enclosures are supplied with:

- Monoblock frames with cable entry and flanges
- **DTE** double glazed doors, opening 120°, espanolette locking system, double bar 3mm (pag. 19)
- **DBI** double inner doors opening 110°, (pag. 21)
- **RPE** rear panel (pag. 24)
- **PNA** mounting plate in galvanised steel (pag. 27)

Elements to be ordered separately:

- Lifting eyebolts **GLR112** (pag. 57)
- Plinth **ZAK + FLK** H=100 mm (also H=200 mm), (pag. 40)

Note:

- Enclosures width 1600 mm have a rear intermediate upright and a pair of rear panels
- the doors, the backs and the mounting plates are the same as those used on the OK series

CODE	Nominal dimensions			Other dimensions and codes					
	H	L	P	R	CODE glazed doors	CODE inner doors	CODE back panel	X	Y
AFV12C4	1200	1200	400	1192	DTE12C	DBI12C	RPE12C	1090	1080
AFV14C4	1400	1200	400	1192	DTE14C	DBI14C	RPE14C	1090	1280
AFV16C4	1600	1200	400	1192	DTE16C	DBI16C	RPE16C	1090	1480
AFV18C4	1800	1200	400	1192	DTE18C	DBI18C	RPE18C	1090	1680
AFV18C5	1800	1200	500	1192	DTE18C	DBI18C	RPE18C	1090	1680
AFV18E4	1800	1600	400	792(1)	DTE18E	DBI18E	RPE18E	749(2)	1680
AFV18E5	1800	1600	500	792(1)	DTE18E	DBI18E	RPE18E	749(2)	1680
AFV20C4	2000	1200	400	1192	DTE20C	DBI20C	RPE20C	1090	1880
AFV20C5	2000	1200	500	1192	DTE20C	DBI20C	RPE20C	1090	1880
AFV20E5	2000	1600	500	792(1)	DTE20E	DBI20E	RPE20E	749(2)	1880

- Notes:**
- the rear panels for wardrobes l = 1600 mm are two and the frame is intended with a central upright on the back
 - there are two wiring plates for cabinets l = 1600 mm, coupled and screwed together
 - the dimensional characteristics of the doors, rear panels and plates are the same as those of the OK series cabinets

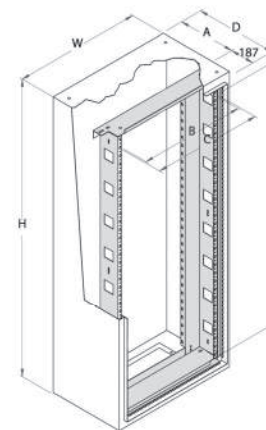
ENCLOSURES SERIES AF AFD - Enclosures with modular inner frame

AFD enclosures are supplied with:

- Monoblock frame
- cable entry with removable flanges
- **DTE** glazed door (pag.19)
- **RPE** rear screwed panel (pag. 24)
- **TMI** modular inner frame
- Mounting plate **PNA** in galvanised steel (pag. 27)

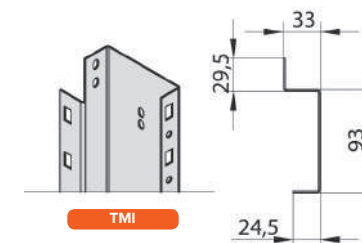
Note:

- for details of the internal modular system (pag. 80 see following)

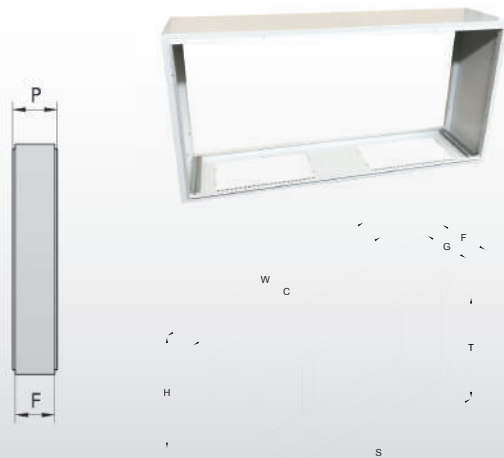


CODE	Nominal dimensions			Other dimensions			
	H	L	P	A	B	C	N
AFD1264	1200	600	400	200	440	465	1000
AFD1284	1200	600	400	200	440	465	1000
AFD1464	1400	600	400	200	440	465	1200
AFD1484	1400	800	400	200	640	665	1200
AFD1664	1600	600	400	200	440	465	1400
AFD1684	1600	800	400	200	640	665	1400
AFD1864	1800	600	400	200	440	465	1600
AFD1865	1800	600	500	300	440	465	1600
AFD1884	1800	800	400	200	640	665	1600
AFD1885	1800	800	500	300	640	665	1600
AFD2064	2000	600	400	200	440	465	1800
AFD2065	2000	600	500	300	440	465	1800
AFD2084	2000	800	400	200	640	665	1800
AFD2085	2000	800	500	300	640	665	1800

FEATURES FEATURES MODULAR FRAME



- Note:**
- "N" is the total height to be filled with modular panels, the necessary compensation panels h=50mm each are not included in this dimension
 - B distance between modular frame elements
 - C distance between modular frame elements



ENCLOSURES SERIES AF AF - Monoblock frame

AF frame includes:

- Frame in pressbent and welded steel sheet
- Cable entry with flanges
- possibility of installing lifting eyebolts, plinths, various additional components

Notes: Frames width=1600 mm have an intermediate rear upright

AF series Horizontal enclosures frames

CODE	Nominal dimensions			Other dimensions				
	H	L	P	F	G	I	S	T
AF061404	600	1400	400	356	320	1328	1301	511
AF081404	800	1400	400	356	320	1328	1301	711
AF061604	600	1600	400	356	320	1528	1501	511
AF081604	800	1600	400	356	320	1528	1501	711
AF101604	1000	1600	400	356	320	1528	1501	911
AF081804	800	1800	400	356	320	1728	1701	711
AF101804	1000	1800	400	356	320	1728	1701	911
AF082004	800	2000	400	356	320	1928	1901	711
AF102004	1000	2000	400	356	320	1928	1901	911

AF series enclosures frames

CODE	Nominal dimensions			Other dimensions				
	H	L	P	F	G	I	S	T
AF1264	1200	600	400	356	320	528	501	1111
AF1284	1200	800	400	356	320	728	701	1111
AF12A4	1200	1000	400	356	320	928	901	1111
AF12C4	1200	1200	400	356	320	1128	1101	1111
AF1464	1400	600	400	356	320	528	501	1311
AF1484	1400	800	400	356	320	728	701	1311
AF14A4	1400	1000	400	356	320	928	901	1311
AF14C4	1400	1200	400	356	320	1128	1101	1311
AF1664	1600	600	400	356	320	528	501	1511
AF1684	1600	800	400	356	320	728	701	1511
AF16A4	1600	1000	400	356	320	928	901	1511
AF16C4	1600	1200	400	356	320	1128	1101	1511
AF1864	1800	600	400	356	320	528	501	1711
AF1865	1800	600	500	456	420	528	501	1711
AF1884	1800	800	400	356	320	728	701	1711
AF1885	1800	800	500	456	420	728	701	1711
AF18A4	1800	1000	400	356	320	928	901	1711
AF18A5	1800	1000	500	456	420	928	901	1711
AF18C4	1800	1200	400	356	320	1128	1101	1711
AF18C5	1800	1200	500	456	420	1128	1101	1711
AF18E4	1800	1600	400	356	320	1528	1501	1711
AF18E5	1800	1600	500	456	420	1528	1501	1711
AF2064	2000	600	400	356	320	528	501	1911
AF2065	2000	600	500	456	420	528	501	1911
AF2084	2000	800	400	356	320	728	701	1911
AF2085	2000	800	500	456	420	728	701	1911
AF20A4	2000	1000	400	356	320	928	901	1911
AF20A5	2000	1000	500	456	420	928	901	1911
AF20C4	2000	1200	400	356	320	1128	1101	1911
AF20C5	2000	1200	500	456	420	1128	1101	1911
AF20E5	2000	1600	500	456	420	1528	1501	1911

ENCLOSURES SERIES AF AFO - Horizontal monoblock enclosures, with double doors

Monoblock enclosures AFO include:

- Monoblock welded frame
- Cable entry and flanges
- Double front doors opening 120°
- Screwed rear panel/s
- Mounting plate/s

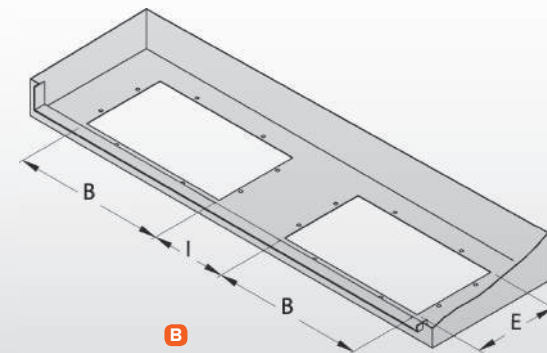
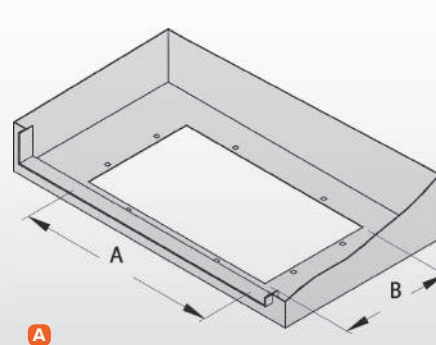
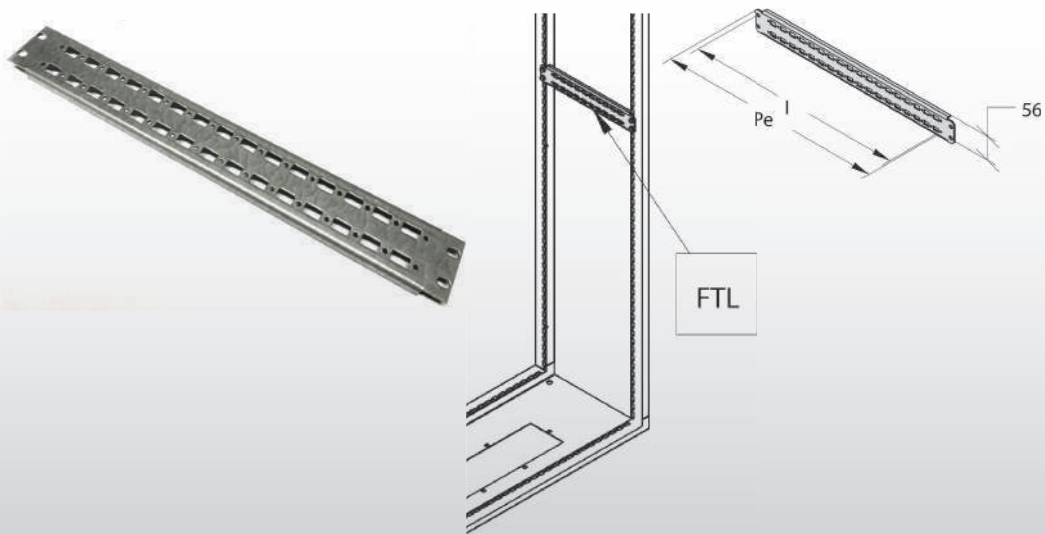
Elements to be ordered separately:

- **GLR112** eyebolts, (pag. 57)
- Plinth **ZAK** + **FLK** h=100 mm (also H= 200 mm) (pag. 40)

CODE	Nominal dimensions			Other dimensions and reference codes			Dim. Inner plate	
	H	L	P	F	CODE porta	CODE Pann. post.	X	Y
AFO061404	600	1400	400	346	DBE0614	RPE0614	1290	480
AFO081404	800	1400	400	346	DBE0814	RPE0814	1290	680
AFO061604	600	1600	400	346	DBE0616	RPE0616	1490	480
AFO081604	800	1600	400	346	DBE0816	RPE0816	1490	680
AFO101604	1000	1600	400	346	DBE1016	RPE1016	1490	880
AFO081804	800	1800	400	346	DBE0818	RPE0818	1690	680
AFO101804	1000	1800	400	346	DBE1018	RPE1018	1690	880
AFO082004	800	2000	400	346	DBE0820	RPE0820	1890	680
AFO102004	1000	2000	400	346	DBE1020	RPE1020	1890	880

Notes: enclosures width=1600 mm have a pair of screwed rear panels

* For H = 600 and H = 800 the locking system does not include the cariglione, but 2 double barn boxes 3mm



ENCLOSURES SERIES AF

FTL - Side mounting profile - Series AF

Description: it is fixed in any position to the slots of the vertical frame elements of the AF enclosures.

Code FTL includes:

- Profile FTL
- Fixing screws and cage nuts

CODE	Enclosures depth		Other dimensions	
	H	I	Pe	
FTL456	400	324	340	
FTL556	500	424	440	
FTL656	600	524	540	
FTL856	800	724	740	

ENCLOSURES SERIES AF

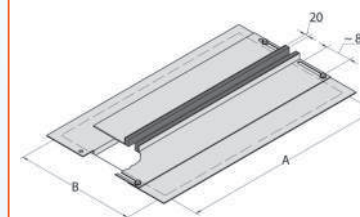
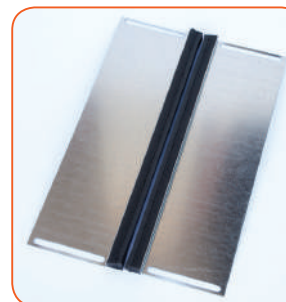
AF - Frame cable entry

CODE	Characteristic dimensions	
	A	B
AF...64	404	230
AF...84	604	230
AF...A4	804	230
AF...C4	1004	230
AF1865 AF2065	404	230
AF1885 AF2085	604	230
AF18A5 AF20A5	804	230
AF18C5 AF20C5	1004	230

CODE	Characteristic dimensions		
	A	B	I
AFB18E4 AF061604 AF081604 AF101604	604	230	195
AFB18E5 AFB20E5	604	280	195
AF081804 AF101804	604	280	295
AF082004 AF102004	804	230	195

PPG - Guillotine cable entry for enclosures series AF

Description: the PPG is installed instead of the standard cable entry flanges at the bottom of the enclosure, it guarantees additional protection against dust thanks to a rubber gasket. It is made of two adjustable parts, and can be mounted in any moment.



Cable entry AF				
L	P	CODE	A	B
400	400	PPG 404	210	220
400	500	PPG 405	210	220
600	400	PPG 604	404	230
600	500	PPG 605	404	280
600	600	PPG 606	404	380
800	400	PPG 804	604	230
800	500	PPG 805	604	280
800	600	PPG 806	604	380
1000	400	PPG 104	804	230
1000	500	PPG 105	804	280
1000	600	PPG 106	804	380
1200	400	PPG 124	1004	230
1200	500	PPG 125	1004	280
1200	600	PPG 126	1004	380
1400	500	PPG 145	1204	280
1400	600	PPG 146	1204	380

Notes: Guillotine cable entry available also for OK series of enclosures, code to be ordered is PPK... (same code type as PPG)