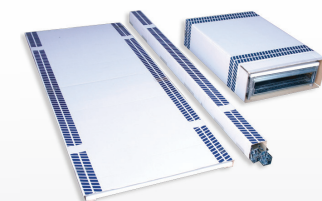
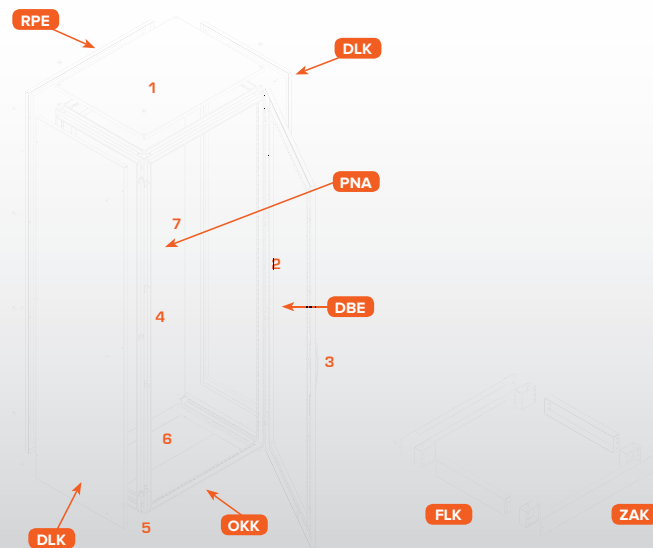
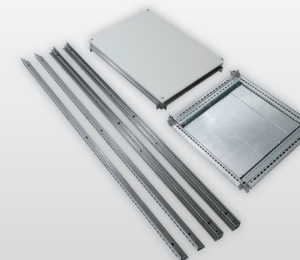




1. Removable top panel
2. Inner stiffening door profiles in galvanised steel
3. Reversible door with 4 hinges and 4 locking points
4. Frame elements with innovative symmetrical profile, in galvanised steel, Sendzimir
5. Universal corner joint in Zamak alloy
6. Cable entry compartment with guillotine entry flanges



Packaging



Frame supplied in kit

ENCLOSURES SERIES OK

Floor standing enclosures SERIES OK IP55

Description: The new series of assemblable enclosures OK is the latest product developed by Quadritalia, it is the result of a revolutionary technical project and of the newest solutions developed by our R&D Department. The dismantlable frame is made up of symmetrical elements in Sendzimir, which are manufactured on a profiling line and have no welded parts, and are not painted, ensuring a high EMC compatibility. Together with the patented orthogonal corner joint in zamak alloy, these elements guarantee the utmost stiffness of the OK structure. The OK series enclosures are available in two versions: pre-assembled (OKB), and disassembled supplied in flat pack (OKK). Both these versions can be ordered in all the configurations shown in the present catalogue, suitable for the automation and power distribution market.

Painting: with epoxy-polyester thermosetting powders

- Plinth painted RAL 7035 textured finish, epoxy polyester powder coating
- Plinth painted RAL 7024 glossy finish, epoxy polyester powder coating

Protection:

- IP55-IP65, IEC 62208 ; CEI EN 62262
- IK10, IEC 62208 ; CEI EN 62262
- Nema type 1-12: CSA22.2,941 e 942, UL508a

General technical characteristics:

- Thickness sheet of external panels 15/10
- Thickness sheet of doors 20/10
- Thickness sheet of mounting plates 25/10

Certification:



ENCLOSURES SERIES OK

OK Kit - Disassembled enclosure frame

Frame supplied as flat pack, includes:

- Set of 4 vertical uprights
- Pre-assembled base element with adjustable cable entry flanges
- Pre-assembled top element with removable panel
- Screws (16 viti M8)
- Assembling hardware
- Assembling instructions booklet

Completing elements to be ordered separately (single packaging):

- Blind door.....**DBE** (pag. 18)
- Rear panel.....**RPE** (pag. 24)
- Mounting plate.....**PNA** (pag. 27)
- Pair of side panels.....**DLK** (pag. 25)
- Plinth**ZAK + FLK** (pag. 40)
- Accessories

Supply:

- 1 pack for the set of vertical uprights
- 1 pack for the top and base elements (+ screws)

How to order a complete enclosure in flat pack version OKK

OKK	Disassembled frame complete with top and bottom elements
DBE	Blind door
RPE	Rear panel
PNA	Mounting plate
DLK	Pair of side panels
ZAK	Plinth complete with 4 corner elements, front and rear flanges
FLK	Pair of side flanges for plinth

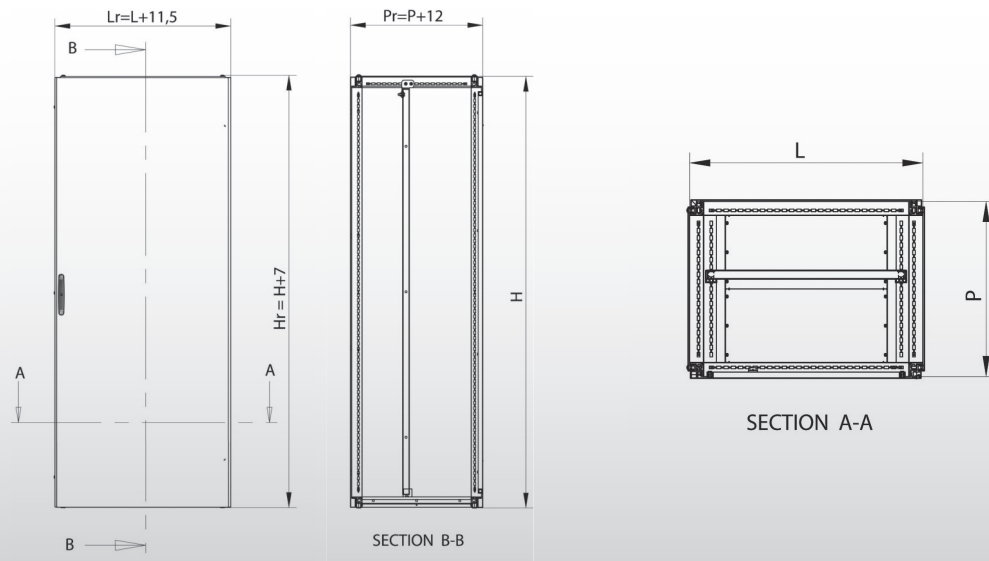
Note: for dimensions available pag. 244-245, for data sheets see page 44



FLK

ZAK

DLK



SECTION A-A

SECTION B-B

ENCLOSURES SERIES OK OK Basic - Pre-assembled enclosure

Description: complete pre-assembled frame, including top removable panel and adjustable cable entry flanges, blind door 2.0 mm thick, with 3.0 mm double bar locking system, rear panel 2.0 mm thick and mounting plate 2.5 mm thick

Paint: epoxy-polyester powder coating, RAL 7035 textured finish (all external panels)

Supply: 1 pack

Common completing elements:

- Plinth..... **ZAK + FLK** (pag. 40)
- Pair of side panels **DLK** (pag. 25)

Product variants:

- Glazed door **DTE**(pag. 19)
- Inner door **DBI**(pag. 21)
- Side door **FPK**(pag. 22)
- Single side pane **SLK**.....(pag. 25)
- Wide mounting plate **PMB**(pag. 34)
- Modular elements(pag. 81-85)
- Lifting eyebolts(pag. 57)
- Baying kit(pag. 54-55)
- Other accessories, inner profiles, brackets etc...

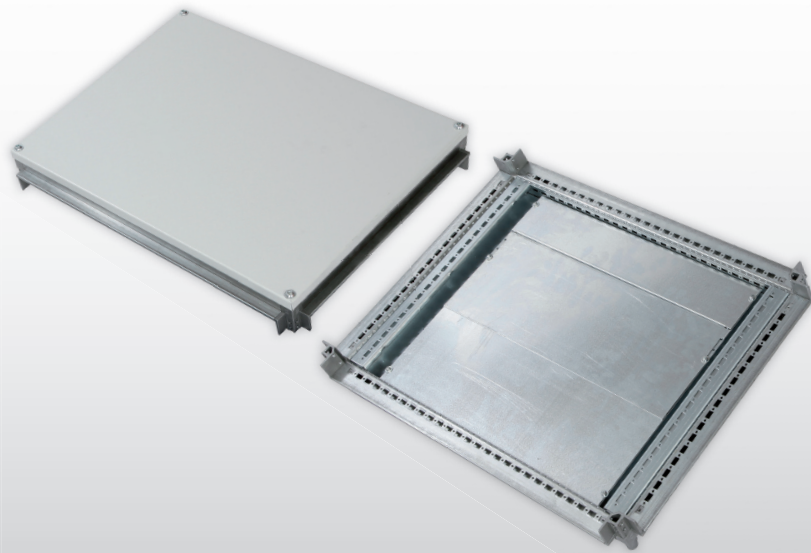
Note: for details on dimensions available, see page 44, for information on nominal and real dimensions see page. 238 and following.

ENCLOSURES SERIES OK Nominal and real dimensions

Dimensions H, L, P are nominal; indicate the standardized reference dimensions. Real dimensions differ from those, as indicated below.

- Real height $H_r = H$ nominal height + 7 mm
- Real width $L_r = W$ nominal width + 11,5 mm
- Real depth $P_r = D$ nominal depth+ 12 mm

In case of enclosures joined together, the gasket between them will increase total width by 1±1,5 mm.



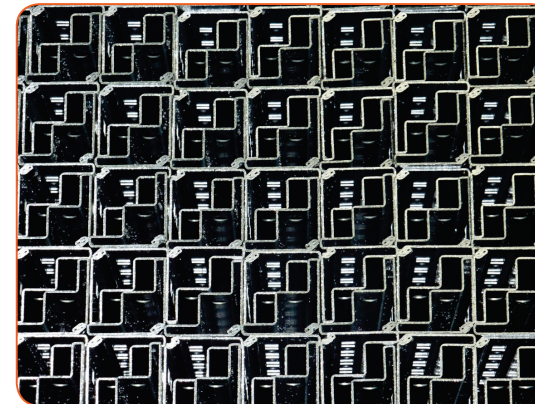
ENCLOSURES SERIES OK
OKK - Roof and bottom kit

Description: the patented frame is the other fundamental element at the base of OK technology, the new and innovative series of Quadritalia cabinets. It is realized thanks to very high performance profiling systems thanks to which it is possible to obtain its unique design. Taking advantage of a combination of mechanical forces, once the uprights and the currents are inserted into the joint, the frame assumes a rigidity that is unmatched by the modular cabinets on the market, while guaranteeing excellent flexibility.

In the "flat pack" solution the roof and the bottom can be ordered separately from the rest of the components of the OK frame with the OKK code ... It, together with the MTK ... code, which indicates the uprights of the cabinet, makes up the complete OK frame series .

ENCLOSURES SERIES OK
MTK.../4 - Vertical uprights kit

Description: in the "flat pack" formula the uprights can be ordered separately from the rest of the components of the OK frame with the MTK code ... It, together with the OKK ... code, which indicates the roof and the bottom of the cabinet, makes up the complete frame series OK.



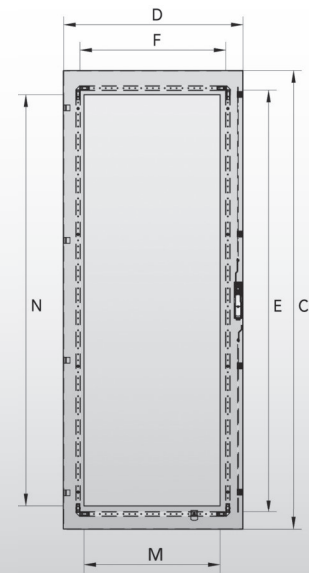
CODE	Nominal dimensions
	H
MTK 140/4	1400
MTK 160/4	1600
MTK 180/4	1800
MTK 200/4	2000
MTK 220/4	2200



DBE single door



DBE double blind doors



ENCLOSURES SERIES OK/AF/AS

DBE - Blind door

Description: the DBE doors are used on the OK series, as well as on the monoblock enclosures series AS and AF. They are made up of metal steel sheet thick 2.0 mm, the supply includes 4 hinges allowing 120° opening and are symmetrical, so the door is fully reversible. The two-component polyurethane gasket is foamed on an external perimeter respect to the locking system, in compliance with IP55 degree of protection. DBE doors include also an inner stiffening frame completely galvanised. The standard locking system is espanolette, 3 mm double bar type.

DBE code includes:

- Blind door painted RAL 7035 textured, with inner stiffening frame with zama corner pieces
- Set of 4 standard hinges 120° code CAP120 (page 178)
- Set of 4 latches code NTL999 (pag. 177)
- Standard locking, espanolette system, double bar 3mm
- Set of screws and gaskets

On request: Available hinges 180° opening

CODE	Nominal dimensions		Other dimensions			
	H	L	C	D	E	F
DBE1682	1600	800	1584	392 ⁽²⁾	1415	240 ⁽²⁾
DBE1882	1800	800	1784	392 ⁽²⁾	1615	240 ⁽²⁾
DBE2082	2000	800	1984	392 ⁽²⁾	1815	240 ⁽²⁾
DBE2282	2200	800	2184	392 ⁽²⁾	2015	240 ⁽²⁾
DBE18A2	1800	1000	1784	492 ⁽²⁾	1615	340 ⁽²⁾
DBE20A2	2000	1000	1984	492 ⁽²⁾	1815	340 ⁽²⁾
DBE22A2	2200	1000	2184	492 ⁽²⁾	2015	340 ⁽²⁾

(2) Suffix indicating pairs of doors

CODE	Nominal dimensions		Other dimensions			
	H	L	C	D	E	F
DBE126	1200	600	1184	592	1015	440
DBE128	1200	800	1184	792	1015	640
DBE12A	1200	1000	1184	992	1015	340 ⁽²⁾
DBE12C	1200	1200	1184	592 ⁽²⁾	1015	440 ⁽²⁾
DBE146	1400	600	1384	592	1215	440
DBE148	1400	800	1384	792	1215	640
DBE14A	1400	1000	1384	992	1215	340 ⁽²⁾
DBE14C	1400	1200	1384	592 ⁽²⁾	1215	440 ⁽²⁾
DBE166	1600	600	1584	592	1415	440
DBE168	1600	800	1584	792	1415	640
DBE16A	1600	1000	1584	992	1415	340 ⁽²⁾
DBE16C	1600	1200	1584	592 ⁽²⁾	1415	440 ⁽²⁾
DBE184	1800	400	1784	392	1615	240
DBE186	1800	600	1784	592	1615	440
DBE188	1800	800	1784	792	1615	640
DBE18A	1800	1000	1784	992	1615	340 ⁽²⁾
DBE18C	1800	1200	1784	592 ⁽²⁾	1615	440 ⁽²⁾
DBE18D	1800	1400	1784	692 ⁽²⁾	1615	540 ⁽²⁾
DBE18E	1800	1600	1784	792 ⁽²⁾	1615	640 ⁽²⁾
DBE204	2000	400	1984	392	1815	240
DBE206	2000	600	1984	592	1815	440
DBE208	2000	800	1984	792	1815	640
DBE20A	2000	1000	1984	992	1815	340 ⁽²⁾
DBE20C	2000	1200	1984	592 ⁽²⁾	1815	440 ⁽²⁾
DBE20D	2000	1400	1984	692 ⁽²⁾	1815	540 ⁽²⁾
DBE20E	2000	1600	1984	792 ⁽²⁾	1815	640 ⁽²⁾
DBE226	2200	600	2184	592	2015	440
DBE228	2200	800	2184	792	2015	640
DBE22A	2200	1000	2184	992	2015	340 ⁽²⁾
DBE22C	2200	1200	2184	592 ⁽²⁾	2015	440 ⁽²⁾
DBE22D	2200	1400	2184	692 ⁽²⁾	2015	540 ⁽²⁾
DBE22E	2200	1600	2184	792 ⁽²⁾	2015	640 ⁽²⁾

Note: - standard opening of the doors is from the right side
- doors H=1200 and 1400 are available for enclosures AF and AS series

ENCLOSURES SERIES OK/AF/AS

DTE - Glazed door

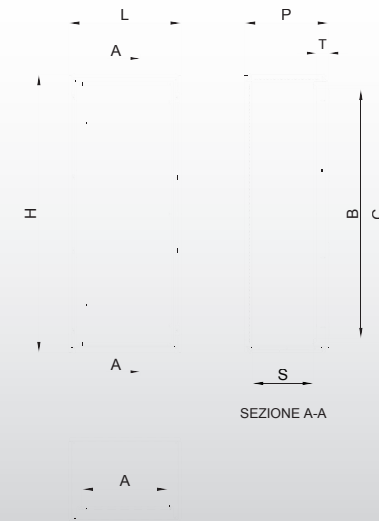
Description: the glazed doors are used on the OK series, as well as on the monoblock AS and AF series. They are made up of metal steel sheet thick 2.0 mm and have a wide plate of polymethyl metacrylate (PMMA) thick 4.0 mm, in conformity with DIN, ASTM and ISO norms. The transparent plate is fixed to the door by a double adhesive closed cell acrylic film, resistant to high temperature and impacts. The plate fixing is reinforced by galvanised brackets installed on the door inner frame. For all other characteristics please refer to (page 18).

DTE code includes:

- Glazed door, metal sheet painted RAL7035 textured, transparent plate and inner stiffening frame with corner pieces in zama
- Set of 4 standard hinges 120° CAP120 (pag. 178)
- Set of 4 latches NTL999 (pag. 177)
- Standard locking, espanolette system, double bar 3mm
- Screws and gaskets

CODE	Nominal dimensions		Other dimensions				M	N
	H	L	C	G	E	F		
DTE126	1200	600	1184	592	1015	440	390	980
DTE128	1200	800	1184	792	1015	640	590	980
DTE12A	1200	1000	1184	992	1015	840	790	980
DTE12C	1200	1200	1184	592 ⁽²⁾	1015	440 ⁽²⁾	390 ⁽²⁾	980
DTE146	1400	600	1384	592	1215	440	390	1180
DTE148	1400	800	1384	792	1215	640	590	1180
DTE14A	1400	1000	1384	992	1215	840	790	1180
DTE14C	1400	1200	1384	592 ⁽²⁾	1215	440 ⁽²⁾	390 ⁽²⁾	1180
DTE166	1600	600	1584	592	1415	440	390	1380
DTE168	1600	800	1584	792	1415	640	590	1380
DTE16A	1600	1000	1584	992	1415	840	790	1380
DTE16C	1600	1200	1584	592 ⁽²⁾	1415	440 ⁽²⁾	390 ⁽²⁾	1380
DTE186	1800	600	1784	592	1615	440	390	1580
DTE188	1800	800	1784	792	1615	640	590	1580
DTE18A	1800	1000	1784	992	1615	840	790	1580
DTE18C	1800	1200	1784	592 ⁽²⁾	1615	440 ⁽²⁾	390 ⁽²⁾	1580
DTE18E	1800	1600	1784	792 ⁽²⁾	1615	640 ⁽²⁾	590 ⁽²⁾	1580
DTE206	2000	600	1984	592	1815	440	390	1780
DTE208	2000	800	1984	792	1815	640	590	1780
DTE20A	2000	1000	1984	992	1815	840	790	1780
DTE20C	2000	1200	1984	592 ⁽²⁾	1815	440 ⁽²⁾	390 ⁽²⁾	1780
DTE20E	2000	1600	1984	792 ⁽²⁾	1815	640 ⁽²⁾	590 ⁽²⁾	1780
DTE226	2200	600	2184	592	2015	440	390	1980
DTE228	2200	800	2184	792	2015	640	590	1980
DTE22A	2200	1000	2184	992	2015	840	790	1980
DTE22C	2200	1200	2184	592 ⁽²⁾	2015	440 ⁽²⁾	390 ⁽²⁾	1980

Notes: doors H=1200 and 1400 are available for enclosures AF and AS series.
- available hinges 180° opening



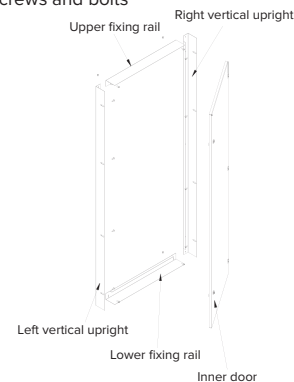
ENCLOSURES SERIES OK/AF/AS DTE - Glazed door for floor standing enclosures

CODE	Nominal dimensions		Other dimensions					
	H	L	C	D	E	F	M	N
DTE1282	1200	800	1184	392 ^(?)	1015	240 ^(?)	190 ^(?)	980
DTE12A2	1200	1000	1184	492 ^(?)	1015	340 ^(?)	290 ^(?)	980
DTE1482	1400	800	1384	392 ^(?)	1215	240 ^(?)	190 ^(?)	1180
DTE14A2	1400	1000	1384	492 ^(?)	1215	340 ^(?)	290 ^(?)	1180
DTE1682	1600	800	1584	392 ^(?)	1415	240 ^(?)	190 ^(?)	1380
DTE16A2	1600	1000	1584	492 ^(?)	1415	340 ^(?)	290 ^(?)	1380
DTE1882	1800	800	1784	392 ^(?)	1615	240 ^(?)	190 ^(?)	1580
DTE18A2	1800	1000	1784	492 ^(?)	1615	340 ^(?)	290 ^(?)	1580
DTE2082	2000	800	1984	392 ^(?)	1815	240 ^(?)	190 ^(?)	1780
DTE20A2	2000	1000	1984	492 ^(?)	1815	340 ^(?)	290 ^(?)	1780
DTE2282	2200	800	2184	392 ^(?)	2015	240 ^(?)	190 ^(?)	1980
DTE22A2	2200	1000	2184	492 ^(?)	2015	340 ^(?)	290 ^(?)	1980

ENCLOSURES SERIES OK/AF DBI - Inner door

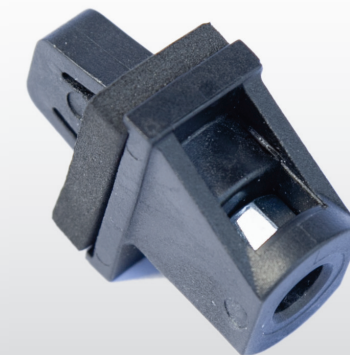
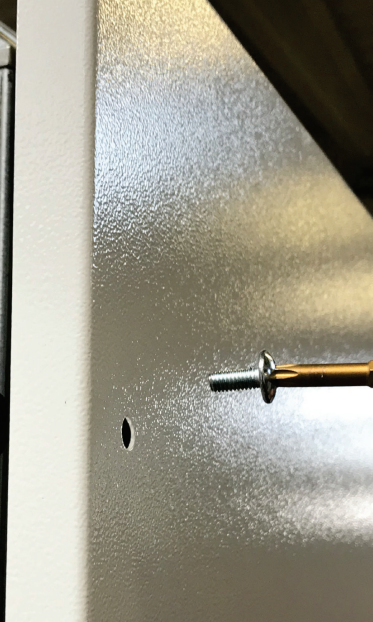
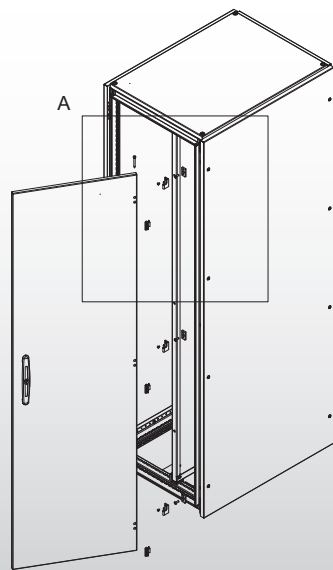
Description: the inner doors are used on the OK series, as well as on the monblock series AF. It is installed on an inner frame screwed to the elements of the frame, IP degree protection to the inner section guaranteed is IP44. The hinges allow an opening of 110° and the locking system is made of 2 x 3mm bar lock. The thickness of the door and of the frame is 2.0 mm.

- Code DBI includes:**
- Inner door painted RAL 7035 textured finish
 - Fixing frame painted RAL 7035 textured finish
 - Hinges for inner door
 - Screws and bolts



CODE	Nominal dimensions				Other dimensions						
	H	L	P	A	B	C	D	T		S	
								Min.	Max.	Min.	Max.
DBI126	1200	600	-	423	986	1044	468	72	91	P-115	P-96
DBI128	1200	800	-	623	986	1044	668	72	91	P-115	P-96
DBI12A	1200	1000	-	823	986	1044	868	72	91	P-115	P-96
DBI12C	1200	1200	-	1023	986	1044	531 ^(?)	72	91	P-115	P-96
DBI146	1400	600	-	423	1186	1244	468	72	91	P-115	P-96
DBI148	1400	800	-	623	1186	1244	668	72	91	P-115	P-96
DBI14A	1400	1000	-	823	1186	1244	868	72	91	P-115	P-96
DBI14C	1400	1200	-	1023	1186	1244	531 ^(?)	72	91	P-115	P-96
DBI166	1600	600	-	423	1386	1444	468	72	91	P-115	P-96
DBI168	1600	800	-	623	1386	1444	668	72	91	P-115	P-96
DBI16A	1600	1000	-	823	1386	1444	868	72	91	P-115	P-96
DBI16C	1600	1200	-	1023	1386	1444	531 ^(?)	72	91	P-115	P-96
DBI186	1800	600	-	423	1586	1644	468	72	91	P-115	P-96
DBI188	1800	800	-	623	1586	1644	668	72	91	P-115	P-96
DBI18A	1800	1000	-	823	1586	1644	868	72	91	P-115	P-96
DBI18C	1800	1200	-	1023	1586	1644	531 ^(?)	72	91	P-115	P-96
DBI18E	1800	1600	-	1423	1586	1644	731 ^(?)	72	91	P-115	P-96
DBI206	2000	600	-	423	1786	1844	468	72	91	P-115	P-96
DBI208	2000	800	-	623	1786	1844	668	72	91	P-115	P-96
DBI20A	2000	1000	-	823	1786	1844	868	72	91	P-115	P-96
DBI20C	2000	1200	-	1023	1786	1844	531 ^(?)	72	91	P-115	P-96
DBI20E	2000	1600	-	1423	1786	1844	731 ^(?)	72	91	P-115	P-96
DBI226	2200	600	-	423	1986	2044	468	72	91	P-115	P-96
DBI228	2200	800	-	623	1986	2044	668	72	91	P-115	P-96
DBI22A	2200	1000	-	823	1986	2044	868	72	91	P-115	P-96
DBI22C	2200	1200	-	1023	1986	2044	531 ^(?)	72	91	P-115	P-96
DBI22E	2200	1600	-	1423	1986	2044	731 ^(?)	72	91	P-115	P-96

Notes: The inner door can be installed in any position in depth thanks to these profiles PRPF (available on request).



ENCLOSURES SERIES OK

FPK - Side door

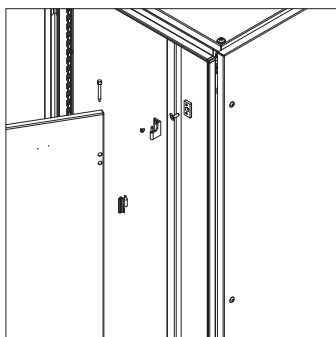
Description: lthe FPK side door is made up of steel sheet thick 2.0 mm, with inner foamed gasket IP55 in two-component polyurethane and inner stiffening frame, it is fixed to the frame by 3 external hinges allowing 180° opening, the locking system is the standard espondelette with 3mm double bar lock.

The code FPK includes:

- Side door painted RAL 7035 textured finish
- Set of distance plates for hinges and gaskets
- Set of hinges 120°
- Set of caps for the unnecessary hinges slots of the frame.

Items that can be ordered separately:

- Opening hinges set 180° (pag. 179)



DETAIL - A

CODE	Nominal dimensions		Other dimensions	
	H	L	B	A
FPK164	1600	400	1584	358
FPK165	1600	500	1584	458
FPK166	1600	600	1584	558
FPK184	1800	400	1784	358
FPK185	1800	500	1784	458
FPK186	1800	600	1784	558
FPK188	1800	800	1784	758
FPK18A	1800	1000	1784	958
FPK204	2000	400	1984	358
FPK205	2000	500	1984	458
FPK206	2000	600	1984	558
FPK208	2000	800	1984	758
FPK20A	2000	1000	1984	958
FPK224	2200	400	2184	358
FPK225	2200	500	2184	458
FPK226	2200	600	2184	558
FPK228	2200	800	2184	758
FPK22A	2200	1000	2184	958

ENCLOSURES SERIES OK

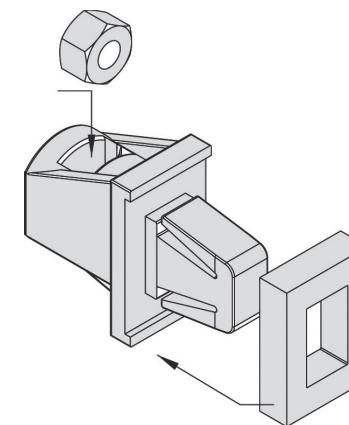
CLK013- Fixing clips series OK

Composed by:

- n° 1 nut M6
- n° 1 nylon clip
- n° 1 special gasket for IP

Set supply:

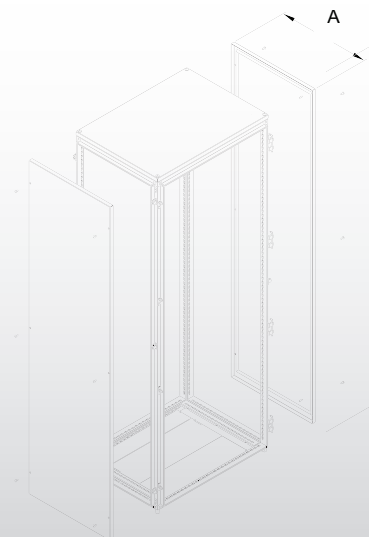
- CLK013/KITR: set of clips for rear panels (8 pc.)
- CLK013/KITF: set of clips for pair of side panels (12 pc.)





Screw fixed on clip

Fats fixing clip with gasket



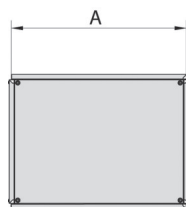
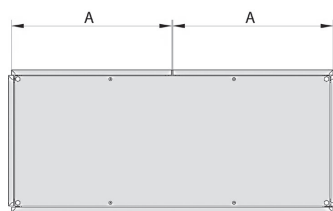
ENCLOSURES SERIES OK/AF

RPE - Rear panels

Description: the RPE rear panels are used on the OK series as well as on the AF series of monoblock enclosures. They are made up of metal steel sheet thick 2.0 mm and have 8 fixing points to the frame, the supply includes 8 fast-fixing clips CLK013. The two-component polyurethane gasket guarantees IP 55 degree of protection.

Code RPE includes:

- Rear panel painted RAL7035 textured finish
- Set of 8 fixing clips code CLK013
- Screws and gaskets



CODE	Nominal dimensions		Other dimensions	
	H	L	B	A
RPE126	1200	600	1184	592
RPE128	1200	800	1184	792
RPE12A	1200	1000	1184	992
RPE12C	1200	1200	1184	1192
RPE146	1400	600	1384	592
RPE148	1400	800	1384	792
RPE14A	1400	1000	1384	992
RPE14C	1400	1200	1384	1192
RPE166	1600	600	1584	592
RPE168	1600	800	1584	792
RPE16A	1600	1000	1584	992
RPE16C	1600	1200	1584	1192
RPE184	1800	400	1784	392
RPE186	1800	600	1784	592
RPE188	1800	800	1784	792
RPE18A	1800	1000	1784	992
RPE18C	1800	1200	1784	1192
RPE18D	1800	1400	1784	1392
RPE18E	1800	1600	1784	792 ⁽²⁾
RPE204	2000	400	1984	392
RPE206	2000	600	1984	592
RPE208	2000	800	1984	792
RPE20A	2000	1000	1984	992
RPE20C	2000	1200	1984	1192
RPE20D	2000	1400	1984	1392
RPE20E	2000	1600	1984	792 ⁽²⁾
RPE20F	2000	1800	1984	892 ⁽²⁾
RPE226	2200	600	2184	592
RPE228	2200	800	2184	792
RPE22A	2200	1000	2184	992
RPE22C	2200	1200	2184	1192
RPE22D	2200	1400	2184	1392
RPE22E	2200	1600	2184	792 ⁽²⁾

ENCLOSURES SERIES OK

DLK/SLK - Side panels

Description: the side panels are supplied as a single panel (SLK), or as a pair (DLK). They are made up of painted metal sheet thick 1.5 mm and have 6 fixing points to the frame. The gasket is in two-component polyurethane.

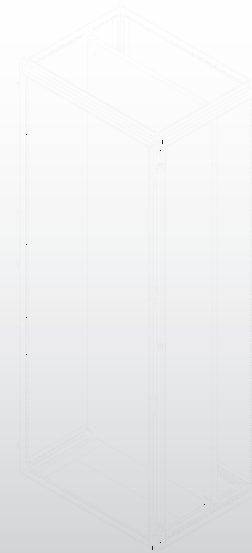
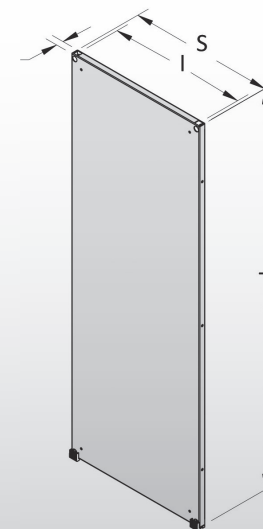
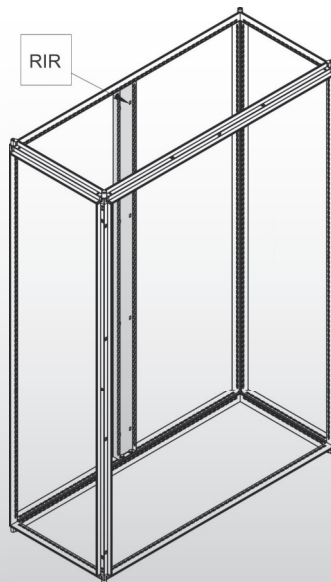
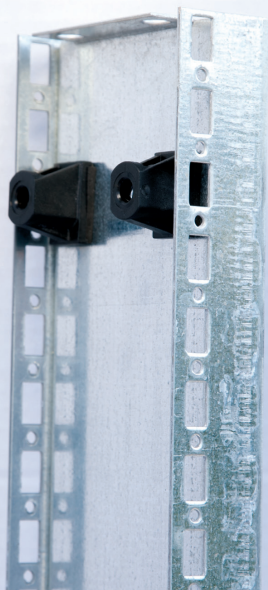
Code DLK includes:

- Pair of side panels painted RAL 7035 textured finish
- 2 Sets of 6 fixing clips CLK013
- Screws and gaskets

Code SLK includes:

- Single side panel painted RAL 7035 textured finish
- 1 Set of 6 fixing clips CLK013
- Screws and gaskets

CODE	Nominal dimensions		Other dimensions	
	H	L	B	A
DLK164/SLK164	1600	400	1584	360
DLK165/SLK165	1600	500	1584	460
DLK166/SLK166	1600	600	1584	560
DLK184/SLK184	1800	400	1784	360
DLK185/SLK185	1800	500	1784	460
DLK186/SLK186	1800	600	1784	560
DLK188/SLK188	1800	800	1784	760
DLK18A/SLK18A	1800	1000	1784	960
DLK204/SLK204	2000	400	1984	360
DLK205/SLK205	2000	500	1984	460
DLK206/SLK206	2000	600	1984	560
DLK208/SLK208	2000	800	1984	760
DLK20A/SLK20A	2000	1000	1984	960
DLK224/SLK224	2200	400	2184	360
DLK225/SLK225	2200	500	2184	460
DLK226/SLK226	2200	600	2184	560
DLK228/SLK228	2200	800	2184	760
DLK22A/SLK22A	2200	1000	2184	960



ENCLOSURES SERIES OK/AF/AS RR - Rear reinforcement for cabinets l = 1600mm

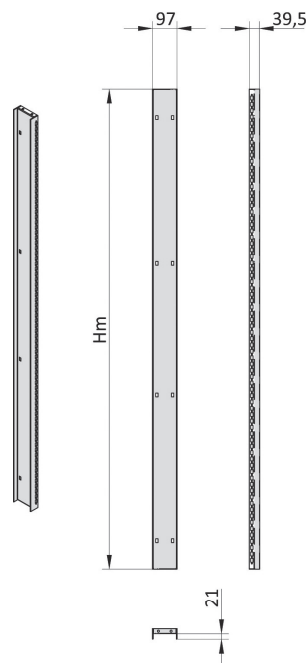
Description: The rear reinforcement for cabinets l = 1600mm is designed to act as a rear reinforcement. It is screwed to the frame currents at the point where it joins the pair of rear panels of 800mm and is designed to avoid any bending in the rear part and to guarantee structural rigidity.

The RR code includes:

- MCK central upright
- 4 cage nuts DGM900
- 4 x M6x16 hexagonal head with fake rosette

The rear RR reinforcement is already included in the code RPE..E. of the rears L = 1600mm

CODE	Nominal dimensions		Other dimensions	
	H	Hm		
RR160	1600	1495	97	
RR180	1800	1695	97	
RR200	2000	1895	97	
RR220	2200	2095	97	



ENCLOSURES SERIES OK PNA - Mounting plate

Description: the front inserted mounting plates are used on the OK series, as well as on the AF and AS monoblock series. The thickness of the galvanised metal steel sheet Sendzimir is 2,5 mm. The standard set of fixing tools allows an easy insertion and installing of the mounting plate in any intermediate depth position.

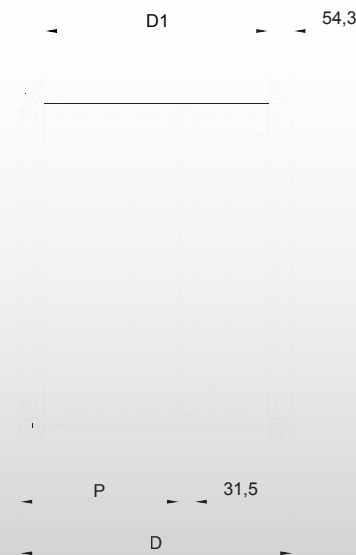
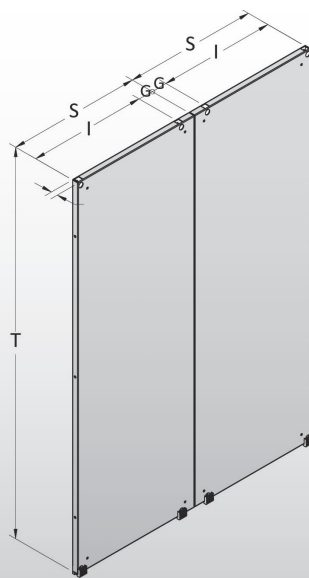
Code PNA includes:

- mounting plate in galvanised steel
- set of fixing tools PPK100, pag. 30

Notes:

- available set of tools code APK110 for installing the plate in the rearmost position (pag. 31)
- on enclosures W>1400mm the plate is supplied as pair of plates instead of one
- for PMB code, pag. 34

CODE	Nominal dimensions		Other dimensions			
	H	L	T	S	I	G
PNA126	1200	600	1080	490	452	-
PNA128	1200	800	1080	690	652	-
PNA12A	1200	1000	1080	890	852	-
PNA12C	1200	1200	1080	1090	1052	-
PNA146	1400	600	1280	490	452	-
PNA148	1400	800	1280	690	652	-
PNA14A	1400	1000	1280	890	852	-
PNA14C	1400	1200	1280	1090	1052	-
PNA166	1600	600	1480	490	452	-
PNA168	1600	800	1480	690	652	-
PNA16A	1600	1000	1480	890	852	-
PNA16C	1600	1200	1480	1090	1052	-
PNA184	1800	400	1680	290	252	-
PNA186	1800	600	1680	490	452	-
PNA188	1800	800	1680	690	652	-
PNA18A	1800	1000	1680	890	852	-
PNA18C	1800	1200	1680	1090	1052	-
PNA18D	1800	1400	1680	1290	1252	-
PNA204	2000	400	1880	290	252	-
PNA206	2000	600	1880	490	452	-
PNA208	2000	800	1880	690	652	-
PNA20A	2000	1000	1880	890	852	-
PNA20C	2000	1200	1880	1090	1052	-
PNA20D	2000	1400	1880	1290	1252	-
PNA226	2200	600	2080	490	452	-
PNA228	2200	800	2080	690	652	-
PNA22A	2200	1000	2080	890	852	-
PNA22C	2200	1200	2080	1090	1052	-
PNA22D	2200	1400	2080	1290	1252	-



ENCLOSURES SERIES OK/AF/AS PNA - Mounting plate

Description: The front inserted mounting plates are used on the OK series, as well as on the series AF and AS monoblock enclosures. The thickness of the galvanised metal steel sheet Sendzimir is 2.5 mm. The standard set of fixing tools allows an easy insertion and installing of the mounting plate in any intermediate depth position.

Code PNA includes:

- Mounting plate in galvanised steel
- Set of fixing tools PPK100, vedasi pag. 30

CODE	Nominal dimensions		Other dimensions			
	H	L	T	S	I	G
PNA18E	1800	1600	1680	749 ⁽²⁾	660 ⁽²⁾	67
PNA20E	2000	1600	1880	749 ⁽²⁾	660 ⁽²⁾	67
PNA22E	2200	1600	2080	749 ⁽²⁾	660 ⁽²⁾	67

Notes:

- Available set of tools code APK110 for installing the m.plate in the rearmost position, (pag. 31)
- On enclosures W>1400mm the m.plate is supplied as a pair of plates instead of 1 single
- For details on the wide side inserted m.plate refer to (pag. 34)
- With standard mounting kit, the plate in maximum retraction has 600mm distance from the door, while from the upright 490mm. PNA

ENCLOSURES SERIES OK PNA - Distance between external door and mounting plate

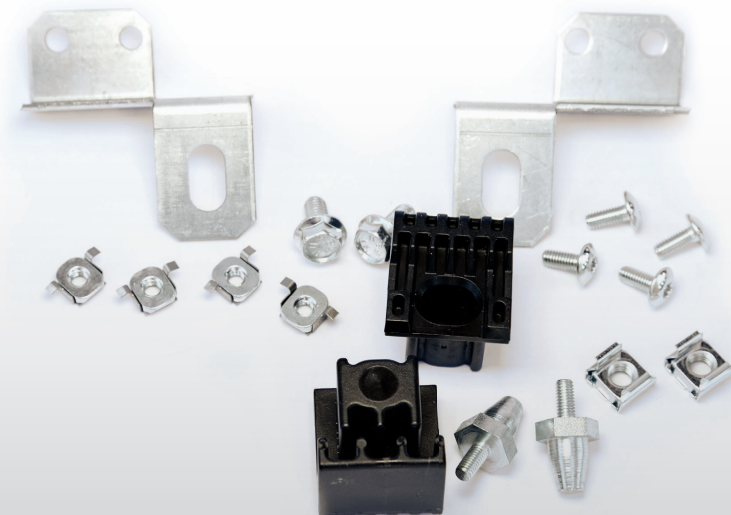
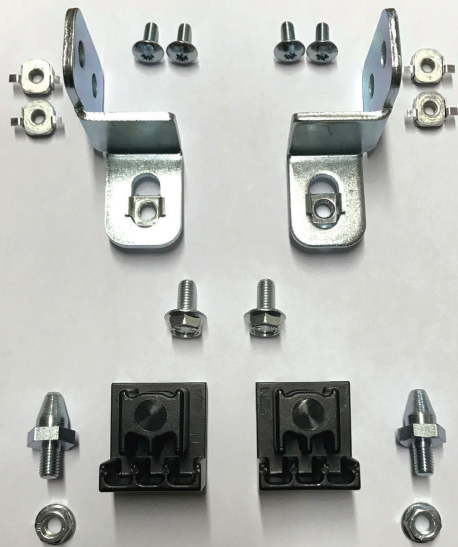
Description: the mounting plate can be installed in any intermediate position inside the enclosure thanks to the lower supporting rails.

In the table shown here, the P dimension is the minimal one available (62mm) between the external door and the surface of the mounting plate.

The D1 dimension in the table below is the available maximum distance for enclosures of nominal depth D.

Also note that, while D is the nominal depth of the frame of the enclosure, if we consider the additional depth given by the door and rear panel, the final depth will be as indicated in the column D Real (see table). D1 dimension is the space between the front and rear vertical elements of the frame.

D	D Nominale	D Reale	P		D1
			Min-	Max.	
400	400	412	62	312	304
500	500	512	62	412	404
600	600	612	62	512	504
800	800	812	62	712	704
1000	1000	1012	62	912	904
1200	1200	1212	62	1112	1104



ENCLOSURES SERIES OK

PPK100 - Assembling kit of the mounting plate on OK enclosures

Fixing of the upper brackets for the OK mounting plate:

The two brackets (left and right) (4) are fixed on the upper horizontal elements of the frame, (6).

They are fixed to the frame elements by two screws (9) M6x16 and the relevant cage nuts fixed to the frame elements. One cage nut is inserted into the slotted side of the bracket (8) and a screw M8x15 (7) is tightened on it.

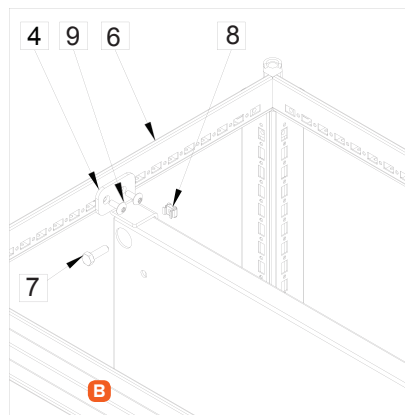
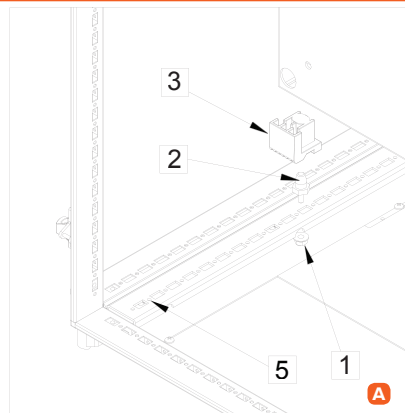
Installation of the lower fixing elements of the PNA mounting plate:

The conic pins (2) are installed on the supporting rail (5) by nuts (1) and a M8 washer.

Two high-resistant PVC sliders are mounted on the lower part of the mounting plate, they allow the plate to slide and fit on the pins, the operation is completed by fixing the upper part.

Coupling of the mounting plates:

- mount the 4 pins (see pictures above: 2) and fix them with nuts (1) in the necessary position on the lower horizontal rail (5).
- fix the 4 brackets (4) to the upper horizontal elements of the frame (6).
- install the 4 sliders (3) in the necessary openings of the mounting plates to be coupled.
- the mounting plates must be placed on the supporting rails and must slide backwards till they reach the pins, on which they have to be installed (5).
- lean the mounting plates on the upper brackets and fix it by screws (7).
- fix the coupled mounting plates together by the necessary slots on their sides, by screws and bolts.



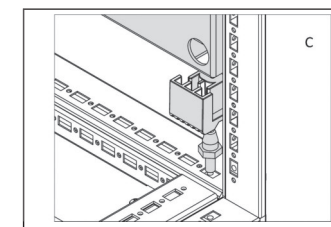
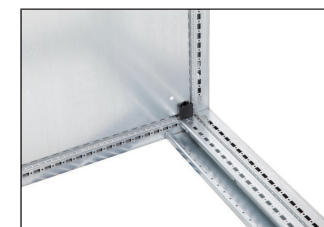
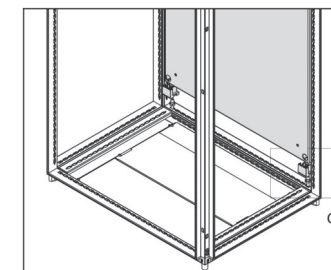
ENCLOSURES SERIES OK

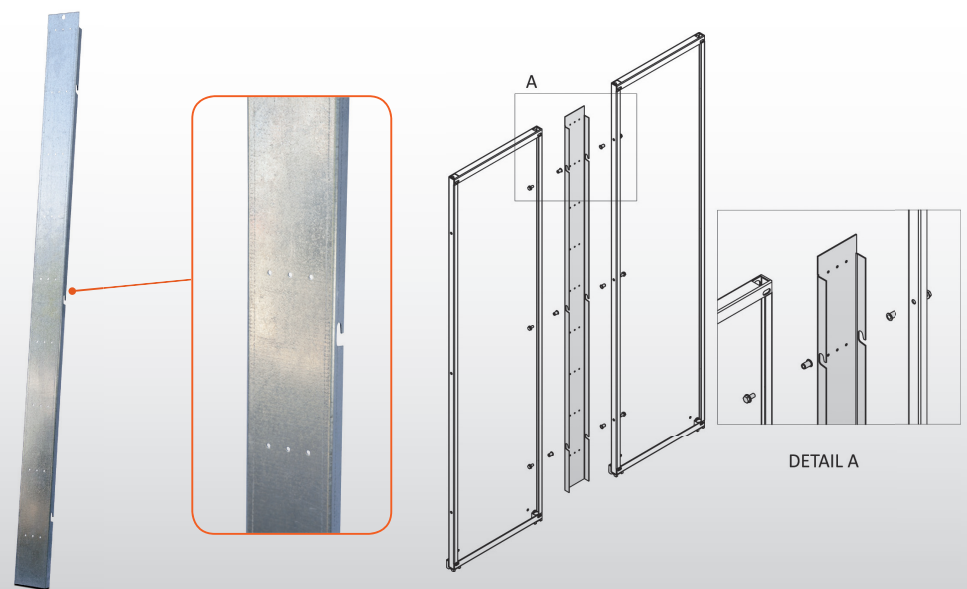
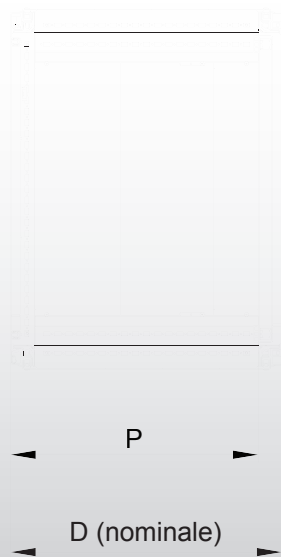
APK110 - Backspacing kit for recessed mounting plate

Description: the backspacing kit allows to install the mounting plate at the rearmost position inside the enclosure, flush to the two rear vertical elements of the frame.

Code APK110 includes:

- 2 x upper fixing brackets
- 4 x washers M8 (per specifiche pag. 186)
- 2 x screws Torx M8
- 2 x nuts M8 DGM900 for external M6
- 2 x mounting plate sliders DGM800 M8
- 2 mounting plate sliders
- 2 x fixing conic pins M6





ENCLOSURES SERIES OK PNA - APK110 Backspacing kit for recessed mounting plate

Description: the backspacing kit allows to install the mounting plate at the rearmost position inside the enclosure, flush to the two rear vertical elements of the frame.

Example: in a cabinet with a nominal depth of 800 mm, the distance between the front door and the rear panel is 812 mm (maximum in depth), while the maximum distance between the inner front door and the front surface of the inner plate is 755 mm. The internal plate backspacing kit has code APK110.

D		P
Nominale	Reale	
400	412	355
500	512	455
600	612	555
800	812	755
1000	1012	955
1200	1212	1155

Notes: the depth P is meant to be reduced by a further 20mm at the inner tubular door.

ENCLOSURES SERIES OK/AF/AS FUP - Plate filler

Description: the plate filler is made up of galvanised sheet steel thick 2.0 mm, it is fixed to 2 PNA mounting plates on enclosures series OK, AF and AS by means of a set of screws. The plate filler is supplied with holes for self-threading screws, frequently used for the wiring ducts.

- Code FUP includes:**
- 1 plate filler code FUP
 - 6 screws M8x16
 - 6 threaded inserts M8

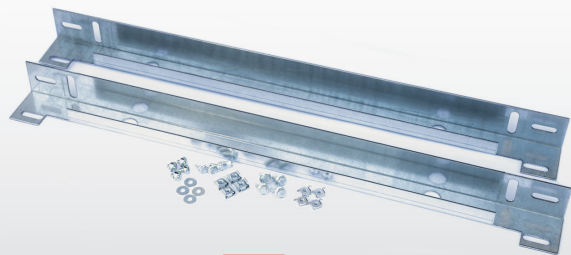
- Assembling instructions:**
- Install the mounting plates at the same depth inside the enclosures;
 - Insert the screws as shown in "detail A";
 - Insert the plate filler downwards and fix it on the screws of the side of the plates;
 - Tighten all the screws.

COD.	Dimensioni nominali		Caratteristica
	H	n°	
FUP168	1600	Kit di montaggio	
FUP188	1800	Kit di montaggio	
FUP208	2000	Kit di montaggio	
FUP228	2200	Kit di montaggio	

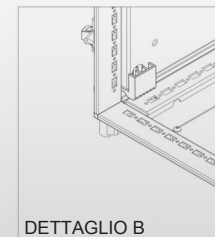
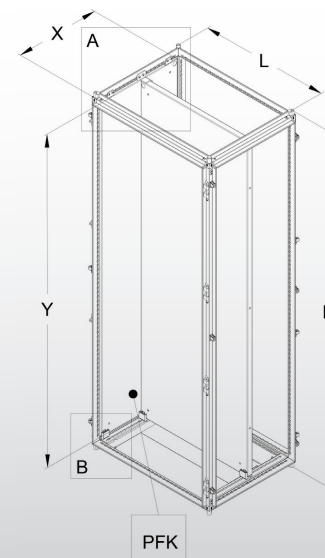


Descrizione: the relay made of galvanized sheet metal is screwed to the frame and to the FUP preventing it from escaping from its seat during transport or handling.

* not included in the "FUP" code (cod. SQZFUP).



SPK.../B



ENCLOSURES SERIES OK PMB - Wide mounting plate

Description: The mounting plate is made up of 2.5 mm thick galvanised metal sheet, its wide dimensions allow to exploit all available surface for wiring. The insertion of the plate from the side is possible thanks to an upper and lower rail installed on the frame horizontal elements. When two enclosures are joined together, the side mounting plates are screwed together, therefore the FUP plate filler is not necessary. The rails can be equipped with the additional sliding spheres code ESF158 (available on request), allowing the wide plate to be installed easily.

Code PMB includes:

- Wide mounting plate
- Pair of guides for side insertion
- 4 x Screws M6 x 16
- 8 x washer M8
- 4 x special screws M8
- 4 x nuts M8
- 4 x cage nuts M6

CODE	L
SPK040/B	400
SPK060/B	600
SPK080/B	800
SPK100/B	1000
SPK120/B	1200
SPK140/B	1400
SPK160/B	1600

CODE	Nominal dimensions		Other dimensions	
	H	L	B	A
PMB166	1600	600	1480	600
PMB168	1600	800	1480	800
PMB16A	1600	1000	1480	1000
PMB16C	1600	1200	1480	1200
PMB184	1800	400	1680	400
PMB186	1800	600	1680	600
PMB188	1800	800	1680	800
PMB18A	1800	1000	1680	1000
PMB18C	1800	1200	1680	1200
PMB18D	1800	1400	1680	1400
PMB18E	1800	1600	1680	800 ⁽²⁾
PMB18F	1800	1800	1680	900 ⁽²⁾
PMB206	2000	600	1880	600
PMB208	2000	800	1880	800
PMB20A	2000	1000	1880	1000
PMB20C	2000	1200	1880	1200
PMB20D	2000	1400	1880	1400
PMB20E	2000	1600	1880	800 ⁽²⁾
PMB226	2200	600	2080	600
PMB228	2200	800	2080	800
PMB22A	2200	1000	2080	1000
PMB22C	2200	1200	2080	1200
PMB22D	2200	1400	2080	1400

(2) indicates that the plate consists of two screwed elements.

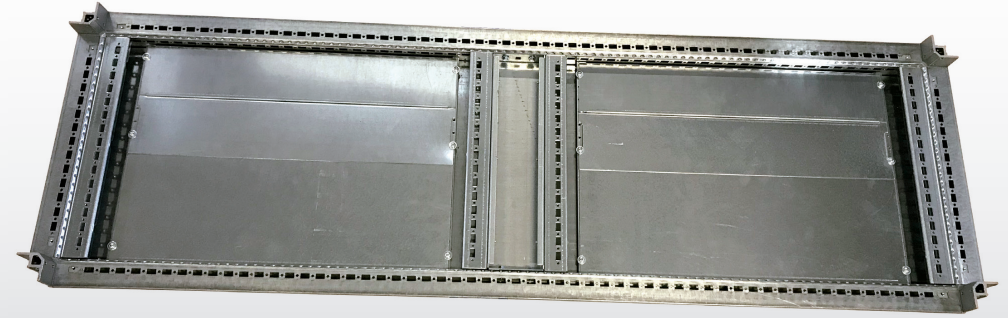
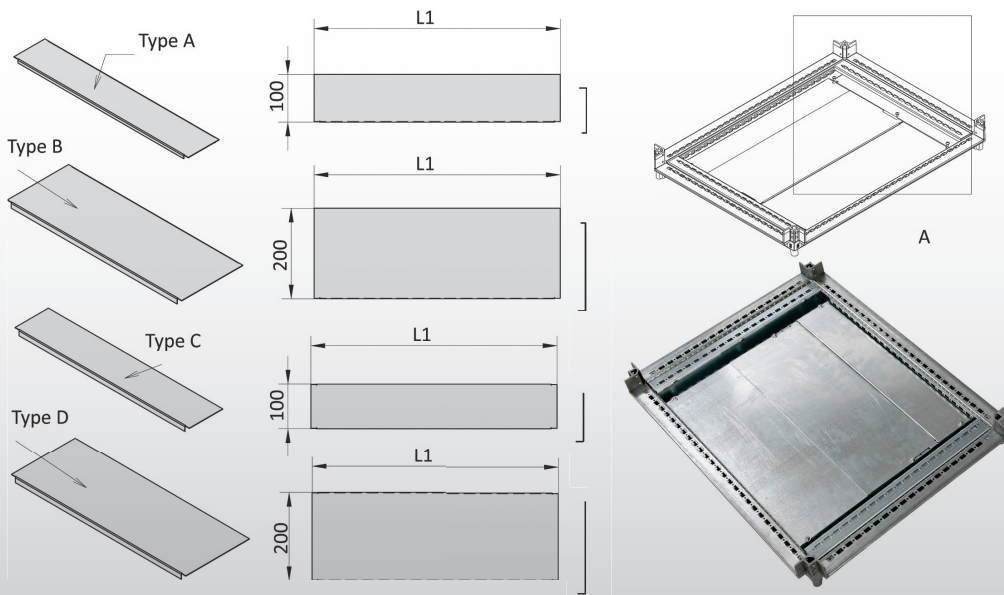
ENCLOSURES SERIES OK PFK - Side mounting plate

Description: the side mounting plate is made up of galvanised steel, it is possible to install it on the side of an OK series enclosure by means of the APK110 set of tools. (pag. 31).

Code PFK includes:

- Mounting plate PNA (pag. 27)
- APK110 assembling tools (pag. 31)

CODE	Nominal dimensions		Other dimensions	
	H	P	Y	X
PFK164	1600	400	1480	290
PFK165	1600	500	1480	390
PFK166	1600	600	1480	490
PFK184	1800	400	1680	290
PFK185	1800	500	1680	390
PFK186	1800	600	1680	490
PFK188	1800	800	1680	690
PFK18A	1800	1000	1680	890
PFK204	2000	400	1880	290
PFK205	2000	500	1880	390
PFK206	2000	600	1880	490
PFK208	2000	800	1880	690
PFK20A	2000	1000	1880	890
PFK226	2200	600	2080	490
PFK228	2200	800	2080	690
PFK22A	2200	1000	2080	890



ENCLOSURES SERIES OK

KKG - Cable entry flanges for enclosures

Descrizione: the KKG flanges are standard features of the OK enclosures, there are two types of flanges: one 100 mm (A, C) and the other is 200 mm (B, D).

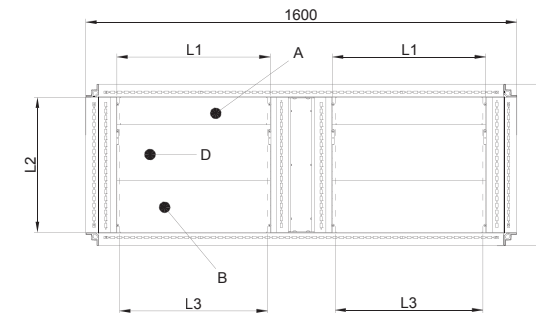
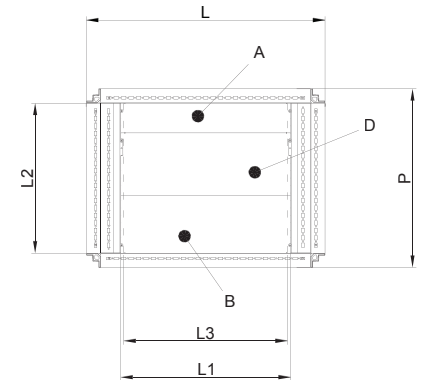
Flanges (A, B), folded on both sides, are called "fixed" and are installed at the front and back part of the base element of the enclosure. Flanges (C, D) are folded only on one side, are "mobile", and are installed in between the fixed ones, they can be adjusted in depth so to allow a guillotine entry type. Installing of the flanges is easy, as shown below, thanks to the screws used to fix them on the side supporting rails.

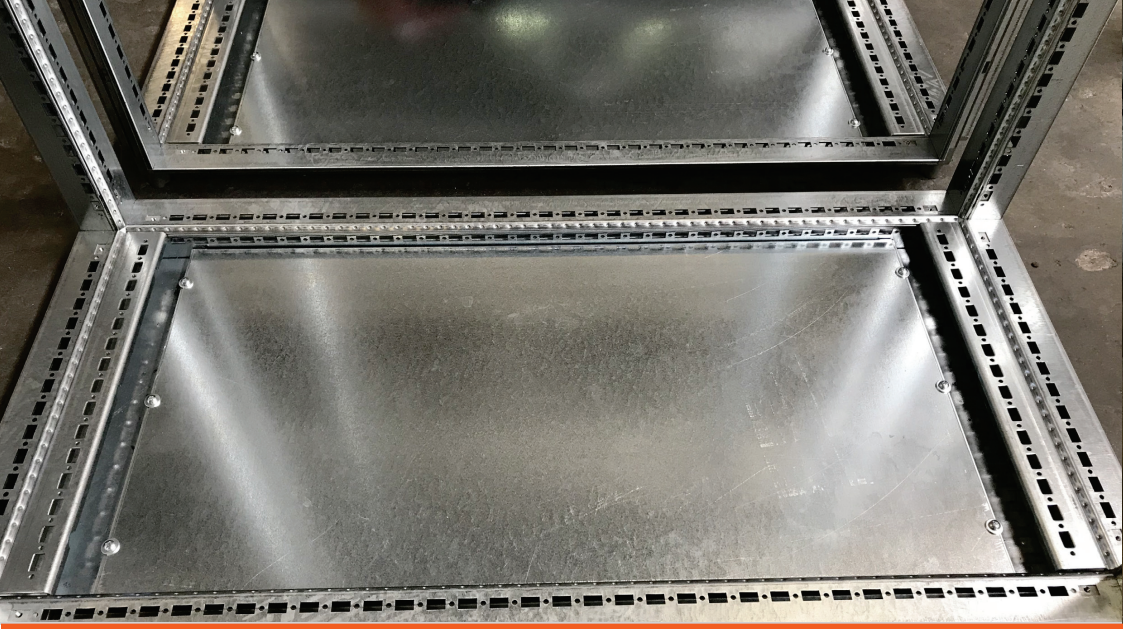
The scheme on the right shows all the available flange types.

The cable entry can be embedded with GRN202 gasket (available on request).

Panels dimensions		Depth	L1 - width					CODE					
			400 mm	600 mm	800 mm	1000 mm	1200 mm		1400 mm	1600 mm (*)			
A	C	A	-	-	-	400	KKG404	KKG604	KKG804	KKG104	KKG124	KKG144	2x KKG804
A	C	B	-	-	-	500	KKG405	KKG605	KKG805	KKG105	KKG125	KKG145	2x KKG805
A	D	B	-	-	-	600	KKG406	KKG606	KKG806	KKG106	KKG126	KKG146	2x KKG806
A	D	D	B	-	-	800	KKG408	KKG608	KKG808	KKG108	KKG128	KKG148	2x KKG808
B	D	D	B	A	-	1000	KKG40A	KKG60A	KKG80A	KKG10A	KKG12A	KKG14A	2x KKG80A
B	D	D	D	B	A	1200	KKG40C	KKG60C	KKG80C	KKG10C	KKG12C	KKG14C	2x KKG80C

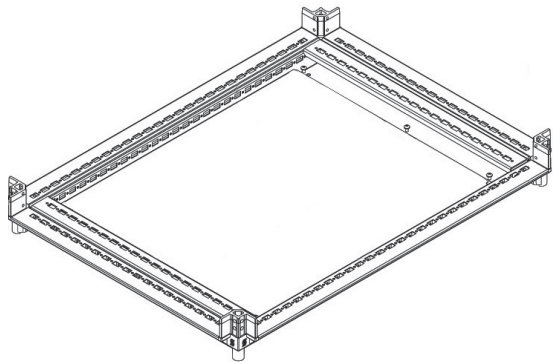
CODE	Nominal dimensions		Other dimensions		
	L	P	L1	L2	L3
KKG404	400	400	170	303	152
KKG405	400	500	170	403	152
KKG406	400	600	170	503	152
KKG408	400	800	170	703	152
KKG40A	400	1000	170	903	152
KKG604	600	400	370	303	352
KKG605	600	500	370	403	352
KKG606	600	600	370	503	352
KKG608	600	800	370	703	352
KKG60A	600	1000	370	903	352
KKG804	800	400	570	303	552
KKG805	800	500	570	403	552
KKG806	800	600	570	503	552
KKG808	800	800	570	703	552
KKG80A	800	1000	570	903	552
KKG104	1000	400	770	303	752
KKG105	1000	500	770	403	752
KKG106	1000	600	770	503	752
KKG108	1000	800	770	703	752
KKG10A	1000	1000	770	903	752
KKG124	1200	400	970	303	952
KKG125	1200	500	970	403	952
KKG126	1200	600	970	503	952
KKG128	1200	800	970	703	952
KKG12A	1200	1000	970	903	952
KKG144	1400	400	1170	303	1152
KKG145	1400	500	1170	403	1152
KKG146	1400	600	1170	503	1152
KKG148	1400	800	1170	703	1152





ENCLOSURES SERIES OK FIU - Single cable entry flange

Description: As an alternative to the galvanized sheet panels that make up the standard bottom of the cabinet, upon request, it can be made a single bottom strip that seals the lower part closet. Unlike the guillotine that allows entry of the cables only in the opening space of the panels, this accessory, once the appropriate holes have been made, it allows to place in different position the fairlead or the entry of the electric wires from different points.

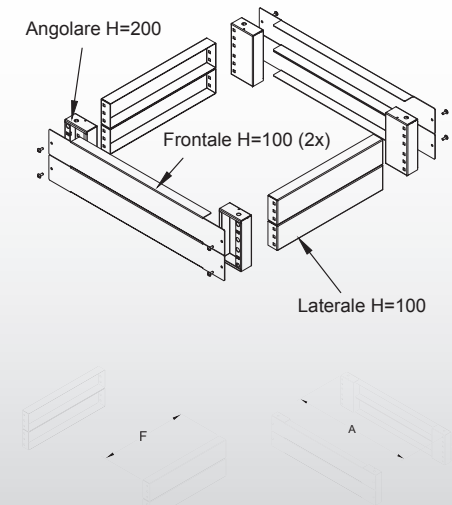
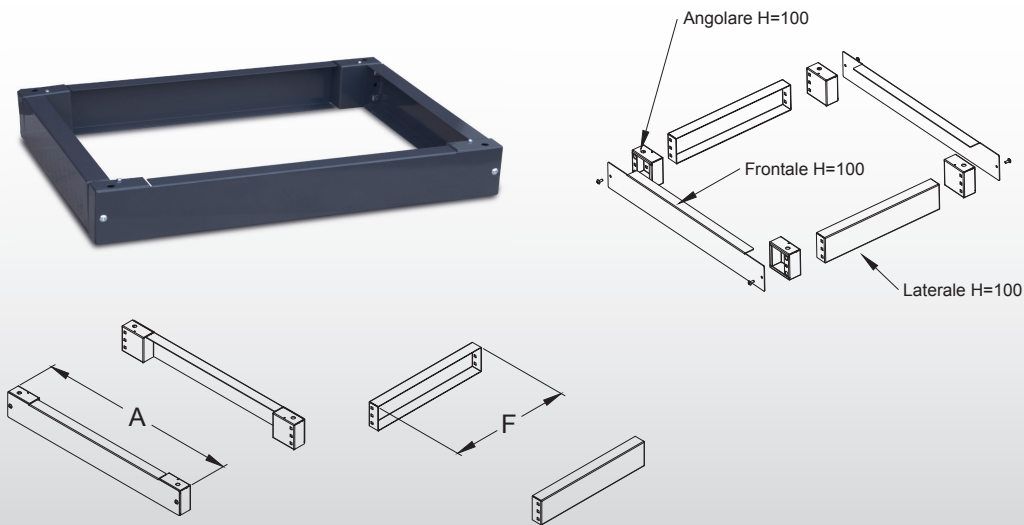


CODE	Nominal dimensions		Other dimensions		
	L	P	L1	L2	L3
FIU404	400	400	170	303	152
FIU405	400	500	170	403	152
FIU406	400	600	170	503	152
FIU408	400	800	170	703	152
FIU40A	400	1000	170	903	152
FIU604	600	400	370	303	352
FIU605	600	500	370	403	352
FIU606	600	600	370	503	352
FIU608	600	800	370	703	352
FIU60A	600	1000	370	903	352
FIU804	800	400	570	303	552
FIU805	800	500	570	403	552
FIU806	800	600	570	503	552
FIU808	800	800	570	703	552
FIU80A	800	1000	570	903	552
FIU104	1000	400	770	303	752
FIU105	1000	500	770	403	752
FIU106	1000	600	770	503	752
FIU108	1000	800	770	703	752
FIU10A	1000	1000	770	903	752
FIU124	1200	400	970	303	952
FIU125	1200	500	970	403	952
FIU126	1200	600	970	503	952
FIU128	1200	800	970	703	952
FIU12A	1200	1000	970	903	952
FIU144	1400	400	1170	303	1152
FIU145	1400	500	1170	403	1152
FIU146	1400	600	1170	503	1152
FIU148	1400	800	1170	703	1152
FIU14A	1400	1000	1170	903	1152

ENCLOSURES SERIES OK TTK - IP65 blind floor

Description: To obtain a greater degree of protection on the bottom of the cabinet it is possible to install a painted sheet metal panel at the base of the structure to completely prevent the entry of external agents coming from the floor or from below. The inside gasket adheres perfectly to the frame currents, further isolating the interior of the cabinet. This arrangement ensures that the degree of protection for IP65 cabinets is maintained.

CODE	Nominal dimensions		Other dimensions		
	L	P	L1	L2	L3
TTK404	400	400	170	303	152
TTK405	400	500	170	403	152
TTK406	400	600	170	503	152
TTK408	400	800	170	703	152
TTK40A	400	1000	170	903	152
TTK604	600	400	370	303	352
TTK605	600	500	370	403	352
TTK606	600	600	370	503	352
TTK608	600	800	370	703	352
TTK60A	600	1000	370	903	352
TTK804	800	400	570	303	552
TTK805	800	500	570	403	552
TTK806	800	600	570	503	552
TTK808	800	800	570	703	552
TTK80A	800	1000	570	903	552
TTK104	1000	400	770	303	752
TTK105	1000	500	770	403	752
TTK106	1000	600	770	503	752
TTK108	1000	800	770	703	752
TTK10A	1000	1000	770	903	752
TTK124	1200	400	970	303	952
TTK125	1200	500	970	403	952
TTK126	1200	600	970	503	952
TTK128	1200	800	970	703	952
TTK12A	1200	1000	970	903	952
TTK144	1400	400	1170	303	1152
TTK145	1400	500	1170	403	1152
TTK146	1400	600	1170	503	1152
TTK148	1400	800	1170	703	1152
TTK14A	1400	1000	1170	903	1152



ENCLOSURES SERIES OK/AF/AS e CONSOLES ZAK - Plinth H=100

Description: ZAK plinths h=100mm include 4 corner pieces made up of steel sheet thick 2.0 mm, and front and rear plates h=100 mm. They are painted RAL 7024 textured. The plinth is completed by the additional side flanges code FLK. The assembling on the enclosures is possible thanks to inspectable front and rear elements.

Code ZAK includes:

- Pair of front and rear plates H=100 mm;
- Set of 4 corner elements H=100 mm;
- Screws.

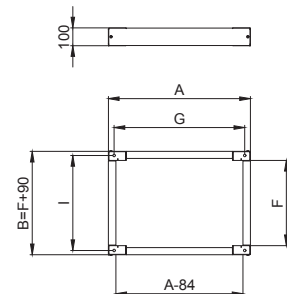
The plinth is completed with the side flanges code FLK, h=100mm.

Code FLK includes:

- Pair of side flanges H=100 mm;
- Screws.

CODE	ZAK	
	Nominal dimensions	Other dimensions
	L	A G
ZAK041	400	398 334
ZAK051	500	498 434
ZAK061	600	598 534
ZAK081	800	798 734
ZAK0A1	1000	998 934
ZAK0C1	1200	1198 1134
ZAK0D1	1400	1398 1334
ZAK0E1	1600	1598 1534

CODE	FLK	
	Nominal dimensions	Other dimensions
	L	F I
FLK12	200	75 134
FLK13	300	175 234
FLK14	400	275 334
FLK15	500	375 434
FLK16	600	475 534
FLK18	800	675 734
FLK1A	1000	875 934



Note: plinth code ZAK and side flanges code FLK are used on enclosures series OK, AF and AS and on all the series of consoles.

ENCLOSURES SERIES OK/AF/AS e CONSOLES ZAK - Plinth H=200

Description: lthe plinth h=200 mm cod. ZAK includes 4 corner pieces thick 2.0 mm and the front and double rear flanges h=100 mm each. The plinth is completed by the side flanges code FLK h=200. They are painted RAL 9005 textured. The plinth is easily inspectable and the mounting on the enclosures is easy from the front and the rear.

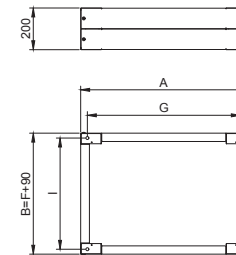
Code ZAK includes:

- 4 front/rear plates H=100 mm;
- 4 corner pieces H=200 mm;
- Screws.

The plinth is completed with a pair of side flanges h=200 code FLK:

Code FLK includes:

- 4 side flanges H=100 mm;
- Screws.



Note: plinth code ZAK and side flanges code FLK are used on enclosures series OK, AF and AS and on all the series of consoles.

CODE	FLK		
	Nominal dimensions	Other dimensions	
	L	F	I
FLK22	200	75	134
FLK23	300	175	234
FLK24	400	275	334
FLK25	500	375	434
FLK26	600	475	534
FLK28	800	675	734
FLK2A	1000	875	934

CODE	ZAK	
	Nominal dimensions	Other dimensions
	L	A G
ZAK042	400	398 334
ZAK052	500	498 434
ZAK062	600	598 534
ZAK082	800	798 734
ZAK0A2	1000	998 934
ZAK0C2	1200	1198 1134
ZAK0D2	1400	1398 1334
ZAK0E2	1600	1598 1534

ENCLOSURES SERIES OK

ZCC and FZ2 - Water-tight plinth H=200 IP55



ZCC



FZ2

Description: he ZCC plinths are supplied in height 200 mm (h=100 mm on request). It is made up of steel sheet thick 2.0 mm, and are complete with the necessary side flanges (FZ2). They guarantee the IP55 protection.

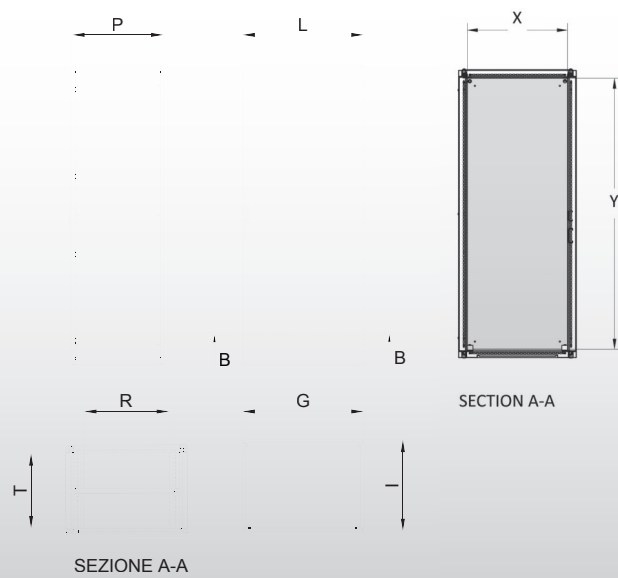
Plinth ZCC	Flanges FZ2	Nominal dimensions				Other dimensions					
		H=200	H=200	L	P	A	B	C	D	E	F
ZCC0252	FZ2500	200	500	196	460	134	434	136	400		
ZCC0262	FZ2600	200	600	196	560	134	534	136	500		
ZCC0282	FZ2800	200	800	196	760	134	734	136	700		
ZCC02A2	FZ2A00	200	1000	196	960	134	934	136	900		
ZCC0352	FZ2500	300	500	296	460	234	434	136	400		
ZCC0362	FZ2600	300	600	296	560	234	534	136	500		
ZCC0382	FZ2800	300	800	296	760	234	734	136	700		
ZCC03A2	FZ2A00	300	1000	296	960	234	934	136	900		
ZCC0442	FZ2400	400	400	396	360	334	334	136	300		
ZCC0452	FZ2500	400	500	396	460	334	434	136	400		
ZCC0462	FZ2600	400	600	396	560	334	534	136	500		
ZCC0482	FZ2800	400	800	396	760	334	734	136	700		
ZCC04A2	FZ2A00	400	1000	396	960	334	934	136	900		
ZCC0642	FZ2400	600	400	596	360	534	334	136	300		
ZCC0652	FZ2500	600	500	596	460	534	434	136	400		
ZCC0662	FZ2600	600	600	596	560	534	534	136	500		
ZCC0682	FZ2800	600	800	596	760	534	734	136	700		
ZCC06A2	FZ2A00	600	1000	596	960	534	934	136	900		
ZCC0842	FZ2400	800	400	796	360	734	334	136	300		
ZCC0852	FZ2500	800	500	796	460	734	434	136	400		
ZCC0862	FZ2600	800	600	796	560	734	534	136	500		
ZCC0882	FZ2800	800	800	796	760	734	734	136	700		
ZCC08A2	FZ2A00	800	1000	796	960	734	934	136	900		
ZCC1042	FZ2400	1000	400	996	360	934	334	136	300		
ZCC1052	FZ2500	1000	500	996	460	934	434	136	400		
ZCC1062	FZ2600	1000	600	996	560	934	534	136	500		
ZCC1082	FZ2800	1000	800	996	760	934	734	136	700		
ZCC10A2	FZ2A00	1000	1000	996	960	934	934	136	900		
ZCC1242	FZ2400	1200	400	1196	360	1134	334	136	300		
ZCC1252	FZ2500	1200	500	1196	460	1134	434	136	400		
ZCC1262	FZ2600	1200	600	1196	560	1134	534	136	500		
ZCC1282	FZ2800	1200	800	1196	760	1134	734	136	700		
ZCC12A2	FZ2A00	1200	1000	1196	960	1134	934	136	900		
ZCC1442	FZ2400	1400	400	1396	360	1334	334	136	300		
ZCC1452	FZ2500	1400	500	1396	460	1334	434	136	400		
ZCC1462	FZ2600	1400	600	1396	560	1334	534	136	500		
ZCC1482	FZ2800	1400	800	1396	760	1334	734	136	700		
ZCC14A2	FZ2A00	1400	1000	1396	960	1334	934	136	900		
ZCC1642	FZ2400	1600	400	1596	360	1534	334	136	300		
ZCC1652	FZ2500	1600	500	1596	460	1534	434	136	400		
ZCC1662	FZ2600	1600	600	1596	560	1534	534	136	500		
ZCC1682	FZ2800	1600	800	1596	760	1534	734	136	700		
ZCC16A2	FZ2A00	1600	1000	1596	960	1534	934	136	900		



ENCLOSURES SERIES OK
ZCR - Rollable plinth

Description:the roll-up plinth is specially made upon request, should your need be to slide the bayed enclosures of pictures onto roller conveyors. A basic structure with great rigidity and seal is obtained, which allows handling in a safe manner, eliminating the risk of damage or breakage during dragging. During assembly, the frames are first joined together in a configuration of enclosures, which are subsequently lifted and fixed to the base. On request it is possible to make the appropriate holes for the forklift forks or to insert the tubes for lifting. (As pictured above). The last number of the code stands for the depth of the enclosures that needs to be specified.

CODIC	Nominal dimensions	
	H	L
ZCR118.	100	1800
ZCR120.	100	2000
ZCR122.	100	2200
ZCR124.	100	2400
ZCR126.	100	2600
ZCR128.	100	2800
ZCR130.	100	3000
ZCR132.	100	3200
ZCR134.	100	3400
ZCR136.	100	3600
ZCR138.	100	3800
ZCR140.	100	4000
...and so on	100	...



ENCLOSURES SERIES OK OKB - with single blind door

Description: pre-assembled enclosure series OK, with removable top panel and adjustable cable entry flanges, with single blind door, with inner stiffening frame and corner elements in zama, polyurethane gasket, espanolette locking system, 3.0 mm double bar type.

Code OKB includes:

- Pre-assembled OK frame with top removable panel and adjustable cable entry flanges
- adjustable cable entry flanges
- External blind door DBE, metal sheet painted RAL 7035 textured finish (pag. 18)
- Rear panel screwed RPE painted RAL 7035 textured finish (pag. 24)
- Mounting plate PNA (pag. 27)

To be ordered separately:

- Plinth h=100 / h=200 code ZAK + side flanges code FLK (pag. 40)
- Side panels code DLK (pag. 25)
- Lifting eyebolts (pag. 57)

H=1600		Nominal dimensions			Characteristic dimensions				Inner plate	
OK K CODE	OK B CODE	H	L	P	G	I	R	T	X	Y
OKK1664	OKB1664	1600	600	400	534	334	349	303	490	1480
OKK1665	OKB1665	1600	600	500	534	434	349	403	490	1480
OKK1666	OKB1666	1600	600	600	534	534	349	503	490	1480
OKK1684	OKB1684	1600	800	400	734	334	549	303	690	1480
OKK1685	OKB1685	1600	800	500	734	434	549	403	690	1480
OKK1686	OKB1686	1600	800	600	734	534	549	503	690	1480
OKK16A4	OKB16A4	1600	1000	400	934	334	749	303	890	1480
OKK16A5	OKB16A5	1600	1000	500	934	434	749	403	890	1480
OKK16A6	OKB16A6	1600	1000	600	934	534	749	503	890	1480

H=1800		Nominal dimensions			Characteristic dimensions				Inner plate	
OK K CODE	OK B CODE	H	L	P	G	I	R	T	X	Y
OKK1844	OKB1844	1800	400	400	334	334	149	303	290	1680
OKK1845	OKB1845	1800	400	500	334	434	149	403	290	1680
OKK1846	OKB1846	1800	400	600	334	534	149	503	290	1680
OKK1848	OKB1848	1800	400	800	334	734	149	703	290	1680
OKK1864	OKB1864	1800	600	400	534	334	349	303	490	1680
OKK1865	OKB1865	1800	600	500	534	434	349	403	490	1680
OKK1866	OKB1866	1800	600	600	534	534	349	503	490	1680
OKK1868	OKB1868	1800	600	800	534	734	349	703	490	1680
OKK1884	OKB1884	1800	800	400	734	334	549	303	690	1680
OKK1885	OKB1885	1800	800	500	734	434	549	403	690	1680
OKK1886	OKB1886	1800	800	600	734	534	549	503	690	1680
OKK1888	OKB1888	1800	800	800	734	734	549	703	690	1680
OKK188A	OKB188A	1800	800	1000	734	934	549	903	690	1680
OKK18A4	OKB18A4	1800	1000	400	934	334	749	303	890	1680
OKK18A5	OKB18A5	1800	1000	500	934	434	749	403	890	1680
OKK18A6	OKB18A6	1800	1000	600	934	534	749	503	890	1680
OKK18A8	OKB18A8	1800	1000	800	934	734	749	703	890	1680
OKK18AA	OKB18AA	1800	1000	1000	934	934	749	903	890	1680

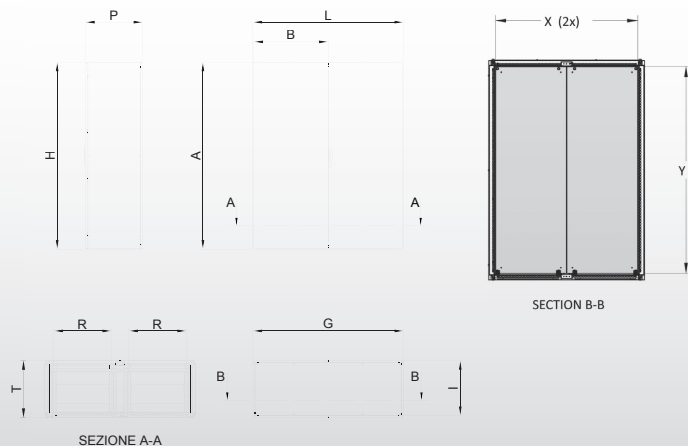
H=2000		Nominal dimensions			Characteristic dimensions				Inner plate	
OK K CODE	OK B CODE	H	L	P	G	I	R	T	X	Y
OKK2044	OKB2044	2000	400	400	334	334	149	303	290	1880
OKK2045	OKB2045	2000	400	500	334	434	149	403	290	1880
OKK2046	OKB2046	2000	400	600	334	534	149	503	290	1880
OKK2048	OKB2048	2000	400	800	334	734	149	703	290	1880
OKK2064	OKB2064	2000	600	400	534	334	349	303	490	1880
OKK2065	OKB2065	2000	600	500	534	434	349	403	490	1880
OKK2066	OKB2066	2000	600	600	534	534	349	503	490	1880
OKK2068	OKB2068	2000	600	800	534	734	349	703	490	1880
OKK2084	OKB2084	2000	800	400	734	334	549	303	690	1880
OKK2085	OKB2085	2000	800	500	734	434	549	403	690	1880
OKK2086	OKB2086	2000	800	600	734	534	549	503	690	1880
OKK2088	OKB2088	2000	800	800	734	734	549	703	690	1880
OKK208A	OKB208A	2000	800	1000	734	934	549	903	690	1880
OKK20A4	OKB20A4	2000	1000	400	934	334	749	303	890	1880
OKK20A5	OKB20A5	2000	1000	500	934	434	749	403	890	1880
OKK20A6	OKB20A6	2000	1000	600	934	534	749	503	890	1880
OKK20A8	OKB20A8	2000	1000	800	934	734	749	703	890	1880
OKK20AA	OKB20AA	2000	1000	1000	934	934	749	903	890	1880

H=2200		Nominal dimensions			Characteristic dimensions				Inner plate	
OK K CODE	OK B CODE	H	L	P	G	I	R	T	X	Y
OKK2264	OKB2264	2200	600	400	534	334	349	303	490	2080
OKK2265	OKB2265	2200	600	500	534	434	349	403	490	2080
OKK2266	OKB2266	2200	600	600	534	534	349	503	490	2080
OKK2268	OKB2268	2200	600	800	534	734	349	703	490	2080
OKK226A	OKB226A	2200	600	1000	534	934	349	903	490	2080
OKK2284	OKB2284	2200	800	400	734	334	549	303	690	2080
OKK2285	OKB2285	2200	800	500	734	434	549	403	690	2080
OKK2286	OKB2286	2200	800	600	734	534	549	503	690	2080
OKK2288	OKB2288	2200	800	800	734	734	549	703	690	2080
OKK228A	OKB228A	2200	800	1000	734	934	549	903	690	2080
OKK22A4	OKB22A4	2200	1000	400	934	334	749	303	890	2080
OKK22A5	OKB22A5	2200	1000	500	934	434	749	403	890	2080
OKK22A6	OKB22A6	2200	1000	600	934	534	749	503	890	2080
OKK22A8	OKB22A8	2200	1000	800	934	734	749	703	890	2080
OKK22AA	OKB22AA	2200	1000	1000	934	934	749	903	890	2080

Notes: the DBE doors are reversible



* UL C/US pending



ENCLOSURES SERIES OK OKB – with double blind doors

Description: pre-assembled enclosure series OK, with removable top panel and adjustable cable entry flanges, double blind doors, with inner stiffening frame and corner elements in zama, polyurethane gasket, espanolette locking system for the main door, and two locks 3.0 mm double bar type for the second door.

Code OKB includes:

- Pre-assembled OK frame with top removable panel and adjustable cable entry flanges
- External blind door DBE, metal sheet painted RAL 7035 textured finish (pag. 18)
- Rear panel screwed RPE painted RAL 7035 textured finish (pag. 24)
- Mounting plate PNA (pag. 27)

Elementi ordinabili a parte:

- Plinth h=100 / h=200 code ZAK + side flanges code FLK (pag. 40)
- Side panels code DLK (pag. 25)
- Lifting eyebolts (pag. 57)

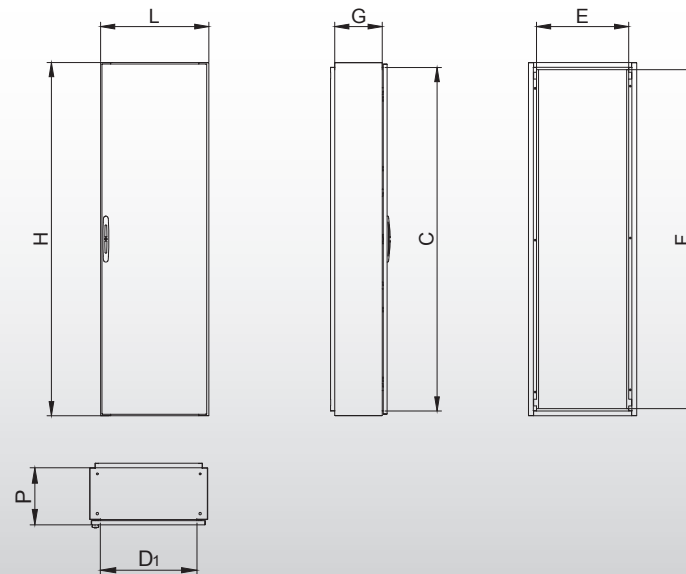
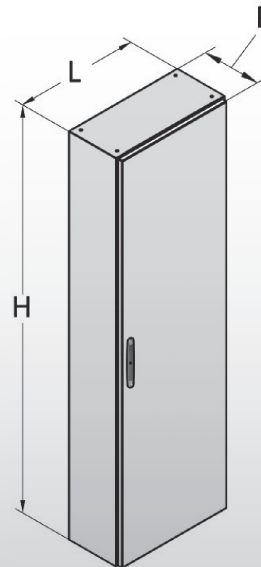
H=1600		Nominal dimensions			Characteristic dimensions				Inner plate			
OK K CODE	OK B CODE	H	L	P	A	B	G	I	R	T	X	Y
OK K16C4	OK B16C4	1600	1200	400	1594	1184	1134	334	953	303	1090	1480
OK K16C5	OK B16C5	1600	1200	500	1594	1184	1134	434	953	403	1090	1480
OK K16C6	OK B16C6	1600	1200	600	1594	1184	1134	534	953	503	1090	1480

H=1800		Nominal dimensions			Characteristic dimensions				Inner plate			
OK K CODE	OK B CODE	H	L	P	A	B	G	I	R	T	X	Y
OK K18C4	OK B18C4	1800	1200	400	1794	1184	1134	334	953	303	1090	1680
OK K18C5	OK B18C5	1800	1200	500	1794	1184	1134	434	953	403	1090	1680
OK K18C6	OK B18C6	1800	1200	600	1794	1184	1134	534	953	503	1090	1680
OK K18C8	OK B18C8	1800	1200	800	1794	1184	1134	734	953	703	1090	1680
OK K18CA	OK B18CA	1800	1200	1000	1794	1184	1134	934	953	903	1090	1680
OK K18D4	OK B18D4	1800	1400	400	1794	1384	1334	334	453*	303	1290	1680
OK K18D5	OK B18D5	1800	1400	500	1794	1384	1334	434	453*	403	1290	1680
OK K18D6	OK B18D6	1800	1400	600	1794	1384	1334	534	453*	503	1290	1680
OK K18D8	OK B18D8	1800	1400	800	1794	1384	1334	734	453*	703	1290	1680
OK K18E4	OK B18E4	1800	1600	400	1794	792*	1534	334	553*	303	1490	1680
OK K18E5	OK B18E5	1800	1600	500	1794	792*	1534	434	553*	403	1490	1680
OK K18E6	OK B18E6	1800	1600	600	1794	792*	1534	534	553*	503	1490	1680
OK K18E8	OK B18E8	1800	1600	800	1794	792*	1534	734	553*	703	1490	1680

H=2000		Nominal dimensions			Characteristic dimensions				Inner plate			
OK K CODE	OK B CODE	H	L	P	A	B	G	I	R	T	X	Y
OK K20C4	OK B20C4	2000	1200	400	1994	1184	1134	334	953	303	1090	1880
OK K20C5	OK B20C5	2000	1200	500	1994	1184	1134	434	953	403	1090	1880
OK K20C6	OK B20C6	2000	1200	600	1994	1184	1134	534	953	503	1090	1880
OK K20C8	OK B20C8	2000	1200	800	1994	1184	1134	734	953	703	1090	1880
OK K20CA	OK B20CA	2000	1200	1000	1994	1184	1134	934	953	903	1090	1880
OK K20D4	OK B20D4	2000	1400	400	1994	1384	1334	334	453*	303	1290	1880
OK K20D5	OK B20D5	2000	1400	500	1994	1384	1334	434	453*	403	1290	1880
OK K20D6	OK B20D6	2000	1400	600	1994	1384	1334	534	453*	503	1290	1880
OK K20D8	OK B20D8	2000	1400	800	1994	1384	1334	734	453*	703	1290	1880
OK K20E4	OK B20E4	2000	1600	400	1994	792*	1534	334	553*	303	1490	1880
OK K20E5	OK B20E5	2000	1600	500	1994	792*	1534	434	553*	403	1490	1880
OK K20E6	OK B20E6	2000	1600	600	1994	792*	1534	534	553*	503	1490	1880
OK K20E8	OK B20E8	2000	1600	800	1994	792*	1534	734	553*	703	1490	1880

H=2200		Nominal dimensions			Characteristic dimensions				Inner plate			
OK K CODE	OK B CODE	H	L	P	A	B	G	I	R	T	X	Y
OK K22C4	OK B22C4	2200	1200	400	2194	1184	1134	334	953	303	1090	2080
OK K22C5	OK B22C5	2200	1200	500	2194	1184	1134	434	953	403	1090	2080
OK K22C6	OK B22C6	2200	1200	600	2194	1184	1134	534	953	503	1090	2080
OK K22C8	OK B22C8	2200	1200	800	2194	1184	1134	734	953	703	1090	2080
OK K22CA	OK B22CA	2200	1200	1000	2194	1184	1134	934	953	903	1090	2080
OK K22D5	OK B22D5	2200	1400	500	2194	1384	1334	434	453*	403	1290	2080
OK K22D6	OK B22D6	2200	1400	600	2194	1384	1334	534	453*	503	1290	2080
OK K22D8	OK B22D8	2200	1400	800	2194	1384	1334	734	453*	703	1290	2080
OK K22E5	OK B22E5	2200	1600	500	2194	792*	1534	434	553*	403	1490	2080
OK K22E6	OK B22E6	2200	1600	600	2194	792*	1534	534	553*	503	1490	2080
OK K22E8	OK B22E8	2200	1600	800	2194	792*	1534	734	553*	703	1490	2080

Notes: enclosures width =1600mm have double rear panels screwed to an intermediate vertical upright and double mounting plates instead of a single one.



ENCLOSURES SERIES OK RLK - Side cable chamber

Description: the side cable chamber can be installed on the left and right side of other OK enclosures. The structure is monoblock, with door opening 120° with standard espanolette lock, the rear part is ready for the coupling with other OK series enclosures. It is supplied complete with inner mounting plate.

Code RLK includes:

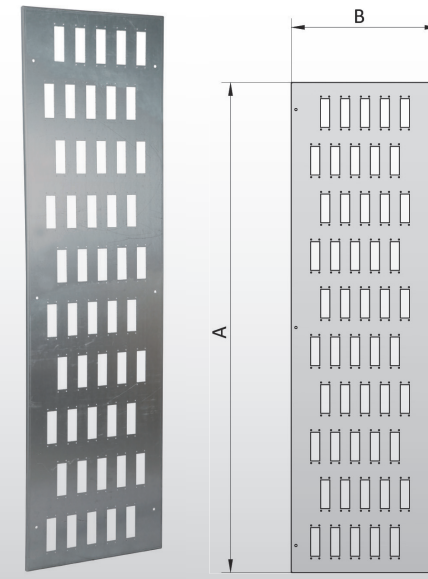
- Monoblock structure with adjustable cable entry flanges
- Side door
- Plain mounting plate

Elements to be ordered separately:

- Plinth h=100 /h=200 **ZAK** + side flanges **FLK** (pag. 40)
- **UTK 700** or **UTK770** baying kit for OK enclosures (pag. 52)

CODE	Nominal dimensions			Other dimensions				Inner plate		
	H	L	P	C	D1	E	F	G	X	Y
RLK 1642	1600	400	200	1540	299	302	1519	170	375	1534
RLK 1643	1600	400	300	1540	299	302	1519	270	375	1534
RLK 1652	1600	500	200	1540	399	402	1519	170	475	1534
RLK 1653	1600	500	300	1540	399	402	1519	270	475	1534
RLK 1662	1600	600	200	1540	499	502	1519	170	575	1534
RLK 1663	1600	600	300	1540	499	502	1519	270	575	1534
RLK 1852	1800	500	200	1740	399	402	1719	170	475	1734
RLK 1853	1800	500	300	1740	399	402	1719	270	475	1734
RLK 1862	1800	600	200	1740	499	502	1719	170	575	1734
RLK 1863	1800	600	300	1740	499	502	1719	270	575	1734
RLK 1882	1800	800	200	1740	699	702	1719	170	775	1734
RLK 1883	1800	800	300	1740	699	702	1719	270	775	1734
RLK 2052	2000	500	200	1940	399	402	1919	170	475	1934
RLK 2053	2000	500	300	1940	399	402	1919	270	475	1934
RLK 2062	2000	600	200	1940	499	502	1919	170	575	1934
RLK 2063	2000	600	300	1940	499	502	1919	270	575	1934
RLK 2082	2000	800	200	1940	699	702	1919	170	775	1934
RLK 2083	2000	800	300	1940	699	702	1919	270	775	1934
RLK 2262	2200	600	200	2140	499	502	2119	170	575	2134
RLK 2263	2200	600	300	2140	499	502	2119	270	575	2134
RLK 2282	2200	800	200	2140	699	702	2119	170	775	2134
RLK 2283	2200	800	300	2140	699	702	2119	270	775	2134

* columns "C" and "D1" refer to the front; columns "E" and "F" refer to rear part.



ENCLOSURES SERIES OK

PLC – Standard mounting plate for side cable chamber

PLC				
CODE	Nominal dimensions		Characteristic dimensions	
	H	P	A	B
PLC164K	1600	400	1534	375
PLC165K	1600	500	1534	475
PLC166K	1600	600	1534	575
PLC185K	1800	500	1734	475
PLC186K	1800	600	1734	575
PLC188K	1800	800	1734	775
PLC205K	2000	500	1934	475
PLC206K	2000	600	1934	575
PLC208K	2000	800	1934	775
PLC226K	2200	600	2134	575
PLC228K	2200	800	2134	775

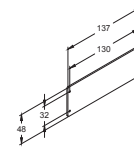
ENCLOSURES SERIES OK

PLF – Slotted mounting plate for side cable chamber

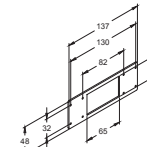
PLF					
CODE	Nominal dimensions		Characteristic dimensions		Number of holes n°
	H	P	A	B	
PLF164K	1600	400	1525	335	24
PLF165K	1600	500	1525	435	32
PLF166K	1600	600	1525	535	40
PLF185K	1800	500	1725	435	36
PLF186K	1800	600	1725	535	45
PLF188K	1800	800	1725	735	64
PLF205K	2000	500	1925	435	40
PLF206K	2000	600	1925	535	50
PLF208K	2000	800	1925	735	75
PLF226K	2200	600	2125	535	55
PLF228K	2200	800	2125	735	82

PCC and PRC - Adapting flanges for connector plates
All series

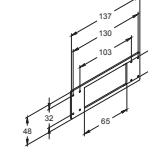
Note: this codes refer to N. 10 pieces



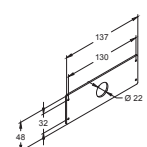
24-pin blind plate
PCC - 2400
CODE Dimensions
PCC2400 L x H
137x48



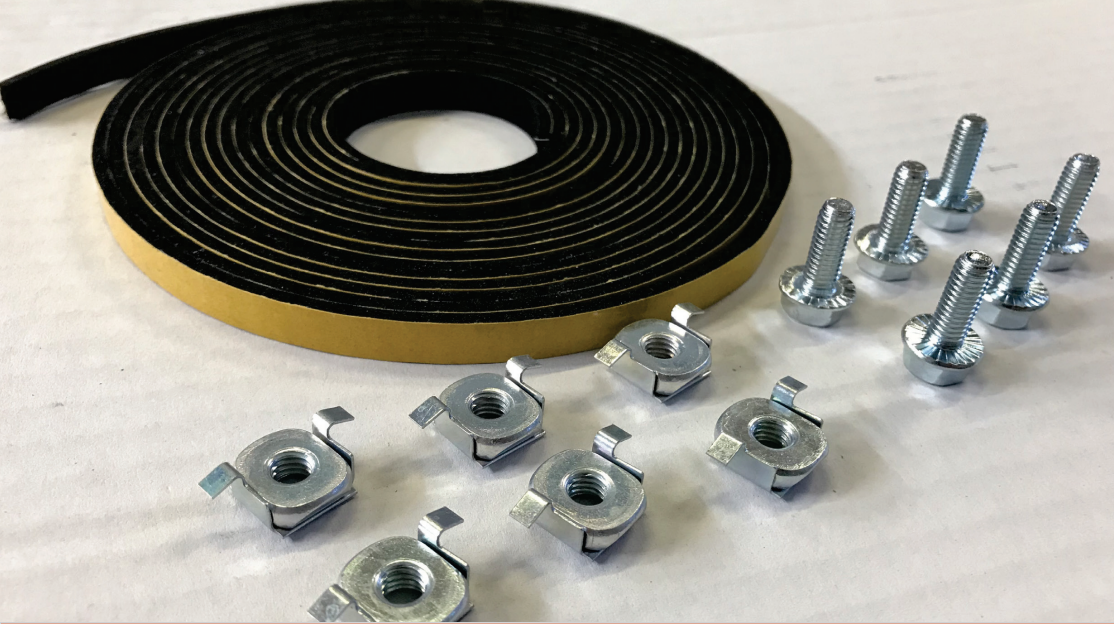
24/10-pin blind plate
PRC - 2410
CODE Dimensions
PRC2410 L x H
137x48



24/16-pin blind plate
PRC - 2416
CODE Dimensions
PRC2416 L x H
137x48



24/22-pin blind plate
PRC - 2422
CODE Dimensions
PRC2422 L x H
137x48



ENCLOSURES SERIES OK

UTRLK - Side cable chamber baying kit

Description: the kit for joining the cable run up into the configuration is a complete set of special accessories that allow you to maintain the "IP" internal protection level and stiffen the structures, guaranteeing an absolute seal.

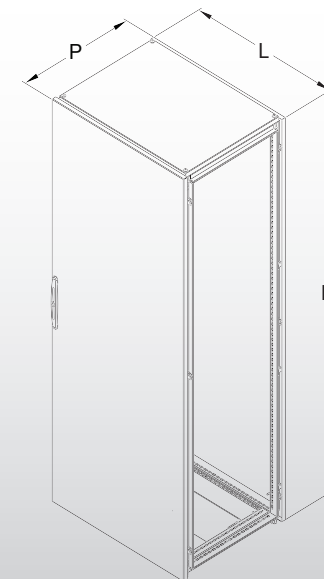
Code **UTRLK700**, cable return kit in pack

Code **UTRLK770**, cable return kit included in configuration of enclosures assembly

The UTRLK700 code includes:

- 1 perimeter gasket
- 6 cage nuts for external M6 (Code DGM900)
- 6 flanneled screws M6x16 hexagonal head (Cod. VTR800)

* Compatible with enclosure series AS/AF



ENCLOSURES SERIES OK

RFK – Baying kit OK Series enclosures

Description: Thanks to the absolute modularity of the OK frame series, the cabinets can be joined together in a vast array of configurations, thanks to an intuitive and easy to use accessory kit.

The union occurs through the positioning between the uprights of special metal jumpers, under which the shaped gaskets are placed, between the screw and the nut in a cage, to guarantee the IP protection degree.

A paired full-height gasket is placed between the paired frames to maintain the IP protection degree unchanged. Inside the enclosures the union occurs through the use of two pairs of squares and galvanized plates that ensure the single columns in a single very robust structure, guaranteed both during lifting and during any movement of the bayed enclosures.

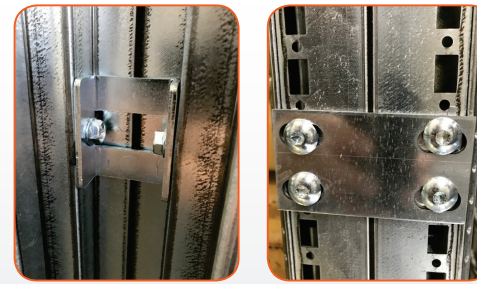
Il codice RFK include:

- OK pre-assembled frame with top removable panel and adjustable cable entry flanges
- Blind front door painted RAL 7035 textured finish **DBE** (pag. 18)
- Rear panel screwed painted RAL 7035 textured finish **RPE** (pag. 24)

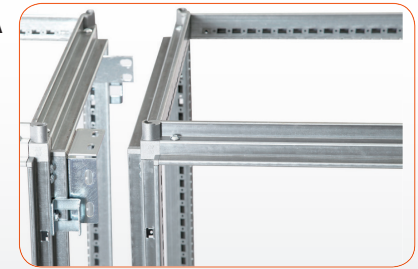
Elements to be ordered separately:

- Plinth h=100/ h=200 **ZAK + FLK** side flanges (pag. 40)
- Mounting plate code **PNA** (pag. 27)
- Baying kit code **UTK770 / UTK700** (pag. 54-55)

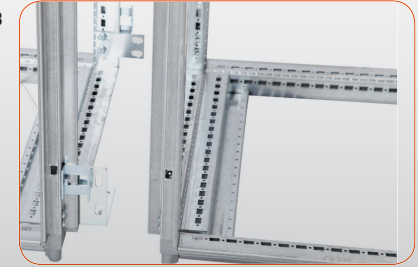
CODE	Nominal dimensions		
	H	L	P
RFK 1664	1600	600	400
RFK 1645	1600	400	500
RFK 1646	1600	400	600
RFK 1844	1800	400	400
RFK 1845	1800	400	500
RFK 1846	1800	400	600
RFK 1848	1800	400	800
RFK 2044	2000	400	400
RFK 2045	2000	400	500
RFK 2046	2000	400	600
RFK 2048	2000	400	800
RFK 2246	2200	400	600
RFK 2248	2200	400	800



Dettaglio A



Dettaglio B



ENCLOSURES SERIES OK Configurations of enclosures

Descrizione: Thanks to the absolute modularity of the OK frame series, the cabinets can be joined together in a vast array of configurations, thanks to an intuitive and easy to use accessory kit. The union occurs through the positioning between the uprights of special metal brackets, under which the shaped gaskets are placed, between the screw and the nut in a cage, to guarantee the IP protection degree. A full-height perimeter gasket is placed between the paired frames to maintain the IP protection degree unchanged. Inside the enclosures, the union occurs through the use of two pairs of squares and galvanized plates that ensure the single columns in a single very robust structure, guaranteed both during lifting and during any movement of the configurations.

ENCLOSURES SERIES OK UTK – Baying kit enclosures

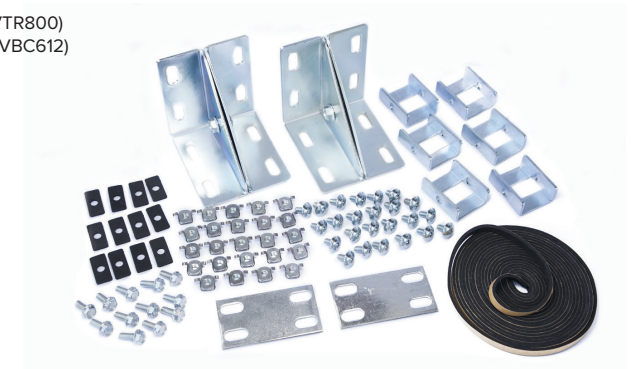
Description: the baying kit is a complete set of accessories for joining two enclosures series OK by sides and by rear sides also, guaranteeing IP55 degree of protection.

Code **UTK700**, loose set of tools

Code **UTK770**, assembled on the enclosures

Code UTK700 includes:

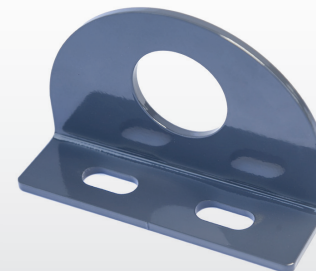
- 12 screws fl. M8x16 hexagonal head (Cod. VTR800)
- 24 screws TT M6x12 torx T30 cl. 10.9 (Cod. VBC612)
- 24 cage nuts M6 (Cod. DGM900)
- 4 reinforcing corner brackets
- 2 inner fixing brackets
- 6 distance-keeper brackets
- 12 sagomated gasket
- 5m gasket



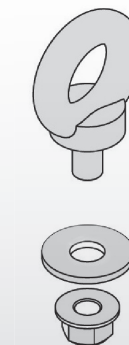
Notes: the codes VTR800, VBC612 and DGM900 refer to kits of 100 pcs. cad.



GLF...



GLP830



GLR112

ENCLOSURES SERIES OK

URR - Union of back-to-back cabinets

Description: the kit for joining the back-to-back cabinets is a complete set of special accessories that allow maintaining the "IP" internal protection level and stiffening the structures, guaranteeing absolute tightness. Almost entirely similar in concept to the union kit in battery UTK ..., it differs only in the number of accessories.

Codice **URR700**, kit for joining cabinets in pack
Codice **URR770**, kit for assembled wardrobes

Il codice URR700 include:

- 16 hexagonal head flanged screws (Cod. VTR800 - 100 pz.)
- 24 screws TT M6x12 torx print T30 cl. 10.9 (Cod. VBC612 - 100 pz.)
- 28 cage nuts for external M6 (Cod. DGM900 - 100 pz.)
- 4 internal corner brackets
- 2 internal plates for rear fixing
- 8 outer spacer brackets
- 16 shaped gaskets
- 5m perimeter gasket per side

Notes: the codes VTR800, VBC612 and DGM900 refer to kits of 100 pcs. cad

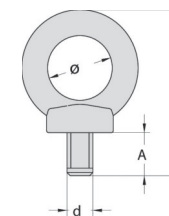
ENCLOSURES SERIES OK

GLF - Lifting eyebolts - Serie OK

Description: range of lifting eyebolts for enclosures. The maximum load capacity according to ISO 3266 are:

- **GLF810** vertical pull **2250 N** pull 45° **2x830 N**
- **GLF812** vertical pull **3330 N** pull 45° **2x1180 N**
- **GLF816** vertical pull **6860 N** pull 45° **2x2450 N**

CODE	Nominal dimensions		Kit	Characteristic dimensions		
	diam. (d)			σ	L	A
GLF810	M10		1	25	63	18
GLF812	M12		1	30	76	22
GLF816	M16		1	35	89	26



GLP830 - Heavy eyebolt - Serie OK

Description: made up of steel sheet thick 5.0 mm, two slots for the fixing and hook slot diam. 50 mm. Load capacity:

- **GLP830** vertical pull **4900 N** pull 45° **2x1750 N**

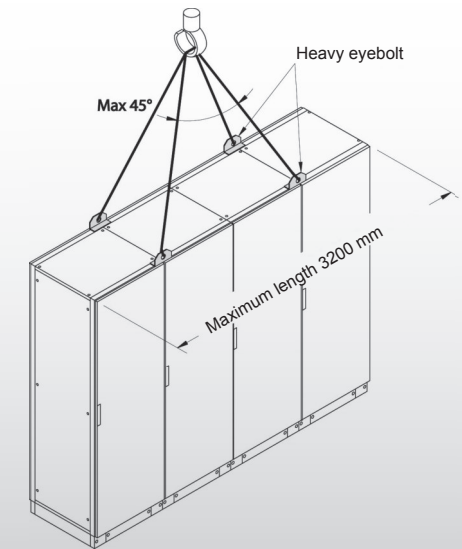
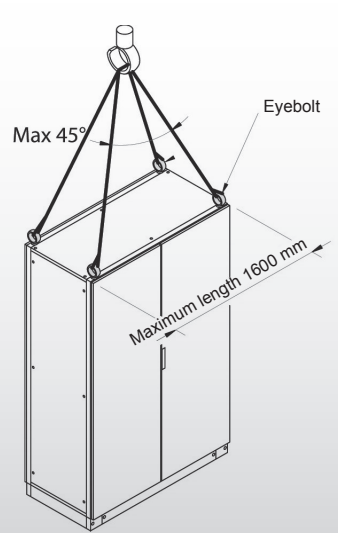
CODE	Type of set
GLP830	N° 1 heavy eyebolt

GLR112 - Eyebolt set - Serie AF/AS

Description: set including one eyebolt GLF812 and a reinforcing bar with washer and nut M12.

CODE	Type of set
GLR112	N° 1 eyebolt

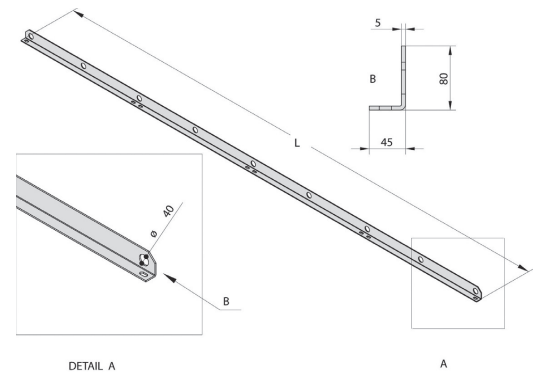
Note: for details on the correct lifting of enclosures, refer to page (pag. 59)



ENCLOSURES SERIES OK TRV - Heavy lifting bars - Series OK

Description: they are made up of 5.0 mm thick steel sheet, the necessary slots for the fixing to the enclosures are made according to customers' request.

CODE	Width of battery	Length of bar
	L	
TRV160	1600	1596
TRV200	2000	1996
TRV240	2400	2396
TRV300	3000	2996
TRV320	3200	3196
TRV360	3600	3596
TRV400	4000	3996
TRV420	4200	4196
TRV440	4400	4396
TRV480	4800	4796
TRV560	5600	5596
TRV580	5800	5796
TRV600	6000	5996
TRV640	6400	6396
TRV740	7400	7396



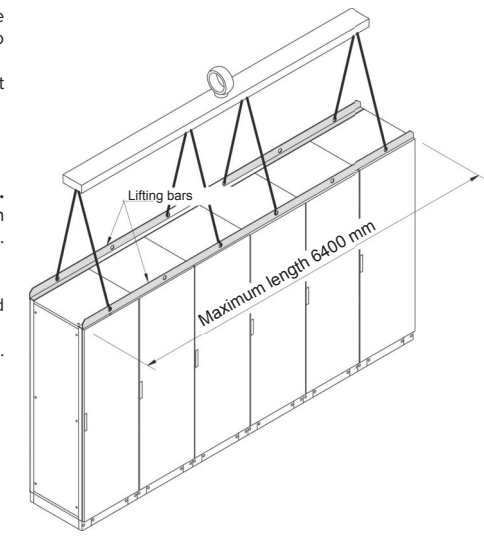
ENCLOSURES SERIES OK Lifting instructions

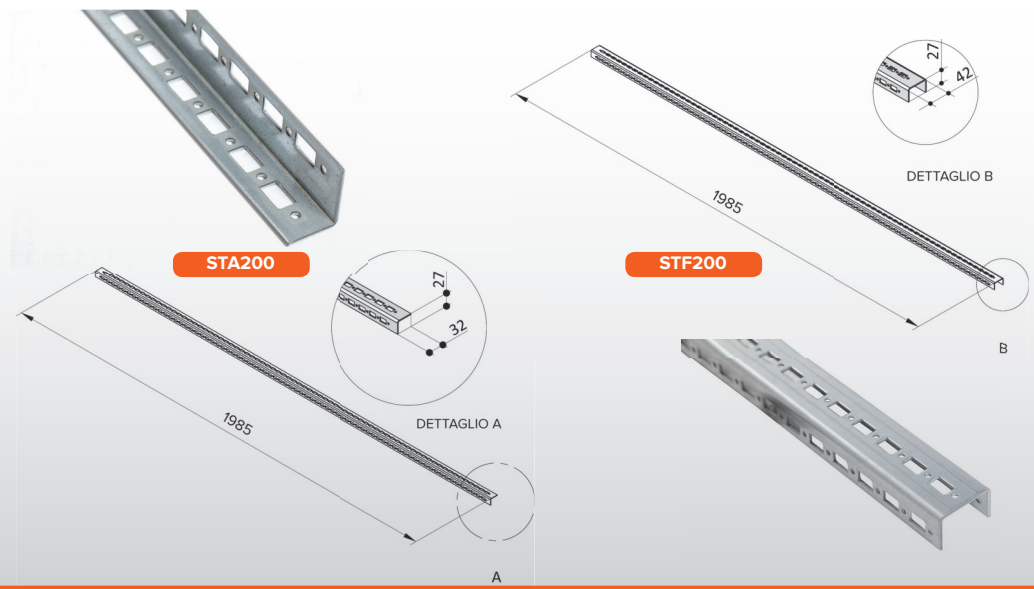
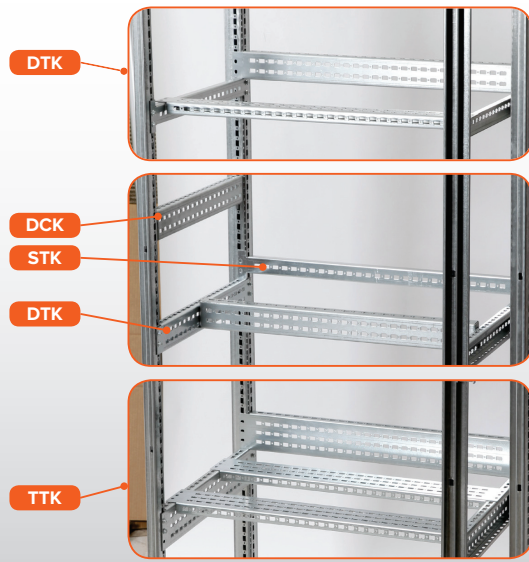
During the process of lifting of enclosures pay attention to the following instructions:

- two pairs of steel wires are necessary, guaranteeing the necessary load capacity, with an angle of 45° between the two traction points
- the lifting eyebolts must be installed at a distance not in contrast with the above

LIFTING BARS
A pair of lifting bars can lift a maximum load of 59000 N (6000 kg). All actions must be carried out carefully with the necessary means, in order to avoid any damage to the enclosures and their content. (art. 181 D.P.R. 547)

The wires must be carefully and duly hooked, in order to avoid crossings and dangerous movements. The free ends of the wires, metallic and in fibres, must be made safe. (Art. 180 D.P.R. 547).



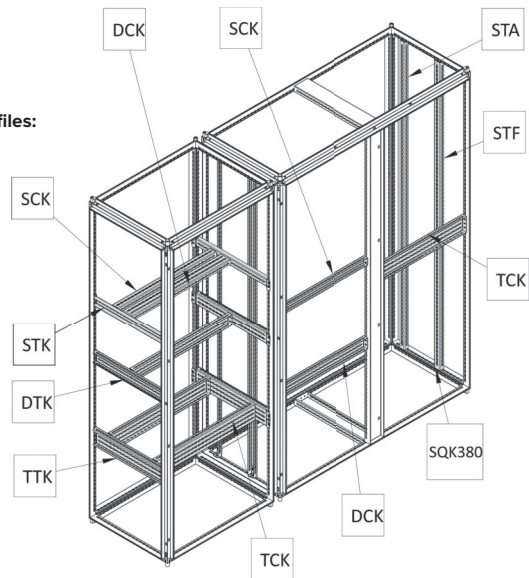


ENCLOSURES SERIES OK Mounting profiles system

Descrizione: in picture below the complete range of mounting profiles for the OK series is shown, Given the symmetrical concept of the frames of the OK series, some types of mounting profiles can be used both as width and depth profiles. The system of mounting profiles allows to create horizontal supporting elements, side rails, intermediate fixing elements for partial mounting plates, front and rear mounting points etc.

The scheme shows the mounting of the following profiles:

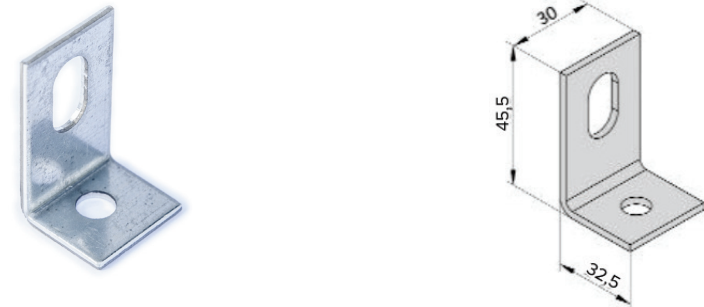
- STK
- SCK
- DTK
- TTK
- TCK
- DCK
- STA
- STF



ENCLOSURES SERIES OK STA, STF - Vertical mounting

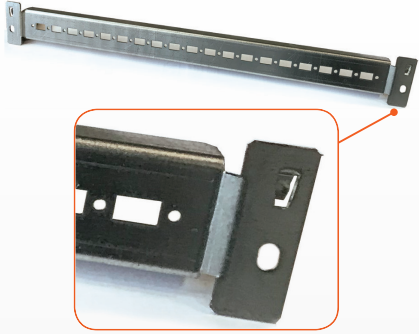
Description: range of vertical mounting profiles, to be fixed to the frame elements, in galvanised steel.

SQK380 bracket for enclosures: he SQK380 brackets are used for fixing the STA and STF mounting profiles, they are also needed for many different applications inside the enclosures.



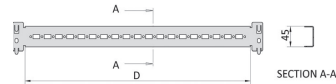
ENCLOSURES SERIES OK
ST, DT, TT - Mounting profiles

Description: inner profiles in galvanised steel ready for the insertion of M6 cage nuts and M5 self-threading screws.



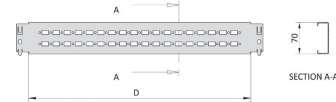
MOUNTING PROFILE STK H=45 mm

CODE	Nominal dimensions		Depth of enclosure	Other dimensions
	L	P	D	
STK445	400	400	300	
STK545	500	500	400	
STK645	600	600	500	
STK845	800	800	700	
STKA45	1000	1000	900	



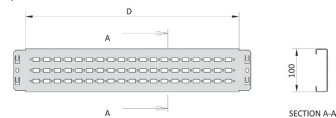
MOUNTING PROFILE DTK H=70 mm

CODE	Nominal dimensions		Depth of enclosure	Other dimensions
	L	P	D	
DTK470	400	400	300	
DTK570	500	500	400	
DTK670	600	600	500	
DTK870	800	800	700	
DTKA70	1000	1000	900	



MOUNTING PROFILE TTK H=100 mm

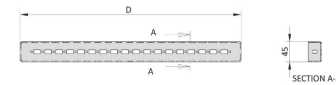
CODE	Nominal dimensions		Depth of enclosure	Other dimensions
	L	F	E	
TTK410	400	400	300	
TTK510	500	500	400	
TTK610	600	600	500	
TTK810	800	800	700	
TTKA10	1000	1000	900	



ENCLOSURES SERIES OK
SC, DC, TC - Mounting profiles

MOUNTING PROFILE SCK H=45 mm

CODE	Nominal dimensions		Depth	Width	Other dimensions
	L	P	D		
SCK407	400	400	302		
SCK507	500	500	402		
SCK607	600	600	502		
SCK807	800	800	702		
SCKA07	1000	1000	902		
SCKC07	1200	1200	1102		



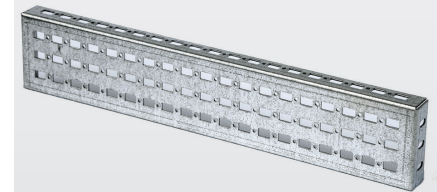
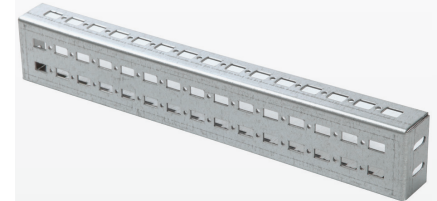
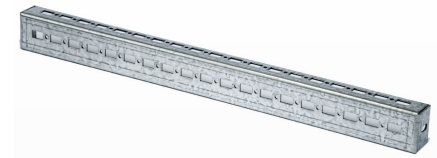
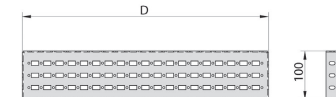
MOUNTING PROFILE DCK H=70 mm

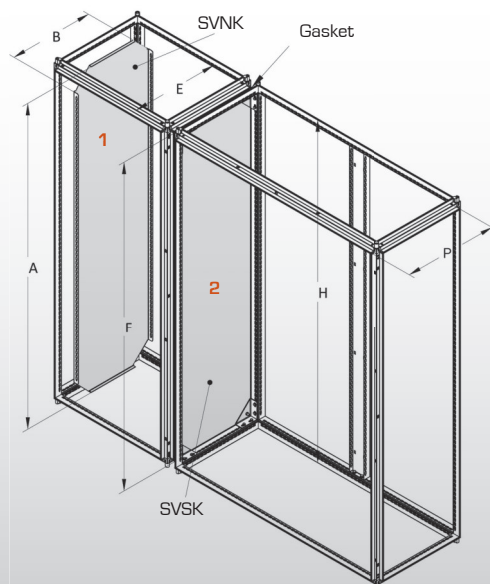
CODE	Nominal dimensions		Depth	Width	Other dimensions
	L	P	D		
DCK407	400	400	302		
DCK507	500	500	402		
DCK607	600	600	502		
DCK807	800	800	702		
DCKA07	1000	1000	902		
DCKC07	1200	1200	1102		



MOUNTING PROFILE TCK H=100 mm

CODE	Nominal dimensions		Depth	Width	Other dimensions
	L	P	D		
TCK401	400	400	302		
TCK501	500	500	402		
TCK061	600	600	502		
TCK081	800	800	702		
TCKA01	1000	1000	902		
TCKC01	1200	1200	1102		





ENCLOSURES SERIES OK
SVNK, SVSK - Vertical inner prtition

Vertical partitions: they separate 2 sections of the same enclosure (SVNK), or can be installed in between 2 enclosures coupled together (SVSK), with an additional gasket.

Vertical partition NOT SEALED (1)				
CODE	Nominal dimensions		Other dimensions	
	H	P	A	B
SVNK164	1600	400	1493	300
SVNK165	1600	500	1493	400
SVNK166	1600	600	1493	500
SVNK184	1800	400	1693	300
SVNK185	1800	500	1693	400
SVNK186	1800	600	1693	500
SVNK188	1800	800	1693	700
SVNK204	2000	400	1893	300
SVNK205	2000	500	1893	400
SVNK206	2000	600	1893	500
SVNK208	2000	800	1893	700
SVNK226	2200	600	2093	500
SVNK228	2200	800	2093	700

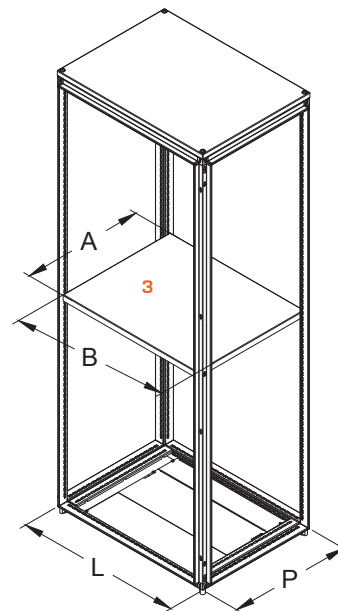
Vertical partition SEALED (2)				
CODE	Nominal dimensions		Other dimensions	
	H	P	A	B
SVSK164	1600	400	1509	319
SVSK165	1600	500	1509	419
SVSK166	1600	600	1509	519
SVSK184	1800	400	1709	319
SVSK185	1800	500	1709	419
SVSK186	1800	600	1709	519
SVSK188	1800	800	1709	719
SVSK204	2000	400	1909	319
SVSK205	2000	500	1909	419
SVSK206	2000	600	1909	519
SVSK208	2000	800	1909	719
SVSK226	2200	600	2109	519
SVSK228	2200	800	2109	719



SVSK

ENCLOSURES SERIES OK
SOAK - Horizontal inner partition

Horizontal partitions: they separate 2 sections of the enclosure and can be used as inner horizontal support, they are screwed to the frame elements.



CODE	Horizontal partition (3)			
	Nominal dimensions		Other dimensions	
	L	P	A	B
SOAK605	600	500	501	459
SOAK606	600	600	501	559
SOAK608	600	800	501	759
SOAK804	800	400	701	359
SOAK805	800	500	701	459
SOAK806	800	600	701	559
SOAK808	800	800	701	759
SOAK105	1000	500	901	459
SOAK106	1000	600	901	559
SOAK108	1000	800	901	759
SOAK125	1200	500	1101	459
SOAK126	1200	600	1101	559
SOAK128	1200	800	1101	759
SOAK145	1400	500	1301	459
SOAK146	1400	600	1301	559
SOAK148	1400	800	1301	759
SOAK165	1600	500	1501	459
SOAK166	1600	600	1501	559
SOAK168	1600	800	1501	759

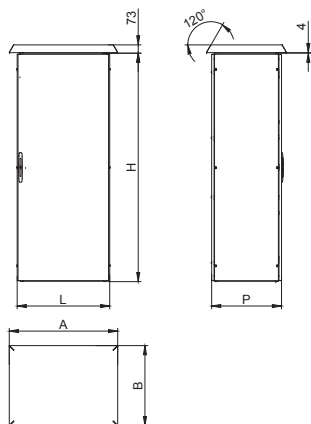


ENCLOSURES SERIES OK

TPK - Rain hood

Description: protective hood in galvanized steel that can be installed on the top element of the enclosure by 4 brackets fixed to the upper corner joints.

Enclosures width	Enclosures depth						
	400	500	600	800	1000	1200	1400
400	TPK044	TPK054	TPK064	TPK084	TPK104	TPK124	TPK144
500	TPK054	TPK055	TPK065	TPK085	TPK105	TPK125	TPK145
600	TPK064	TPK065	TPK066	TPK086	TPK106	TPK126	TPK146
800	TPK084	TPK085	TPK086	TPK088	TPK108	TPK128	TPK148
1000	TPK104	TPK105	TPK106	TPK108	TPK10A	TPK12A	TPK14A
1200	TPK124	TPK125	TPK126	TPK128	TPK12A	TPK12C	TPK14C
1400	TPK144	TPK145	TPK146	TPK148	TPK14A	TPK14C	TPK14D
1600	TPK164	TPK165	TPK166	TPK168	TPK16A	TPK16C	TPK16D



CODE	Nominal dimensions		Other dimensions	
	L	P	A	B
TPK044	400	400	503	503
TPK054	500	400	603	503
TPK055	500	500	603	603
TPK064	600	400	703	503
TPK065	600	500	703	603
TPK066	600	600	703	703
TPK084	800	400	903	503
TPK085	800	500	903	603
TPK086	800	600	903	703
TPK088	800	800	903	903
TPK104	1000	400	1103	503
TPK105	1000	500	1103	603
TPK106	1000	600	1103	703
TPK108	1000	800	1103	903
TPK10A	1000	1000	1103	1103
TPK124	1200	400	1303	503
TPK125	1200	500	1303	603
TPK126	1200	600	1303	703
TPK128	1200	800	1303	903
TPK12A	1200	1000	1303	1103
TPK12C	1200	1200	1303	1303
TPK144	1400	400	1503	503
TPK145	1400	500	1503	603
TPK146	1400	600	1503	703
TPK148	1400	800	1503	903
TPK14A	1400	1000	1503	1103
TPK14C	1400	1200	1503	1303
TPK14D	1400	1400	1503	1503
TPK164	1600	400	1703	503
TPK165	1600	500	1703	603
TPK166	1600	600	1703	703
TPK168	1600	800	1703	903
TPK16A	1600	1000	1703	1103
TPK16C	1600	1200	1703	1303
TPK16D	1600	1400	1703	1503

ENCLOSURES SERIES OK

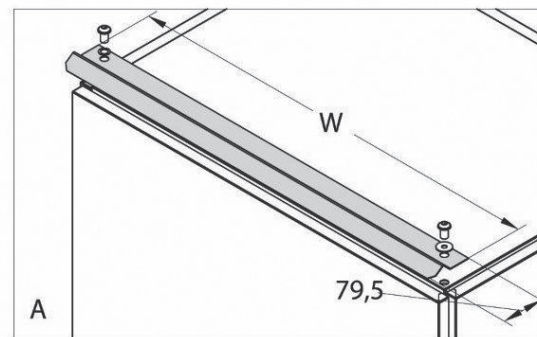
PFR - Door protective profile

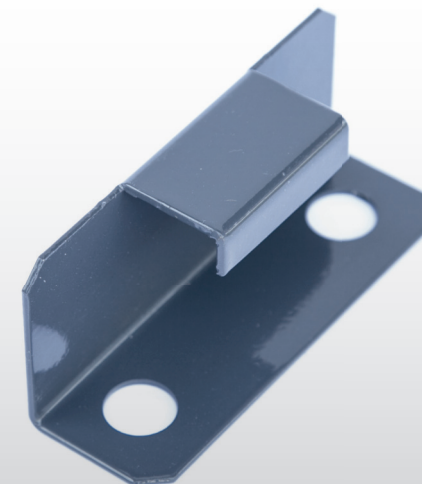
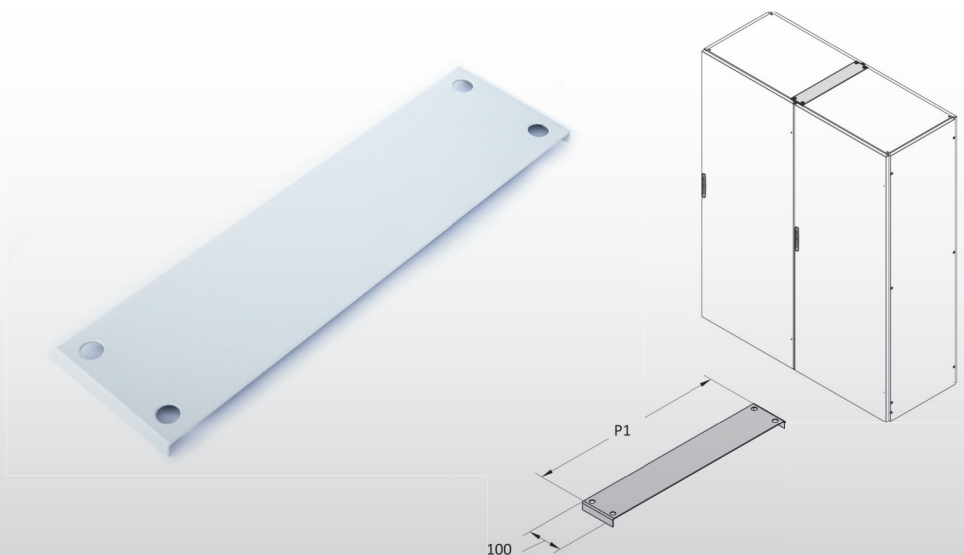
Description: the door protective profile is installed on OK enclosures in order to guarantee additional protection against rain. It is installed at the front of the enclosures, above the door, instead of the lifting eyebolts, in the corner elements of the frame, and a gasket is mounted in between the profile and the top panel.

Il codice PFR include:

- Door protective profile
- Gasket
- Fixing screws

CODE	Enclosures depth		Enclosures width
	L	W	
PFR040	400	398	
PFR050	500	498	
PFR060	600	598	
PFR080	800	798	
PFR100	1000	998	
PFR120	1200	1198	
PFR140	1400	1398	
PFR160	1600	1598	





ENCLOSURES SERIES OK TTP - Top filler

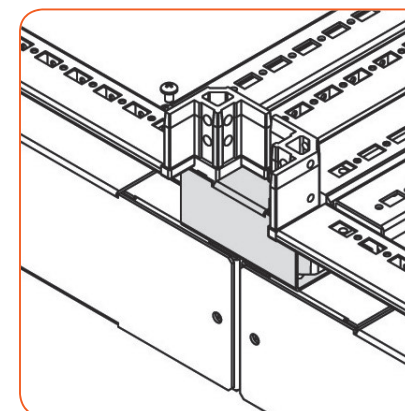
Description: the top panel filler can be installed in between two OK enclosures, it is fixed to the joints of the frame, in order to cover the gap between the top panels

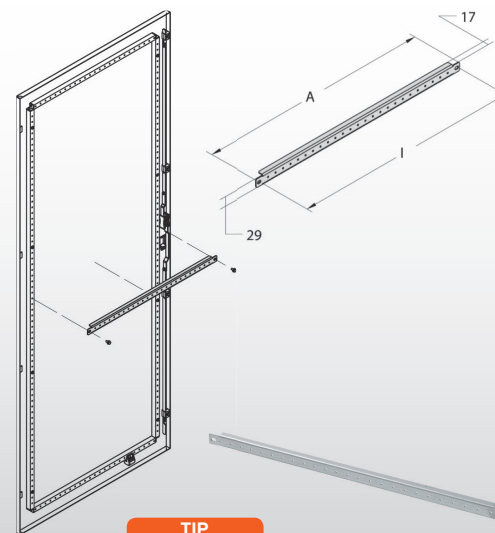
CODE	Nominal dimensions	Real dimensions
	L	P1
TTP040	400	367
TTP050	500	467
TTP060	600	567
TTP080	800	767
TTP100	1000	967

ENCLOSURES SERIES OK PUBK 10 - Base filler

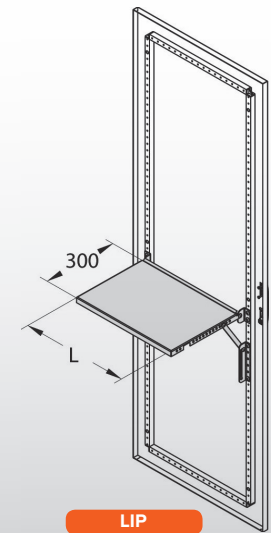
Description: the base filler is installed in between the frames of two OK enclosures. It is fixed to the plinths of the enclosures and fills the gap as shown besides.

PUBK 10			
CODE	Door height	Door width	Height
	H		H1
CSTK106	Tutte	da 600 1000	Custom





TIP



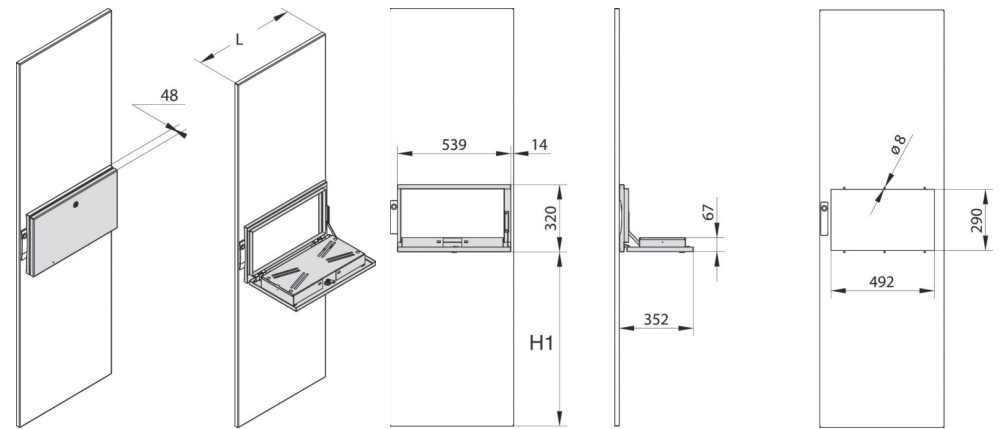
LIP

ACCESSORY ENCLOSURES SERIES OK

CSTK 70 - foldable desk

Description: the CSTK desk can be easily folded and locked to the inner part of the door of the OK series enclosures w=> 800mm. It is embedded with air-tight cubicle for the keyboard, guaranteeing the necessary IP degree of protection even with open desk. In the table below position H1 is shown, at which the desk can be installed.

CSTK 70			
CODE	Door height	Door width	Height
	H		H1
CSTK70	All	from 600 to 1200	Custom
CSTK71*	All	from 600 to 1200	Custom



* Code for the not protruding component

ACCESSORY ENCLOSURES SERIES OK

TIP - Inner door profiles Series OK/AF/AS

Description: it is fixed by two screws to the inner door stiffening frame.

- Code TIP includes:**
- Door profile
 - Fixing screws

CODE	Nominal door width	Other dimensions	
		A	I
TIP400	400	280	260
TIP500	500	380	360
TIP600	600	480	460
TIP700	700	580	560
TIP800	800	680	660
TIP900	900	780	760
TIPA00	1000	880	860

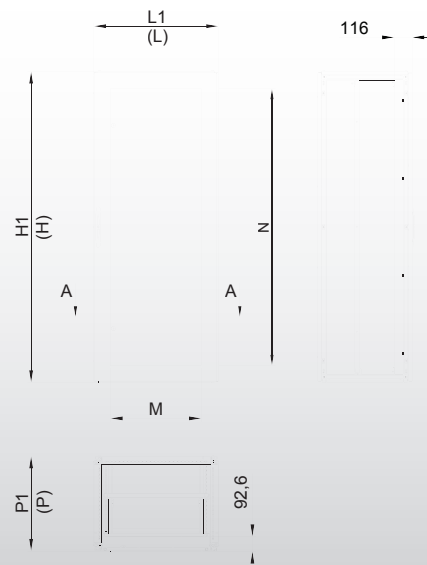
LIP - Inner foldable desk for doors Series OK/AF/AS

Description: the LIP foldable desk is fixed to the door inner stiffening frame by two corner brackets and can be adjusted by means of mechanical blocks. It can be folded flush to the door.

- Code LIP includes:**
- Desk
 - Fixing brackets
 - Desk blocks
 - Screws

CODE	Nominal door width	Other dimensions	
		L	
LIP500	500	430	
LIP600	600	530	
LIP700	700	630	
LIP800	800	730	
Pair Dx. and Sx. LIP			LIP/S





ENCLOSURES SERIES OK OKV – with glazed door

Description: pre-assembled enclosure series OK, with removable top panel and adjustable cable entry flanges, with single or double glazed door, including a PMMA transparent thick 4.0 mm, fixed with acrylic film and a series of galvanised brackets.

Code OKV includes:

- Pre-assembled OK frame with top removable panel and adjustable cable entry flanges
- External glazed door DTE, metal sheet painted RAL 7035 textured finish (pag. 19)
- Inner blind door DBI painted RAL 7035 textured finish (pag. 21)
- Rear panel screwed RPE painted RAL 7035 textured finish (pag. 24)
- Mounting plate PNA (pag. 27)

To be ordered separately:

- Plinth h=100 / h=200 cod.e ZAK + side flanges code FLK (pag. 40)
- Side panels code DLK (pag. 25)
- Lifting eyebolts (pag. 57)

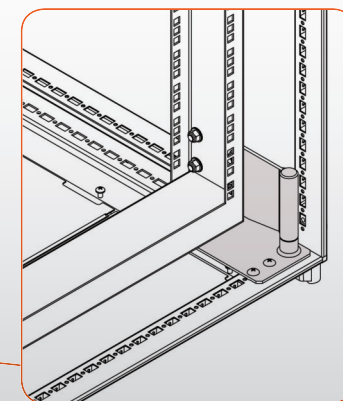
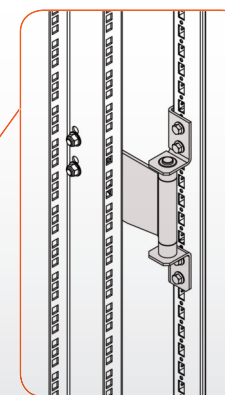
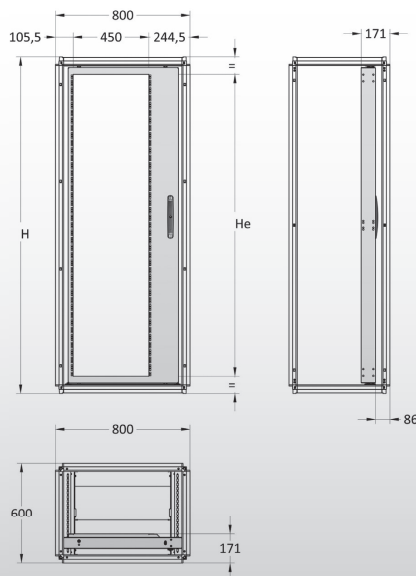
Notes: The inner distance between the inner and external door can be adjusted

CODE	Nominal dimensions			Other dimensions				
	H	L	P	H1	L1	P1	M	N
OKV1664	1600	600	400	1601	612	412	390	1390
OKV1665	1600	600	500	1601	612	512	390	1390
OKV1666	1600	600	600	1601	612	612	390	1390
OKV1684	1600	800	400	1601	812	412	590	1390
OKV1685	1600	800	500	1601	812	512	590	1390
OKV1686	1600	800	600	1601	812	612	590	1390
OKV1864	1800	600	400	1801	612	412	390	1590
OKV1865	1800	600	500	1801	612	512	390	1590
OKV1866	1800	600	600	1801	612	612	390	1590
OKV1868	1800	600	800	1801	612	812	390	1590
OKV1884	1800	800	400	1801	812	412	590	1590
OKV1885	1800	800	500	1801	812	512	590	1590
OKV1886	1800	800	600	1801	812	612	590	1590
OKV1888	1800	800	800	1801	812	812	590	1590
OKV188A	1800	800	1000	1801	812	1012	590 ⁽²⁾	1590 ⁽²⁾
OKV18A4	1800	1000	400	1801	1012	412	790	1590
OKV18A5	1800	1000	500	1801	1012	512	790	1590
OKV18A6	1800	1000	600	1801	1012	612	790	1590
OKV18A8	1800	1000	800	1801	1012	812	790	1590
OKV18AA	1800	1000	1000	1801	1012	1012	790 ⁽²⁾	1590 ⁽²⁾
OKV2064	2000	600	400	2001	612	412	390	1790
OKV2065	2000	600	500	2001	612	512	390	1790
OKV2066	2000	600	600	2001	612	612	390	1790
OKV2068	2000	600	800	2001	612	812	390	1790
OKV2084	2000	800	400	2001	812	412	590	1790
OKV2085	2000	800	500	2001	812	512	590	1790
OKV2086	2000	800	600	2001	812	612	590	1790
OKV2088	2000	800	800	2001	812	812	590	1790
OKV208A	2000	800	1000	2001	812	1012	590 ⁽²⁾	1790 ⁽²⁾
OKV20A5	2000	1000	500	2001	1012	512	790	1790
OKV20A6	2000	1000	600	2001	1012	612	790	1790
OKV20A8	2000	1000	800	2001	1012	812	790	1790
OKV20A4	2000	1000	1000	2001	1012	1012	790 ⁽²⁾	1790 ⁽²⁾
OKV20AA	2000	1000	1000	2001	1012	1012	790 ⁽²⁾	1790 ⁽²⁾
OKV2264	2200	600	400	2201	612	412	390	1990
OKV2265	2200	600	500	2201	612	512	390	1990
OKV2266	2200	600	600	2201	612	612	390	1990
OKV2268	2200	600	800	2201	612	812	390	1990
OKV226A	2200	600	1000	2201	612	1012	390 ⁽²⁾	1990 ⁽²⁾
OKV2284	2200	800	400	2201	812	412	590	1990
OKV2285	2200	800	500	2201	812	512	590	1990
OKV2286	2200	800	600	2201	812	612	590	1990
OKV2288	2200	800	800	2201	812	812	590	1990
OKV228A	2200	800	1000	2201	812	1012	590 ⁽²⁾	1990 ⁽²⁾
OKV22A4	2200	1000	400	2201	1012	412	790	1990
OKV22A5	2200	1000	500	2201	1012	512	790	1990
OKV22A6	2200	1000	600	2201	1012	612	790	1990
OKV22A8	2200	1000	800	2201	1012	812	790	1990
OKV22AA	2200	1000	1000	2201	1012	1012	790 ⁽²⁾	1990 ⁽²⁾

(2) Double doors

Notes: the measurements M and N in the table are calculated respectively as follows:

- M = L-210mm
- N = H-220mm



ENCLOSURES SERIES OK OKR - Rack 19"

Description: OK enclosure complete with top removable panel and adjustable cable entry flanges, with external glazed door and including an inner swinging rack frame 19"

Code OKR includes:

- OK frame assembled with removable top panel and adjustable cable entry flanges
- Rear panel **RPE** screwed, painted RAL 7035 textured finish (pag. 24)
- Glazed door **DTE** (pag. 19)
- Inner swinging frame rack 19" painted RAL 7035 textured finish (melted available on request)

Elements to be ordered separately:

- Mounting plate code **PNA** (pag. 27)
- Side panels code **DLK** (pag. 25)
- **STR** pair of fixed vertical uprights 19" (see following pages)
- Plinth h=100 /h=200 code **ZAK** and side flanges code **FLK** (pag. 40)
- Aluminium panels 19" **PHE** (vedi pag. sequenti)
- Lifting eyebolts (pag. 57)

Notes:

- Swinging rack frame available for enclosures w >800 mm
- Hinges for inner swinging rack frame and external door opening 180° available (following page).
- a HE unit corresponds to 44,45mm

OKR					
CODE	Nominal dimensions			Units HE	
	H	L	P	n°	
OKR 1884	1800	800	400	36	
OKR 1885	1800	800	500	36	
OKR 1886	1800	800	600	36	
OKR 2084	2000	800	400	40	
OKR 2085	2000	800	500	40	
OKR 2086	2000	800	600	40	
OKR 2088	2000	800	800	40	
OKR 2284	2200	800	400	44	
OKR 2285	2200	800	500	44	
OKR 2286	2200	800	600	44	
OKR 2288	2200	800	800	44	

OKR fixed					
CODE	Nominal dimensions			Units HE	
	H	L	P	n°	
OKR 1884	1800	800	400	36	
OKR 1885	1800	800	500	36	
OKR 1886	1800	800	600	36	
OKR 2084	2000	800	400	40	
OKR 2085	2000	800	500	40	
OKR 2086	2000	800	600	40	
OKR 2088	2000	800	800	40	

ENCLOSURES SERIES OK TRI... - Swinging rack frame 19"

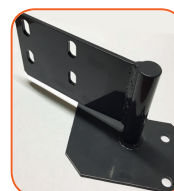
Description: the swinging 19" rack frame is available for enclosures w=>800mm

CODE	Nominal dimensions		Features		
	H	L	E	F	Units HE
TRI168	1600	800	200	1463	31
TRI188	1800	800	200	1663	36
TRI208	2000	800	200	1863	40
TRI228	2200	800	200	2063	44

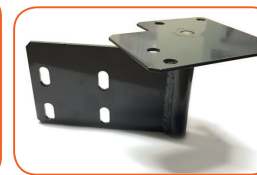
ACCESSORY ENCLOSURES SERIES OK

CRN200 - Hinges for swinging rack 180° - Series OK

Description: these hinges are used on OK series enclosures rack 19" version. Right and left type are different (see table below for details).



CRN200DI

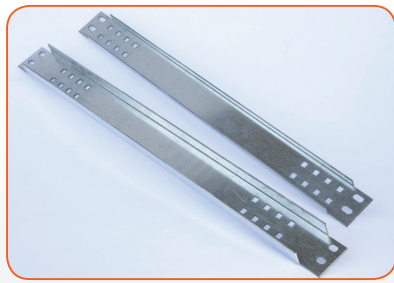


CRN200DS



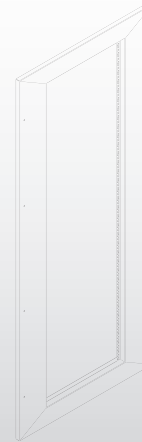
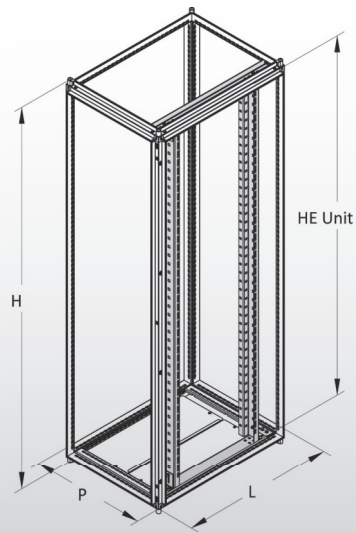
CRN200DC

CODE	Description features
CRN200DI	hinge 180° frame rack OK Lower dx
CRN200DS	hinge 180° frame rack OK Higher dx
CRN200DC	hinge 180° frame rack OK Central dx
CRN200SI	hinge 180° frame rack OK Lower sx
CRN200SS	hinge 180° frame rack OK Higher sx
CRN200SC	hinge 180° frame rack OK Central sx

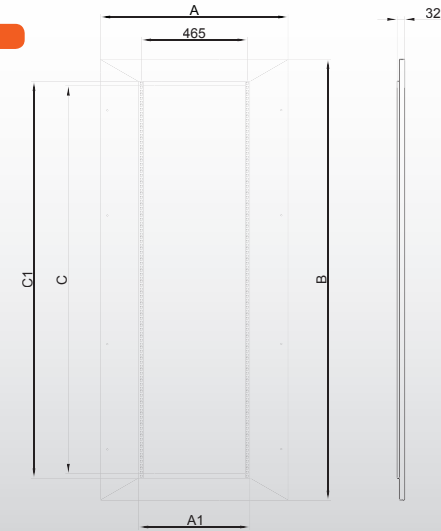


STR.../T

STR



TREK



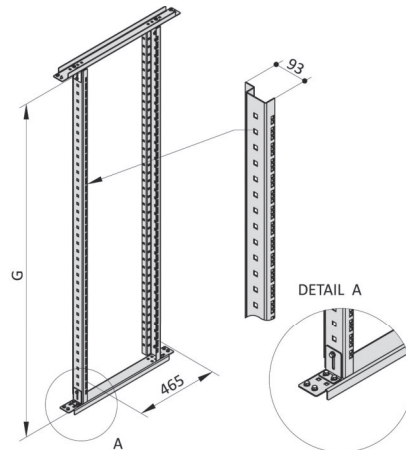
ENCLOSURES SERIES OK STR – Fixed 19” rack uprights

Description: the pair of fixed 19” rack uprights can be mounted on all OK series frames

Code STRK includes:

- 1 pair of vertical uprights rack 19”
- 4 fixing brackets
- 1 pair of upper and lower fixing rails (for enclosures w>600 mm) cod. **STR800/T** o **STR1000/T**
- Fixing screws

CODE	Nominal dimensions		Other dimensions	
	H	G	Units HE	
STR160	1600	1480	32	
STR180	1800	1680	36	
STR200	2000	1880	42	
STR220	2200	2080	46	



Note:
- for installing rack fixed uprights on enclosures series OK w>600 mm, it is necessary to order the apposite kit of accessories, including the lower and upper fixing rails to the frame of the enclosures
- CRN200 hinges for swinging rack 180° (pag. 75)

ENCLOSURES SERIES OK TREK – External front frame rack 19”

Description: on enclosures series OK, AF and AS, it is possible to install the external rack frame 19” instead of the door allowing the equipment to be mounted at the front of the enclosures.

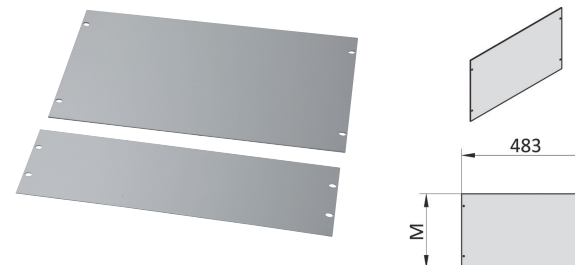
Code TREK includes:

- Front rack 19” frame
- Fixing clips
- Fixing screws

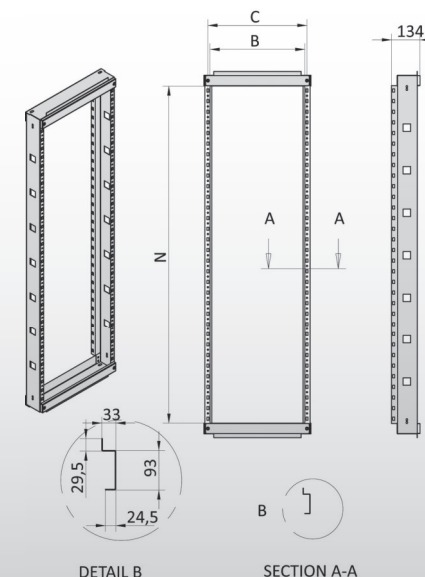
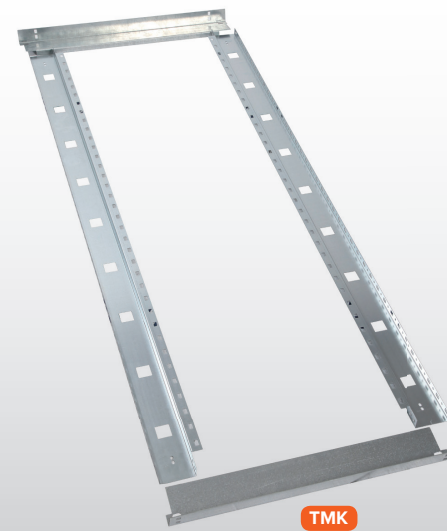
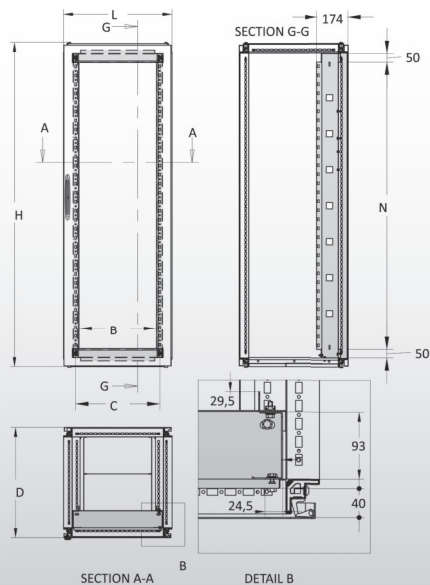
CODE	Nominal dimensions		Other dimensions					Units HE
	H	L	A	B	C	A1	C1	
TREK188	1800	800	792	1784	1589,5	682	1614,5	36
TREK208	2000	800	792	1984	1789,5	682	1814,5	40
TREK228	2200	800	792	2184	1989,5	682	2014,5	44

PHE – Front panels in aluminium for OK Rack 19”

Description: they are made up of anodised aluminium 30/10.



CODE	Nominal dimensions		Other dimensions
	HE	M	Inches
PHE010	1	44,45	1 ¾
PHE020	2	88,90	3 ½
PHE030	3	133,35	5 ¼
PHE040	4	177,80	7
PHE050	5	222,25	8 ¾
PHE060	6	266,70	10 ½
PHE070	7	311,15	12 ¼
PHE080	8	355,60	14
PHE090	9	400,05	15 ¾
PHE100	10	444,50	17 ½



ENCLOSURES SERIES OK

OKD – Enclosure with inner modular frame

Description: OK enclosure complete with top removable panel and adjustable cable entry flanges, with external glazed door, and an integrated inner modular frame, ready for the installation of modular panels in any position in height. On the rear part of the modular frame, a series of accessories can be installed, such as modular plates, DIN rails etc., (see following pages). It is suitable for multiple uses in the power distribution market.

Code OKD includes:

- Complete OK frame pre-assembled with removable top and base element with adjustable cable entry flanges
- **RPE** rear panel screwed painted RAL 7035 textured (pag. 24)
- **DTE** glazed door with PMMA transparent plate thick 4.0 mm (pag. 19)
- Inner modular frame TMK cod. **TMK** (see following page)

To be ordered separately:

- Plinth h=100 / h=200 code **ZAK** + side flanges code **FLK** (pag. 40)
- Side panels code **DLK** (pag. 25)
- Lifting eyebolts (pag. 57)

Notes: the distance from mounting plate CPR (pag. 84) can go from a min of 66mm and max of 111mm depending on the positioning

ENCLOSURES SERIES OK

OKD and TMK – OK enclosure with inner modular frame

Description: it consists of 2 vertical uprights and 2 horizontal rails. The arrangement of modular covers and adjustable modular plates is completely customisable. In order to fill the **N** space (which is the total space between the 2 necessary compensation panels, to be ordered separately) it is possible to install any modular cover, hinged (right and left) or screwed. The inner modular frame is ready for the fixing on its back section of the adjustable modular plates, and is embedded with several cut outs for the outgoing and incoming cables.

Guide to the modular covers arrangement:

In the table above all vertical enclosures' height is shown indicating the **N** dimension, which is the space available to be filled with the modular covers.

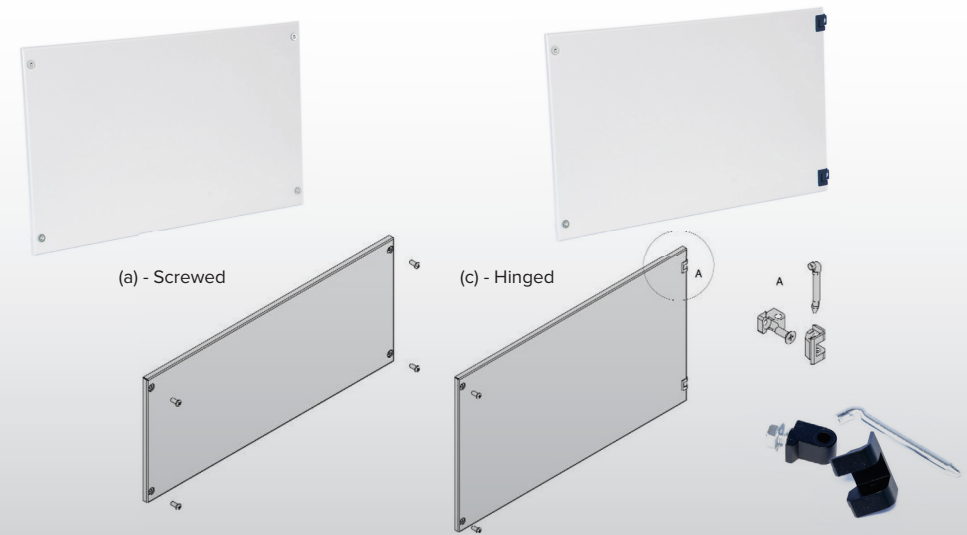
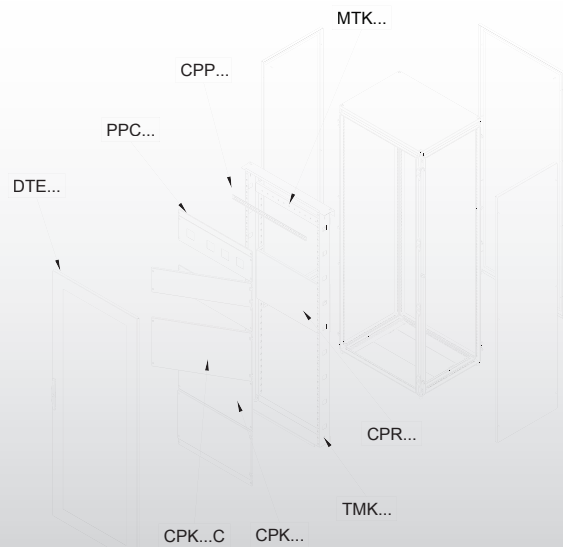
The arrangements of modular covers are multiple.

Example:

for an enclosure H=1800, the **N** dimension is 1600, which -for example- can be filled with 8 covers H=200, as well as with 4 covers H=200 and 2 cover H=400 etc.

OKD e TMK

CODE	Nominal dimensions			Frame code	Other dimensions			
	H	L	P		B	C	N	D
OKD1664	1600	600	400	TMK166	445	465	1400	412
OKD1665	1600	600	500	TMK166	445	465	1400	512
OKD1666	1600	600	600	TMK166	445	465	1400	612
OKD1684	1600	800	400	TMK168	645	665	1400	412
OKD1685	1600	800	500	TMK168	645	665	1400	512
OKD1686	1600	800	600	TMK168	645	665	1400	612
OKD1864	1800	600	400	TMK186	445	465	1600	412
OKD1865	1800	600	500	TMK186	445	465	1600	512
OKD1866	1800	600	600	TMK186	445	465	1600	612
OKD1868	1800	600	800	TMK186	445	465	1600	812
OKD1884	1800	800	400	TMK188	645	665	1600	412
OKD1885	1800	800	500	TMK188	645	665	1600	512
OKD1886	1800	800	600	TMK188	645	665	1600	612
OKD2064	2000	600	400	TMK206	445	465	1800	412
OKD2065	2000	600	500	TMK206	445	465	1800	512
OKD2066	2000	600	600	TMK206	445	465	1800	612
OKD2068	2000	600	800	TMK206	445	465	1800	812
OKD2084	2000	800	400	TMK208	645	665	1800	412
OKD2085	2000	800	500	TMK208	645	665	1800	512
OKD2086	2000	800	600	TMK208	645	665	1800	612
OKD2088	2000	800	800	TMK208	645	665	1800	812
OKD2266	2200	600	600	TMK226	445	465	2000	612
OKD2286	2200	800	600	TMK228	645	665	2000	612



ENCLOSURES SERIES OKD OKD - Modular inner system

Description: Description: the modular system of the OKD enclosures is flexible and complete of many modular elements, as shown in the picture below, among them are modular covers, adjustable plates, DIN rails, supporting elements, and more accessories, these allow several types of applications.

Il codice OKD include:

- Pre-assembled OK frame with top removable panel and adjustable cable entry flanges
- adjustable cable entry flanges
- External glazed door **DTE**, metal sheet painted RAL 7035 textured finish (pag. 19)
- Rear panel screwed RPE painted RAL 7035 textured finish (pag. 24)
- Inner modular frame cod. **TMK** (see following pages)

Accessories (see following pages):

- Modular screwed covers **CP**
- Modular hinged covers **CP...C**
- Compensation panels h=50 mm cod. **PPC**
- Adjustable modular plates **CPR**
- DIN rail supports code **MTK**
- DIN rail code **CPP**

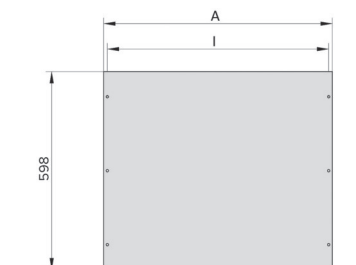
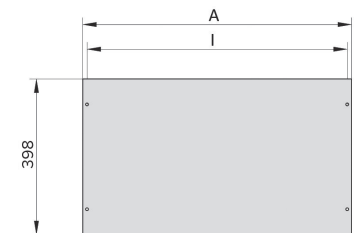
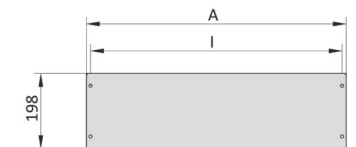
ENCLOSURES SERIES OKD OKD - Inner modular elements

Description: Modular covers are of two types: screwed and hinged. Screwed covers are fixed to the inner modular frame **TMK** by 4 screws; hinged covers are installed on the modular frame on one side by two hinges, and to the other side by two screws. The codes of hinged covers have the ending (C).

CODE	BLIND MODULAR COVER				
	Width enclosure	Other dimensions			
	L	A	I	M	N
CPY560	600	491	465	-	-
CPY860	800	691	665	-	-
CPY560C	600	491	465	-	-
CPY860C	800	691	665	-	-

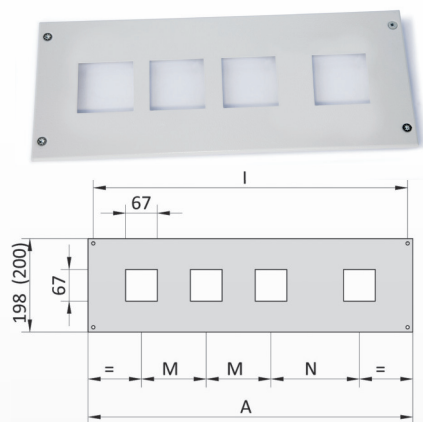
CODE	DOUBLE BLIND MODULAR COVER				
	Width enclosure	Other dimensions			
	L	A	I	M	N
CPK561	600	491	465	-	-
CPK861	800	691	665	-	-
CPK561C	600	491	465	-	-
CPK861C	800	691	665	-	-

CODE	TRIPLE BLIND MODULAR COVER				
	Width enclosure	Other dimensions			
	L	A	I	M	N
CPT560	600	491	465	-	-
CPT860	800	691	665	-	-
CPT560C	600	491	465	-	-
CPT860C	800	691	665	-	-

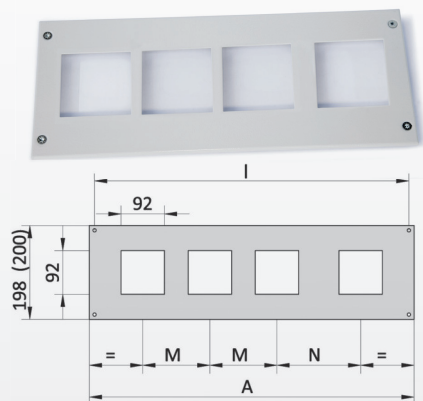


* If the code ends with (C) the panel is equipped with hinges.

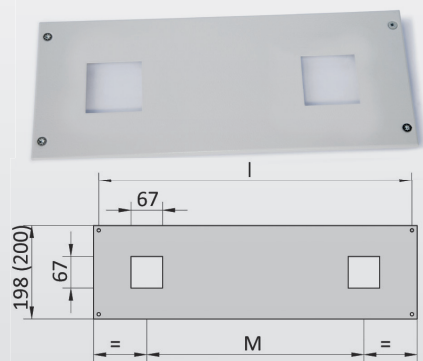
OKD - Inner modular elements



MODULAR COVER with 4 cut outs 67x67 mm						
CODE	Width enclosures		Other dimensions			
	L	A	I	M	N	
CPX5472	600	491	465	117	117	
CPX8472	800	691	665	137	187	
CPX5472C	600	491	465	117	117	
CPX8472C	800	691	665	137	187	



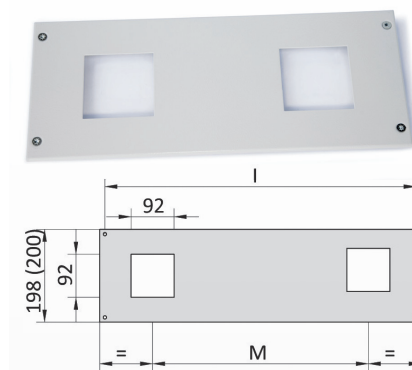
MODULAR COVER with 4 cut outs 92x92 mm						
CODE	Width enclosure		Other dimensions			
	L	A	I	M	N	
CPX8496	800	691	665	142	177	
CPX8496C	800	691	665	142	177	



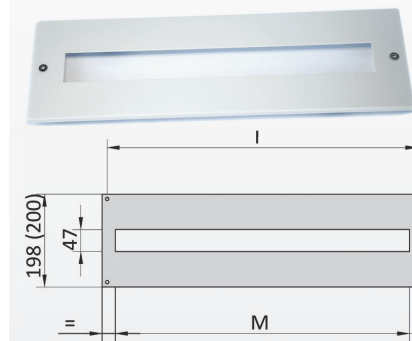
MODULAR COVER with double cut out 67x67 mm						
CODE	Width enclosure		Other dimensions			
	L	A	I	M	N	
CPX5272	600	491	465	261	-	
CPX8272	800	691	665	461	-	
CPX5272C	600	491	465	261	-	
CPX8272C	800	691	665	461	-	

Notes: if the code ends with "C" the panel is hinged, not screwed.

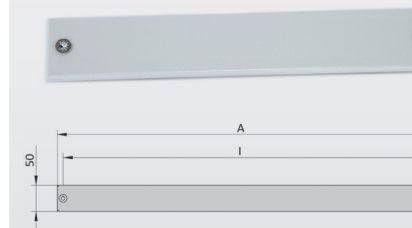
MODULAR COVER with double cut out 92x92 mm					
CODE	Width enclosures		Other dimensions		
	L	A	I	M	
CPX5296	600	491	465	261	
CPX8296	800	691	665	461	
CPX5296C	600	491	465	261	
CPX8296C	800	691	665	461	



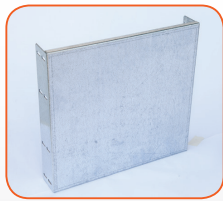
MODULAR COVER with cut out 47 mm						
CODE	Width enclosure		Other dimensions			
	L	A	I	M	Units	
CPZ5422	600	491	465	430	24	
CPZ8422	800	691	665	630	36	
CPZ5422C	600	491	465	430	24	
CPZ8422C	800	691	665	630	36	



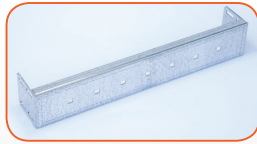
PPC - COMPENSATION PANELS						
CODE	Width enclosure		Other dimensions			
	L	A	I	M	N	
PPC560	600	491	465	-	-	
PPC860	800	691	665	-	-	



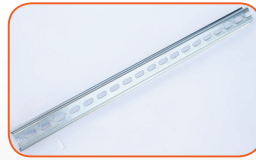
Notes: if the code ends with "C" the panel is hinged, not screwed.



CPR



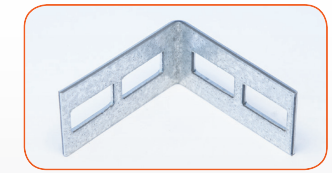
MTK



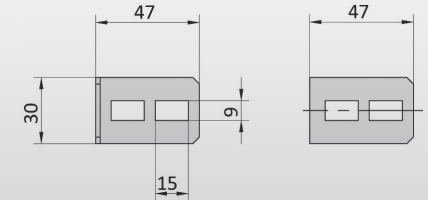
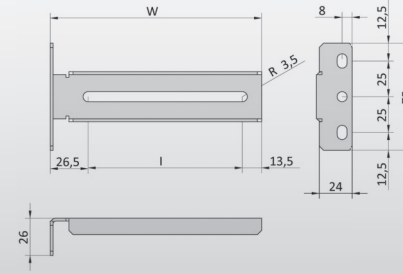
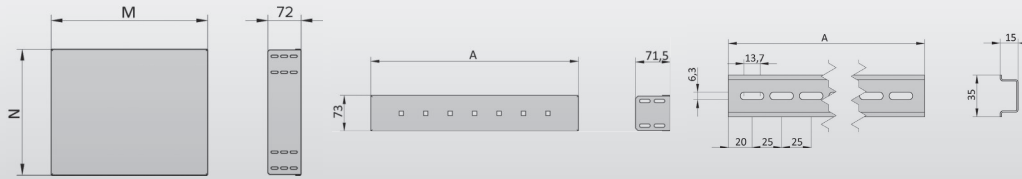
CPP



SGK



CPS5846



ENCLOSURES SERIES OK
OKD – Inner modular elements

CPR - Adjustable modular mounting plates

CODE	Width enclosures		Other dimensions	
	L	M	N	
CPR602	600	425	194	
CPR603	600	425	294	
CPR604	600	425	394	
CPR605	600	425	494	
CPR606	600	425	594	
CPR802	800	625	194	
CPR803	800	625	294	
CPR804	800	625	394	
CPR805	800	625	494	
CPR806	800	625	594	

MTK - DIN Rail supports

CODE	Width enclosures		Other dimensions	
	L	A		
MTK600	600	425	DIN=600	
MTK800	800	625	DIN=800	

CPP - DIN Rail

CODE	Width enclosures		Other dimensions	
	L	A		
CPP344	300	170	DIN L=170	
CPP444	400	270	DIN L=270	
CPP544	500	370	DIN L=370	
CPP644	600	490	DIN L=490	
CPP844	800	690	DIN L=690	

ENCLOSURES SERIES OK
SGK - Brackets for DIN rails regulation

SGK: it is a kit complete with a pair of SGD brackets + 2 brackets CPS5846.

Description: the CPS5846 is movable on the SGD and allows direct fixing of the DIN profile

CPS5846, perforated bracket.

SGK is a kit composed of a pair of SGD + nr. 2 CPS5846 brackets and screws, the CPS5846 bracket slides inside the SGD profile and allows the direct attachment of the DIN profile or other accessories.

SGK - bracket SGD fixing bracket CPS5846

Composition kit		
CODES		
SGK150	SGD150	CPS5846
SGK060	SGD060	CPS5846

CODE	Dimensions	
	W	I
SGD150	148	108
SGD060	58	18

CODE	Dimensions
CPS5846	47x47x30



ENCLOSURES SERIES OKN - Enclosure for industrial PC

Description: OK pre-assembled, complete with top removable panel and adjustable cable entry flanges, on the front it includes an upper door with plexyglass transparent plate 19", an intermediate foldable cover, embedded with a sliding drawer for keyboards, and a lower blind partial door. Internally the enclosure includes 2 horizontal plates screwed above and below the sliding drawer.

The front is composed of:

- an upper door with a 4mm-thick transparent plexiglass porthole for a 19" monitor
- flap door a blind door below

Internally there are two screwed shelves positioned above and below the sliding drawer.

Code OKN includes:

- OK pre-assembled frame with removable top panel and adjustable cable entry flanges
- **RPE** rear panel screwed, painted RAL 7035 textured finish (pag. 24)
- Upper glazed partial door opening 120°
- Sliding drawer with foldable cover
- Lower blind modular door opening 120°
- 2 inner horizontal plates

Elements to be ordered separately:

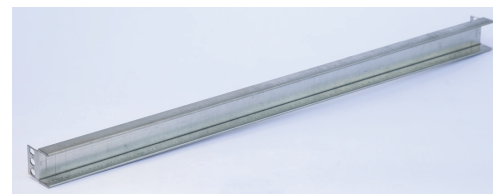
- Pair of side panels **DLK** (pag. 25)
- Plinth h=100 /h=200 **ZAK+FLK** (pag. 40)

CODE	Width enclosures			Other dimensions	
	H	W	D	C	G
OKN1866	1800	600	600	230	690
OKN1886	1800	800	600	230	690
OKN2066	2000	600	600	230	890
OKN2086	2000	800	600	230	890

ENCLOSURES SERIES OKN Accessories for PC enclosures

OKN - Accessories

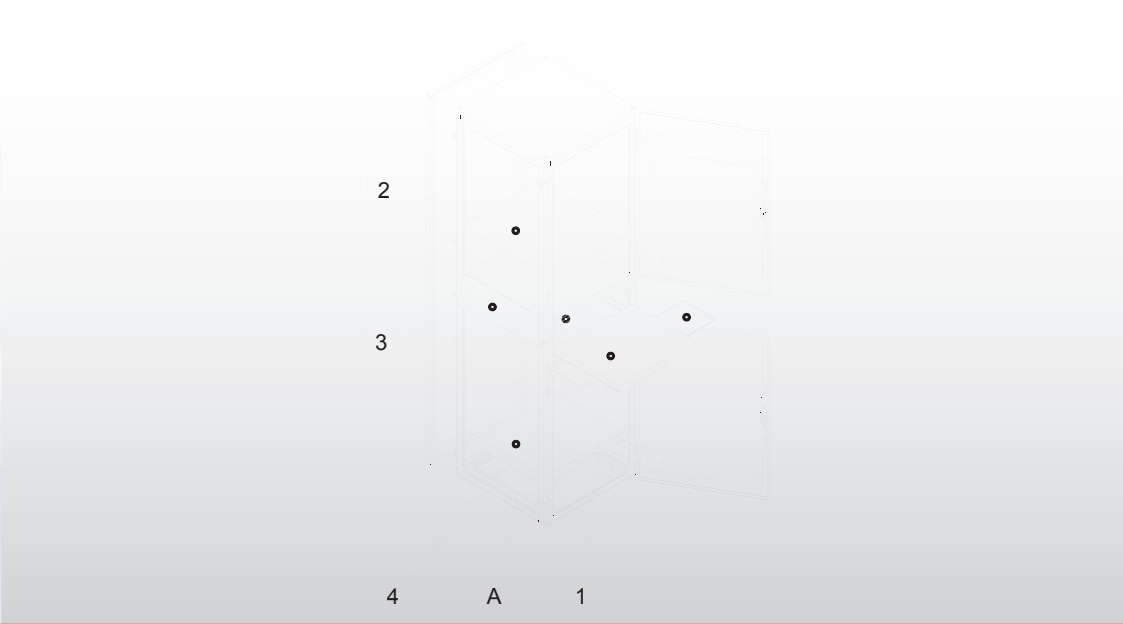
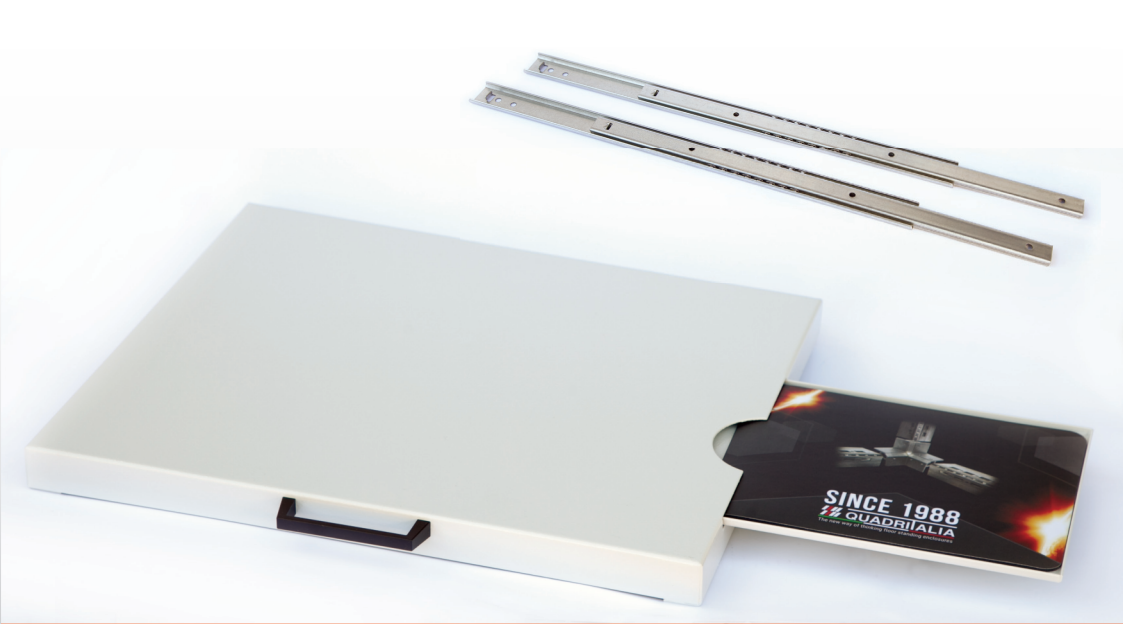
1. Sliding keyboard drawer **PCNK** (with rails)
2. Inner horizontal partition **SOAK**
3. Air-tight cubicle for keyboard **CTSK**
4. Additional sliding drawer **PCNK**
5. Mouse support (mounted on the right, on request on the left) **MSN100**
6. Partial mounting plate **CPMK**



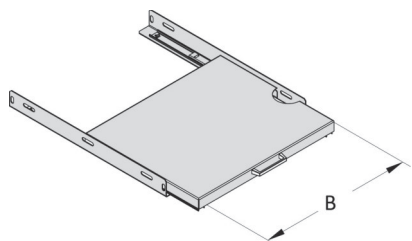
TBK

TBK - DOOR TIE (A)

CODE	Width enclosures		Other dimensions	
	L	T	H	
TBK602	600	502	41	
TBK802	800	702	41	

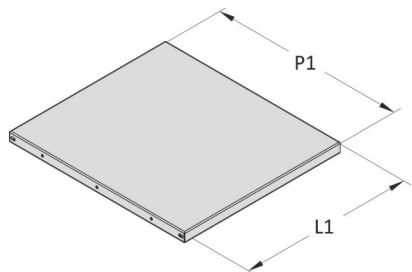


ENCLOSURES SERIES OK
Accessories for PC enclosures



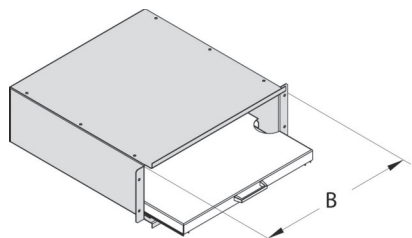
SLIDING KEYBOARD DRAWER (1)

CODE	Width enclosures		Characteristics
	L	B	
PCNK600	600	480	
PCNK800	800	680	



INNER HORIZONTAL MONITOR SUPPORT FOR MONITORS (2)

CODE	Dimensions nominali			Characteristics
	L	P	L1 P1	
SOAK606	600	600	499 561	
SOAK806	800	600	699 561	



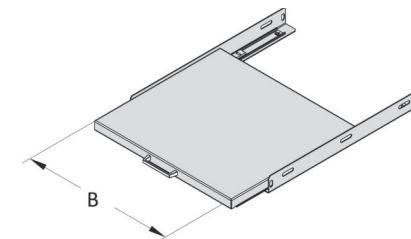
AIR-TIGHT KEYBOARD CUBICLE (3)*

CODE	Width enclosures		Characteristics
	L	B	
CTSK600	600	501	
CTSK800	800	701	

Notes: the air tight cubicle guarantees IP degree of protection, with open drawer. The sliding drawer is standard part of the OKN code.

ADDITIONAL SLIDING DRAWER (4)*

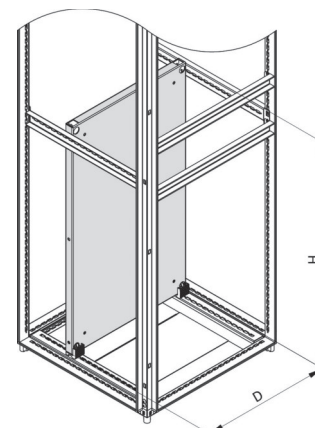
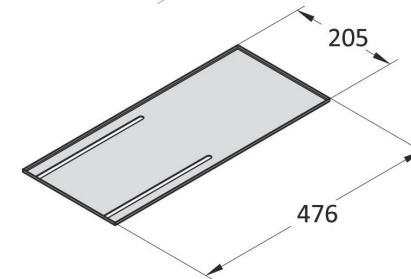
CODE	Width enclosures		Characteristics
	L	B	
PCNK600	600	480	
PCNK800	800	680	



MOUSE SUPPORT FOR KEYBOARD DRAWER

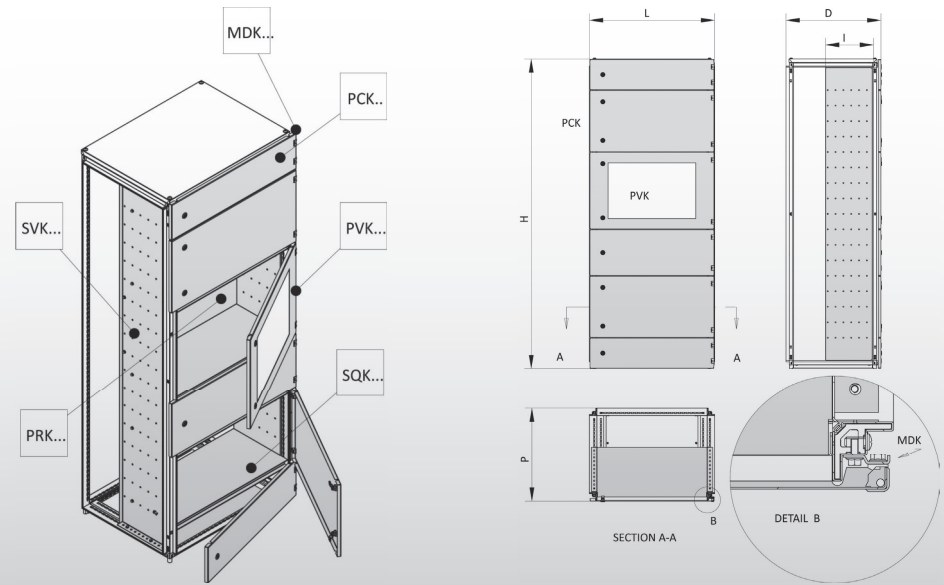
CODE	Width enclosures		Characteristics
	L	B	
MSN100		205x476 (230)	

Notes: Quadritalia mouse pad is provided with the mouse support supplied.



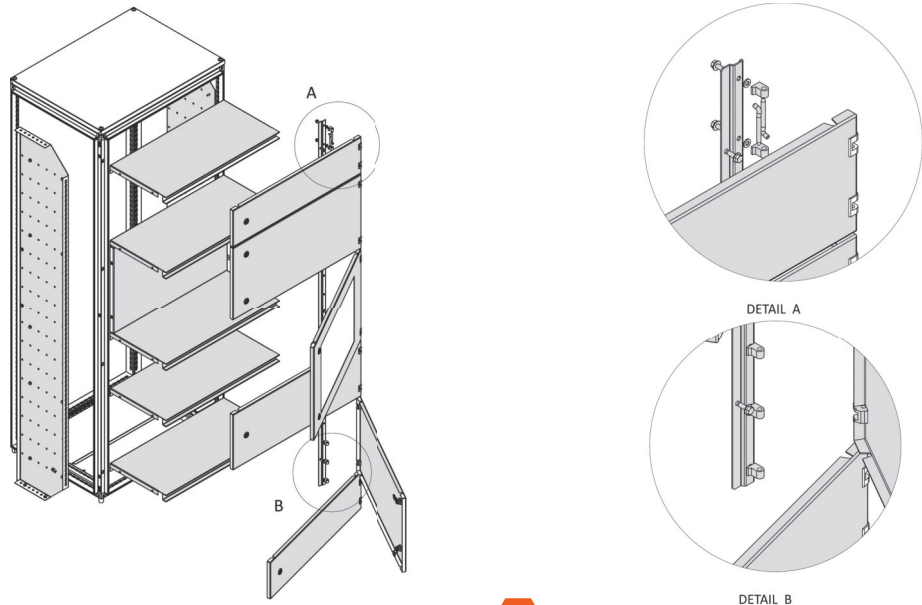
CPMK - PARTIAL MOUNTING PLATE

CODE	Width enclosures		Other dimensions	
	L	D	D	H
CPMK906	600	490	800	
CPMK908	800	690	800	



ENCLOSURES SERIES OK
OK MCC - External modular system

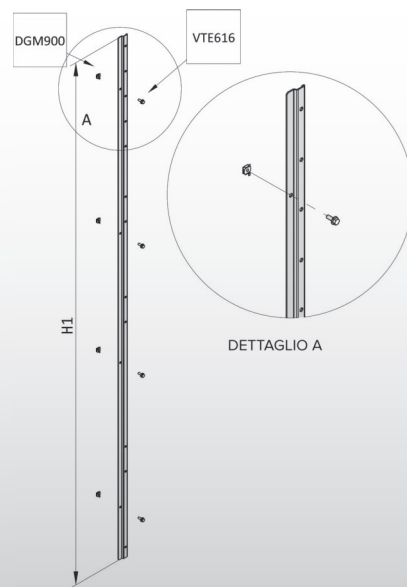
Description: Description: the system of external modular elements for the OK series of enclosures includes several items, such as external modular doors, inner horizontal and vertical partitions, modular mounting plates etc. Detail (A) shows the vertical modular element MDK, which is installed on the vertical upright of the frame, on which the modular doors are fixed by hinges. Detail (B) shows the MDK vertical element and one hinge installed. The MDK allows a highly flexible arrangement of modular doors on standard pattern 200 mm.



ENCLOSURES SERIES OK
OK MCC - External modular elements

Description: The range of elements of the external modular system includes modular external doors code PCK from h= 200 mm to h=1000 mm, available in dimensions on pattern 200 mm. They are also available in glazed version code PVK. They are supplied with the necessary hinges, for the fixing to the MDK vertical modular element, which is installed on the frame of the enclosure, and allows multiple types of arrangements. Other inner elements, such as inner partial mounting plates (PRK) and horizontal partitions (SOK), are installed on the vertical partitions (SVK). These allow the mounting plates to be adjusted in depth, according to the type of vertical partitions (d=200 to d=400 available). The SOK horizontal partitions are embedded with door ties, which guarantee the necessary IP degree. The arrangement of modular doors and inner elements can be easily modified, as the elements are all fixed by screws.

Guide to an OK MCC system assembly:
 On an enclosure h=2000 mm, w=600 mm, 2000 mm is the total height available for modular doors and inner plates, 1 x MDK200 is needed, and -for example- 10 x PCK602, 10 x PRK602 (+ the necessary vertical and horizontal partitions, see following pages).



ENCLOSURES SERIES OK

MDK - External modular element

Description: external modular element, used for fixing the PCK or PVK modular panels in a flexible way, it can be installed either on the right and left vertical element of the frame to the slots usually used for the door hinges of the OK frame. It allows a flexible arrangement of modular doors, according to the height of the enclosure.

Code MDK includes:

- external modular element
- cage nuts and screws for fixing to the frame elements
- screws for the fixing of the external upright

CODE	Nominal dimensions		Depth width	Other Dimensions	
	L	P		D	D
MDK160	1600	1551	38		
MDK180	1800	1751	38		
MDK200	2000	1951	38		
MDK220	2200	2151	38		

TBK - Door tie

Description: for some specific applications the TBK tie is supplied as a separate item from the SOK horizontal partitions.

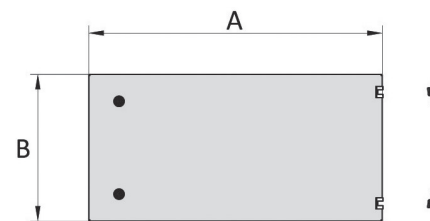


TBK

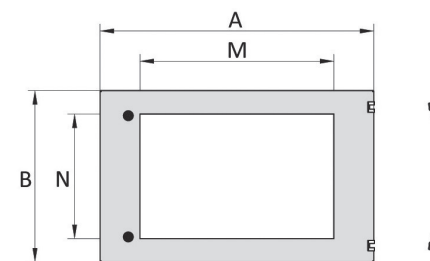
CODE	Nominal dimensions		Depth width	Other Dimensions	
	L	P		D	D
TBK602	600	502	41		
TBK802	800	702	41		
TBKA02	1000	902	41		

ENCLOSURES SERIES OK

PCK - PVK - External modular doors, blind and glazed



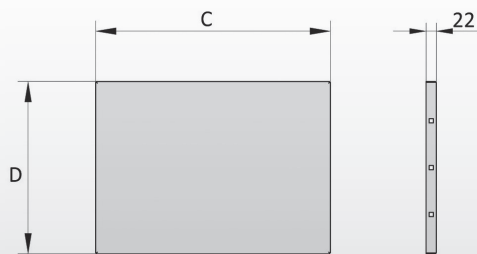
PCK



PVK

PCK and PVK

CODE	Nominal dimensions		Other dimensions		CODE	Other dimensions	
	L	H	A	B		M	N
PCK602	600	200	593	194			
PCK603	600	300	593	294			
PCK604	600	400	593	394	PVK604	360	260
PCK606	600	600	593	594	PVK606	360	460
PCK608	600	800	593	794	PVK608	360	660
PCK610	600	1000	593	994	PVK610	360	860
PCK802	800	200	793	194			
PCK803	800	300	793	294			
PCK804	800	400	793	394	PVK804	560	260
PCK805	800	500	793	494			
PCK806	800	600	793	594	PVK806	560	460
PCK808	800	800	793	794	PVK808	560	660
PCK810	800	1000	793	994	PVK810	560	860
PCKA02	1000	200	993	194			
PCKA04	1000	400	993	394	PVKA04	760	260
PCKA06	1000	600	993	594	PVKA06	760	460
PCKA08	1000	800	993	794	PVKA08	760	660
PCKA10	1000	1000	993	994	PVKA10	760	860



PRK



ENCLOSURES SERIES OK

PRK - Inner partial mounting plate

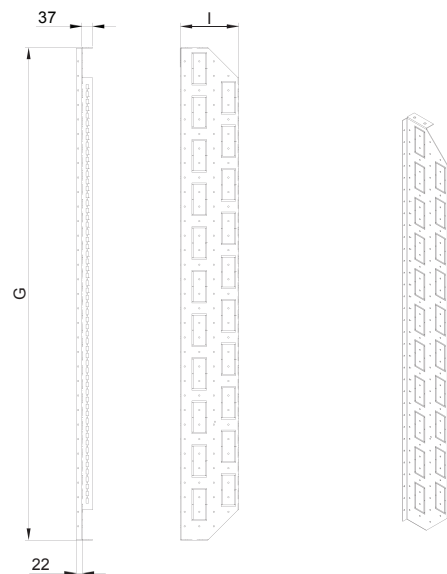
Description: the inner modular plate PRK is fixed by 4 screws to the vertical partitions and is protected by the horizontal partition. It can be adjusted in depth thanks to the slots on the vertical partitions, and according to their depth.

CODE	Nominal dimensions		Other dimensions	
	L	H	C	D
PRK602	600	200	501	180
PRK603	600	300	501	280
PRK604	600	400	501	380
PRK606	600	600	501	580
PRK608	600	800	501	780
PRK610	600	1000	501	980
PRK802	800	200	701	180
PRK803	800	300	701	280
PRK804	800	400	701	380
PRK805	800	500	701	480
PRK806	800	600	701	580
PRK808	800	800	701	780
PRK810	800	1000	701	980
PRKA02	1000	200	901	180
PRKA04	1000	400	901	380
PRKA06	1000	600	901	580
PRKA08	1000	800	901	780
PRKA10	1000	1000	901	980

ENCLOSURES SERIES OK

SVK - Vertical partition

Description: the vertical partitions are in galvanised steel and are ready for the fixing of the inner mounting plates and horizontal partitions, thanks to the slots on a regular pattern.

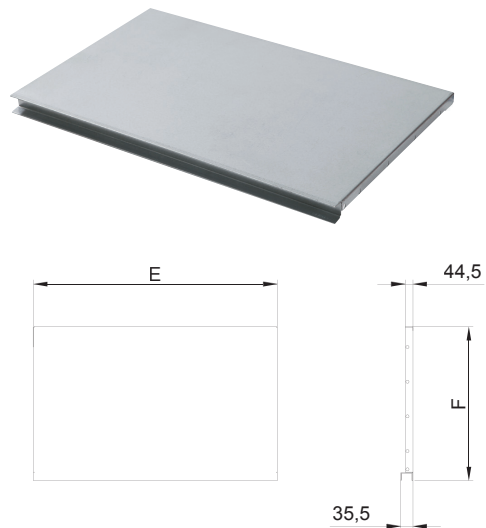


CODE	Nominal dimensions		Other dimensions	
	H	G	I	
SVK182	1800	1694	200	
SVK202	2000	1894	200	
SVK222	2200	2094	200	
SVK184	1800	1694	400	
SVK204	2000	1834	400	
SVK224	2200	2094	400	



ENCLOSURES SERIES OK
SOK...T – Horizontal partition

Description: the horizontal partitions are in galvanized steel and are embedded with the door tie for the modular doors.



CODE	Nominal dimensions		Other dimensions	
	H	E	F	
SOK602T	600	501	250	
SOK802T	800	701	250	
SOKA02T	1000	901	250	
SOK604T	600	501	450	
SOK804T	800	701	450	
SOKA04T	1000	901	450	

Note: if the code ends with "TG" the panel has to be considered including slot spaces

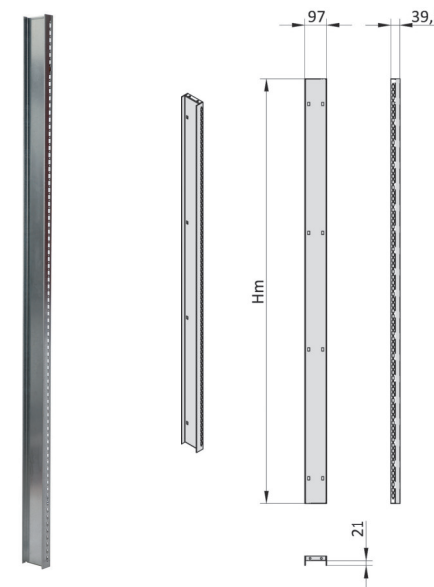
ENCLOSURES SERIES OK
MCK – Intermediate modular

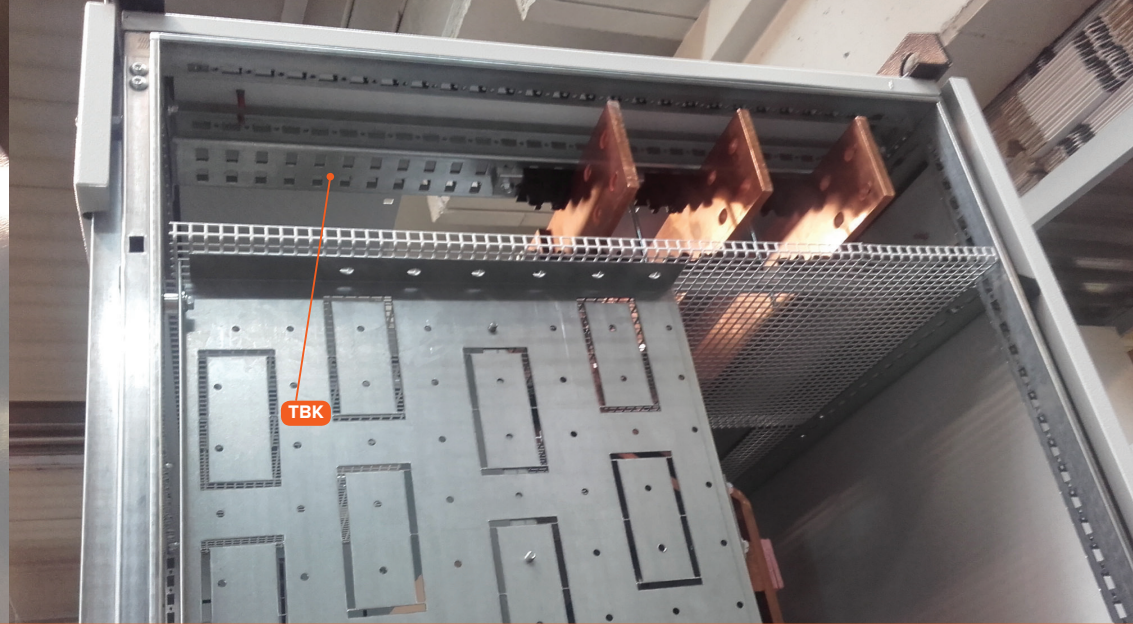
Description: the intermediate upright is available for the complete range of heights of the OK series enclosures, it is used as a front element between modular doors for MCC systems and cable chambers, or as reinforcing element for rear panels

- Code MCK includes:**
- Intermediate modular upright **MCK**
 - N° 4 cage nuts **DGM900**
 - N° 4 screws M6x16 hexagon head

- Available on request:**
- door fixing hinges
 - panels fixing clips

CODE	Nominal dimensions		Other dimensions
	H	Hm	
MCK160	1600	1495	97
MCK180	1800	1695	97
MCK200	2000	1895	97
MCK220	2200	2095	97





ENCLOSURES SERIES OK

TBK...D - Pairs of mounting profiles for securing segregation net

Description: the special TBK ... D profiles are made in pairs to act as doors for the upper part of the panel. Thanks to these mounting profiles it is possible to install the SOK...R segregation net that support them, creating the busbar compartment inside the enclosure.

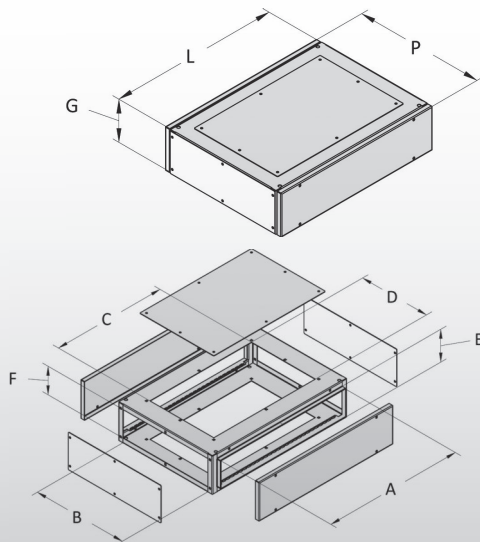
CODE	Nominal dimensions	
	L	
TBK602D	600	
TBK802D	800	
TBKA02D	1000	
TBKCO2D	1200	
TBKDO2D	1400	
TBKE02D	1600	

ENCLOSURES SERIES OK

TPS – Bar holder crossbar

Description: special crossbar specifically designed to support copper bars in low voltage electrical power distribution boards. They are made with height H = 70 and length L = 600 or L = 800.

CODE	Nominal dimensions	
	H	L
TPS610	70	600
TPS810	70	800



ENCLOSURES SERIES OK CCTK – Top cable compartment

Description: the top cable compartment for the OK series is used for cable sections, ventilation sections, busbar sections. They can be coupled when the enclosures are joined together. Degree of protection is IP 55.

Code CCTK includes:

- Structure in pressbent steel sheet
- Pair of front and rear panels screwed
- Top panel screwed
- Screws

Additional elements:

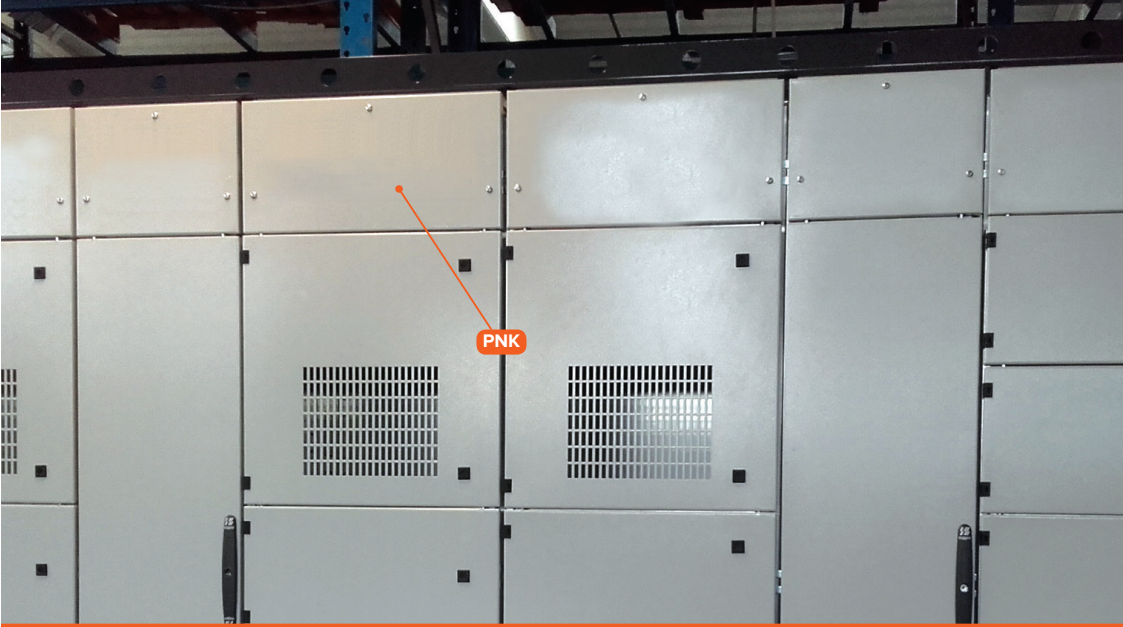
- Pair of side panels **CCTK/F**
- Lifting eyebolts (pag. 57)

CODE	Nominal dimensions			Other dimensions						Couple of side panels	
	L	P	G	A	B	C	D	E	T	CODE	
CCTK662	600	600	200	538	505	404	380	138	147	CCTK600/F	
CCTK682	600	800	200	538	705	404	580	138	147	CCTK800/F	
CCTK862	800	600	200	738	505	604	380	138	147	CCTK600/F	
CCTK882	800	800	200	738	705	604	580	138	147	CCTK800/F	
CCTKA62	1000	600	200	938	505	804	380	138	147	CCTK600/F	
CCTKA82	1000	800	200	938	705	804	580	138	147	CCTK800/F	
CCTKC62	1200	600	200	1138	505	1004	380	138	147	CCTK600/F	
CCTKC82	1200	800	200	1138	705	1004	580	138	147	CCTK800/F	
CCTK663	600	600	250	538	505	404	380	188	197	CCTK601/F	
CCTK683	600	800	250	538	705	404	580	188	197	CCTK801/F	
CCTK863	800	600	250	738	505	604	380	188	197	CCTK601/F	
CCTK883	800	800	250	738	705	604	580	188	197	CCTK801/F	
CCTKA63	1000	600	250	938	505	804	380	188	197	CCTK601/F	
CCTKA83	1000	800	250	938	705	804	580	188	197	CCTK801/F	
CCTKC63	1200	600	250	1138	505	1004	380	188	197	CCTK601/F	
CCTKC83	1200	800	250	1138	705	1004	580	188	197	CCTK801/F	

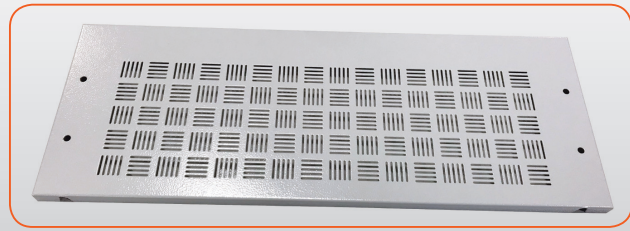
ENCLOSURES SERIES OK SOK...R – Segregation net

Description: the segregation net acts as an alternative to the cable channel from the roof to create a cable compartment or a busbar compartment exploiting the nominal height of the cabinet. Placed in the upper part and screwed to the frame uprights, it allows the creation of a separate space without increasing the external bulk.

CODE	Nominal dimensions	
	L	P
SOK604R	600	400
SOK605R	600	500
SOK606R	600	600
SOK608R	600	800
SOK804R	800	400
SOK805R	800	500
SOK806R	800	600
SOK808R	800	800
SOKA04R	1000	400
SOKA05R	1000	500
SOKA06R	1000	600
SOKA08R	1000	800
SOKC04R	1200	400
SOKC05R	1200	500
SOKC06R	1200	600
SOKC08R	1200	800



SLOT SPACES



CORRUGATED SPACES

ENCLOSURES SERIES OK

PNK... – Upper screwed blind panel

Description: the upper screwed panels, coupled with the SOK...R segregation net, allow the creation of a cable compartment in the upper part of the cabinet using only the frame, without the addition of cable channels. PNK... panels can be made in H=200 or H=300 depending on the height of the panel. This article is always intended as a couple.

PNK			
CODE	Nominal dimensions		
	L	H	
PNK402	400	200	
PNK403	400	300	
PNK502	500	200	
PNK503	500	300	
PNK602	600	200	
PNK603	600	300	
PNK802	800	200	
PNK803	800	300	
PNKA02	1000	200	
PNKA03	1000	300	
PNKC02	1200	200	
PNKC03	1200	300	

ENCLOSURES SERIES OK

PNK...TG/GR – Upper screwed blind panel slotted and ribbed

Description: the screwed upper panels slotted or corrugated, always coupled with the SOK ... R segregation networks, allow the creation of a cable compartment in the upper part of the cabinet using only the frame, without the addition of cable channels, as in the case of the previous page, guaranteeing however the natural ventilation of the room thanks to special holes. The PNK ... TG and PNK ... GR panels can be made in H=200 or H=300 depending on the height of the panel. These articles are always given in pairs.

PNK				
CODE	Nominal dimensions			
	Slot spaces	Corrugated	L	H
PNK402TG	PNK402GR	400	200	
PNK403TG	PNK403GR	400	300	
PNK502TG	PNK502GR	500	200	
PNK503TG	PNK503GR	500	300	
PNK602TG	PNK602GR	600	200	
PNK603TG	PNK603GR	600	300	
PNK802TG	PNK802GR	800	200	
PNK803TG	PNK803GR	800	300	
PNKA02TG	PNKA02GR	1000	200	
PNKA03TG	PNKA03GR	1000	300	
PNKC02TG	PNKC02GR	1200	200	
PNKC03TG	PNKC03GR	1200	300	