



**INOX**



# CONSOLES



## INOX CONSOLES

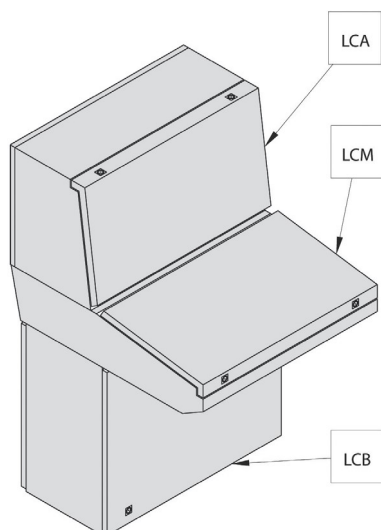
### Modular and monoblock consoles IP 55

**Description:** the production of Quadritalia pulpits is made up of the LC, BLC, LAS, BLD, LAR series. They are all made of steel AISI 304 stainless steel scotch-brite press-folded and welded and guaranteed for an IP55 degree of protection. Inside can be installed internal plate in 20/10 galvanized sheet, adjustable for some models in the direction of depth.

#### Available versions of stainless steel consoles:

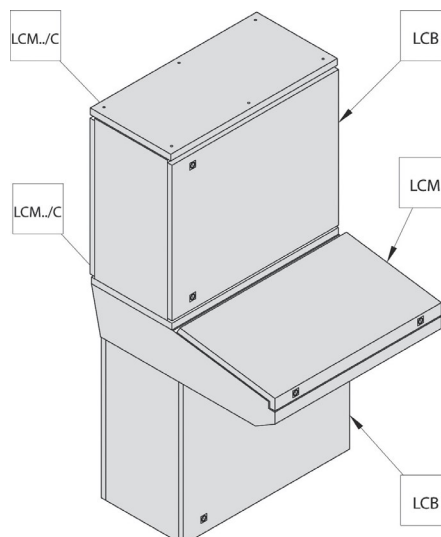
- **LC...X** modular console
- **BLC...X** monobloc pulpit
- **BLD...X** monobloc control desk
- **LAR...X** monobloc console with stand
- **LAS...X** monobloc console with shelf and riser

Console composed by: \_\_\_\_\_  
LCA - LCM - LCB



Possible  
compositions

Console composed by:  
N° 2 LCB - LCM../C - LCM



**Notes:** the standard front door of the consoles has the hinges on the right side and the closing boxes on the left



## INOX CONSOLES LC - Modular consoles

**Description:** the LC series modular lecterns are designed to ensure maximum modularity and configurability.

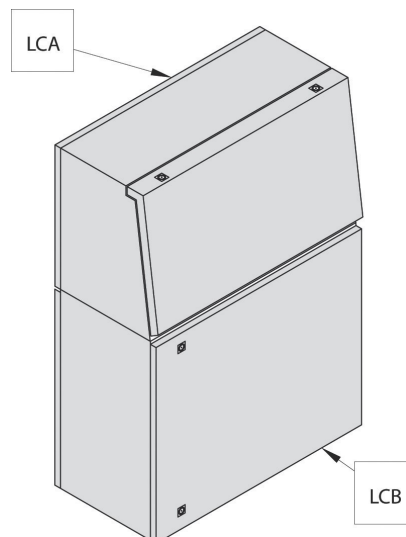
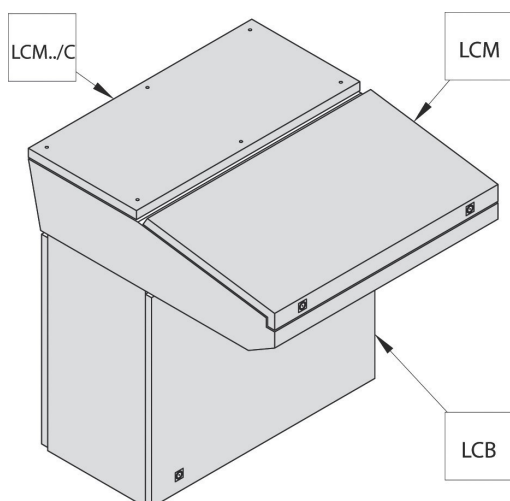
**LC series is composed by the following elements:**

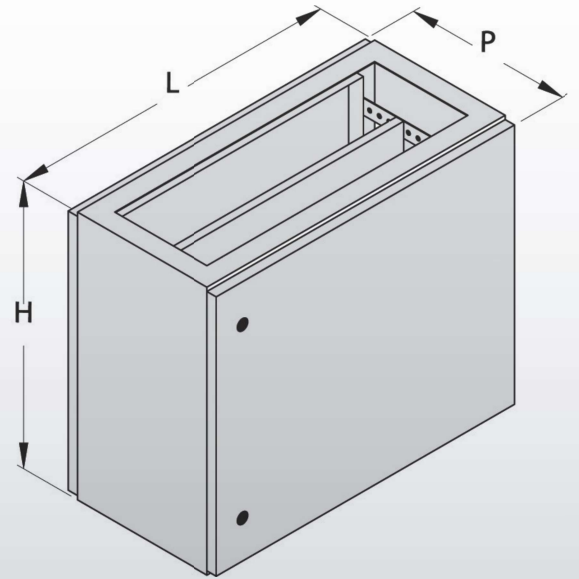
- **LCB...X** base element with inner mounting plate
- **LCA...X** upper element without inner mounting plate
- **LCM...X** desk element without cover
- Electromechanical plate for the upper element cod. **LCA/P**
- Desk cover **LCM.../CX**
- Plinth code **ZAK...X** + side flanges code **FLK...X** (H=100 or 200 mm) (page 18)

Console composed by:  
LCM - LCM../C - LCB

**Possible  
compositions**

Console composed by:  
LCA - LCB





## INOX CONSOLES

### LCB - Base element for modular consoles

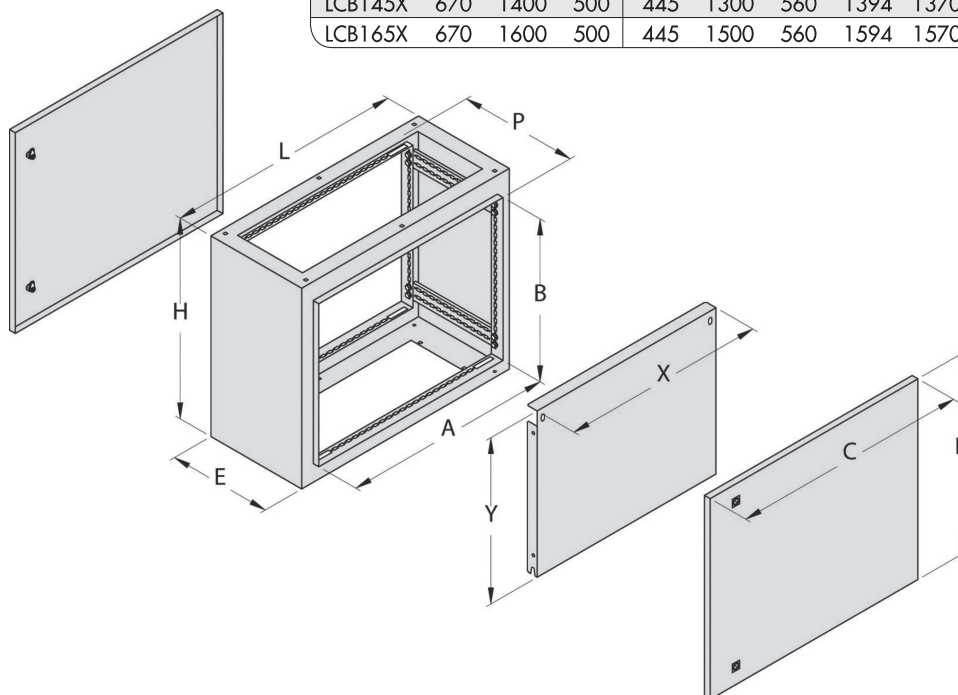
#### Code LCB includes:

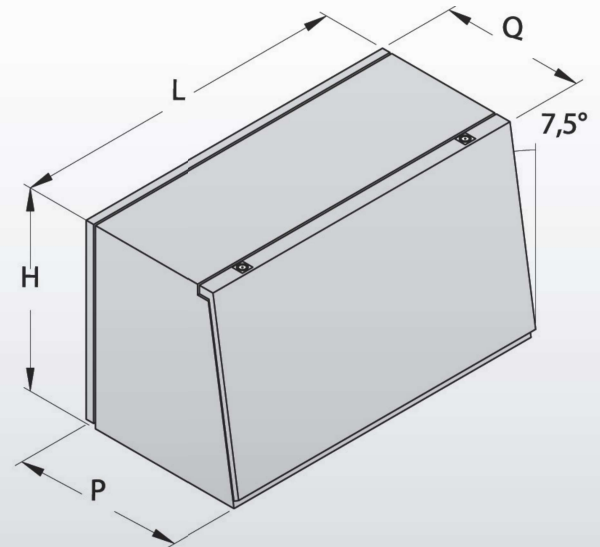
- Structure in pressbent steel sheet
- Front door
- Rear door
- Mounting plate

#### Additional elements:

- Plinth code ZAK...X H=100/200mm + side flanges code FLK...X (page 18)

CODE	Nominal dimensions			Other dimensions					Inner code and Dim.		
	H	L	P	E	A	B	C	D	Inner code	X	Y
LCB064X	670	600	400	345	500	560	594	570	LCB064/P	490	555
LCB084X	670	800	400	345	700	560	794	770	LCB084/P	690	555
LCB104X	670	1000	400	345	900	560	994	970	LCB104/P	890	555
LCB124X	670	1200	400	345	1100	560	1194	1170	LCB124/P	1090	555
LCB144X	670	1400	400	345	1300	560	1394	1370	LCB144/P	1290	555
LCB164X	670	1600	400	345	1500	560	1594	1570	LCB164/P	1490	555
LCB065X	670	600	500	445	500	560	594	570	LCB064/P	490	555
LCB085X	670	800	500	445	700	560	794	770	LCB084/P	690	555
LCB105X	670	1000	500	445	900	560	994	970	LCB104/P	890	555
LCB125X	670	1200	500	445	1100	560	1194	1170	LCB124/P	1090	555
LCB145X	670	1400	500	445	1300	560	1394	1370	LCB144/P	1290	555
LCB165X	670	1600	500	445	1500	560	1594	1570	LCB164/P	1490	555





## INOX CONSOLES

### LCA - Upper element for modular consoles

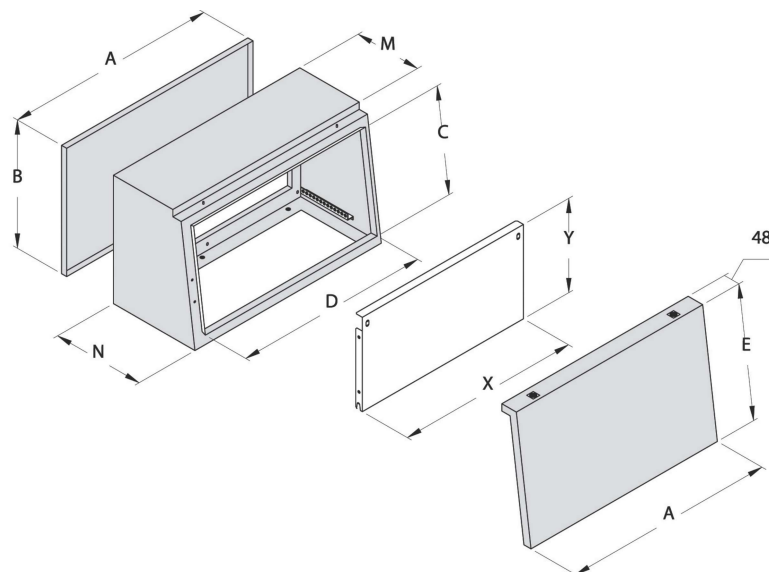
#### Code LCA includes:

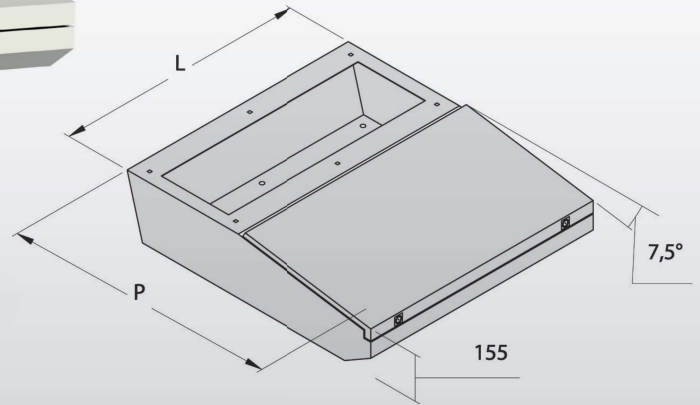
- Structure in pressbent steel sheet
- Front hinged cover
- Rear screwed panel
- Fixing point to desk element

#### Additional elements:

- Mounting plate

CODE	Nominal dimensions			Other dimensions								Inner code and Dim.		
	H	L	P	Q	A	B	C	D	M	N	E	Inner plate	X	Y
LCA064X	490	600	400	330	596	476	370	520	255	348,5	469	LCA064/P	490	410
LCA084X	490	800	400	330	796	476	370	720	255	348,5	469	LCA084/P	690	410
LCA104X	490	1000	400	330	996	476	370	920	255	348,5	469	LCA104/P	890	410
LCA124X	490	1200	400	330	1196	476	370	1120	255	348,5	469	LCA124/P	1090	410
LCA144X	490	1400	400	330	1396	476	370	1320	255	348,5	469	LCA144/P	1290	410
LCA164X	490	1600	400	330	1596	476	370	1520	255	348,5	469	LCA164/P	1490	410
LCA065X	490	600	500	430	596	476	370	520	355	448,5	469	LCA064/P	490	410
LCA085X	490	800	500	430	796	476	370	720	355	448,5	469	LCA084/P	690	410
LCA105X	490	1000	500	430	996	476	370	920	355	448,5	469	LCA104/P	890	410
LCA125X	490	1200	500	430	1196	476	370	1120	355	448,5	469	LCA124/P	1090	410
LCA145X	490	1400	500	430	1396	476	370	1320	355	448,5	469	LCA144/P	1290	410
LCA165X	490	1600	500	430	1596	476	370	1520	355	448,5	469	LCA164/P	1490	410





## INOX CONSOLES LCM, LCM../C - Desk and cover

### Code LCM include:

- Pressbent desk structure
- Hinged cover
- fixing points to base and upper elements **LCB**

### Additional elements:

- Horizontal panel **LCM../C**

CODE	Nominal dimensions			Other dimensions			Upper cover code		
	H	L	P	C	D	E	codes and dim. upper cover	A	B
LCM064X	200	600	885	370	520	473	LCM064/C	598	345
LCM084X	200	800	885	370	720	473	LCM084/C	798	345
LCM104X	200	1000	885	370	920	473	LCM104/C	998	345
LCM124X	200	1200	885	370	1120	473	LCM124/C	1198	345
LCM144X	200	1400	885	370	1320	473	LCM144/C	1398	345
LCM164X	200	1600	885	370	1520	473	LCM164/C	1598	345
LCM065X	200	600	985	370	520	473	LCM065/C	598	445
LCM085X	200	800	985	370	720	473	LCM085/C	798	445
LCM105X	200	1000	985	370	920	473	LCM105/C	998	445
LCM125X	200	1200	985	370	1120	473	LCM125/C	1198	445
LCM145X	200	1400	985	370	1320	473	LCM145/C	1398	445
LCM165X	200	1600	985	370	1520	473	LCM165/C	1598	445

