



STB - CDB SERIES



BOXES



STX SERIES BOXES

Series ST - Wall mount boxes IP66

Description: The series “ST” of wall mount boxes are made up of pressbent stainless steel sheet and have hidden hinges. The box body has a triple angle along the edge of contact with the door, guaranteeing IP66 degree of protection. The inner mounting plate is made in galvanised steel thick 2.0 mm and is fixed to the box by screws welded on the box body.

General characteristics:

- Fully welded ST...X structure made of steel sheet with bent profile and triple-angle channel
- Cable entry in the lower part
- Bottom closing flange with sealing gasket
- Internal STP plate in 20/10 thick galvanized steel sheet
- hinged STC...X front door with 120 ° opening angle (on request 180 °) reversible, fitted with perimeter seal
- Nr. 1 or nr. 2 PVC closing boxes depending on the size (with H > = 700, 2 boxes)
- M6 copper-plated screws for earthing, on structure and door, which guarantee electrical continuity throughout the structure

Available versions of ST series:

STB...X - blind door

STV...X - blind internal door and transparent external door

STM...X - transparent external door and internal modular structure for internal modular panels

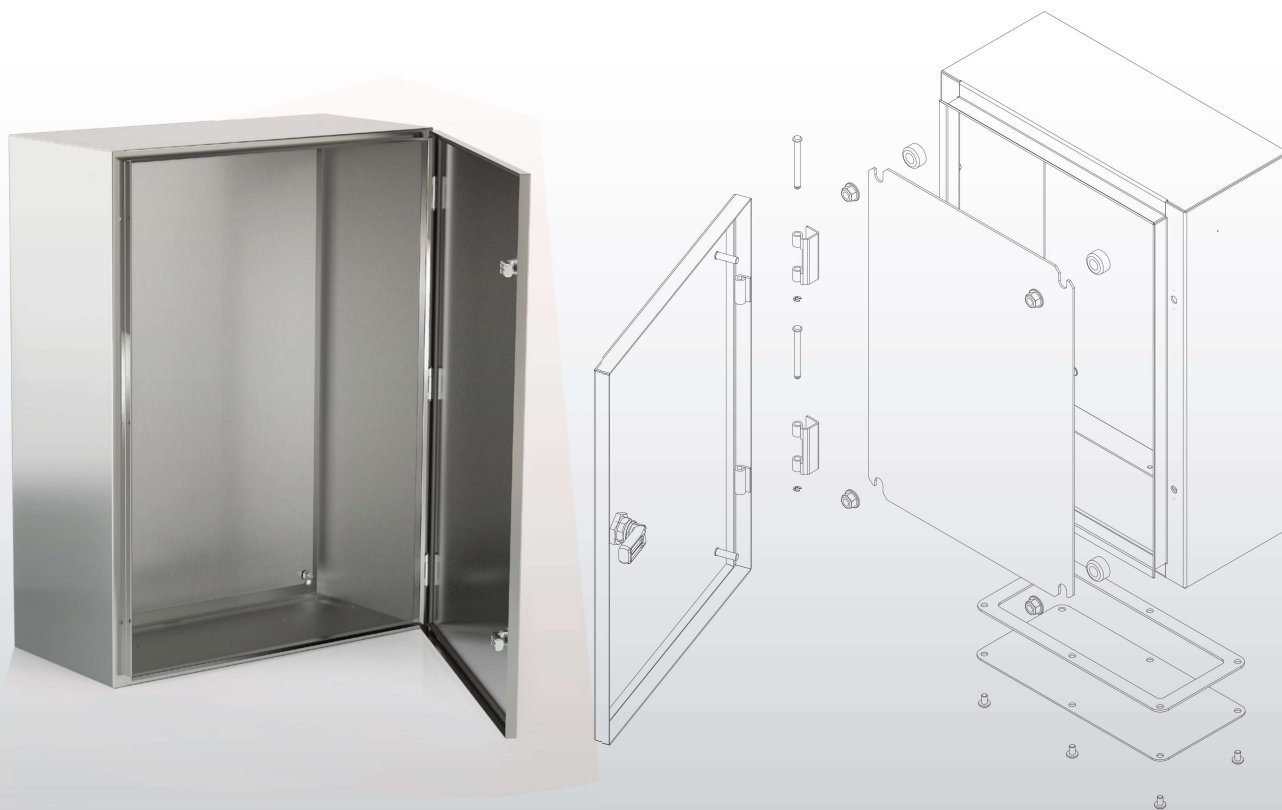
Protection:

- IP66, IEC 62208 ; CEI EN 62262
- IK10, IEC 62208 ; CEI EN 62262
- Nema type 4: CSA22.2,941 e 942, UL508a

General features:

- external panel thickness 15/10
- door thickness 20/10
- mounting plate thickness 20/10





STX SERIES BOXES

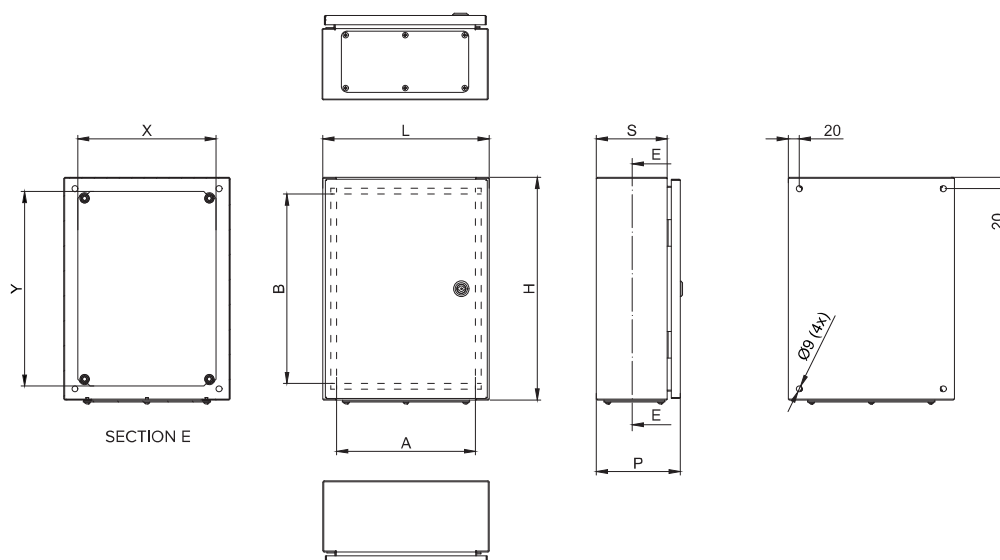
STB - Wall mount boxes with single door

Code STB includes:

- Monoblock welded structure
- Cable entry and flange on the bottom
- Mounting plate
- Blind door with PVC lock double bar type 20/10
- hinged STC front door with 120 ° opening angle (on request 180 °) reversible, fitted with perimeter gasket
- nr. 1 or nr. 2 PVC closing boxes depending on the size ($H \geq 700$, 2 box)
- M6 copper-plated screws for earthing, on structure and door, which guarantee electrical continuity throughout the Structure

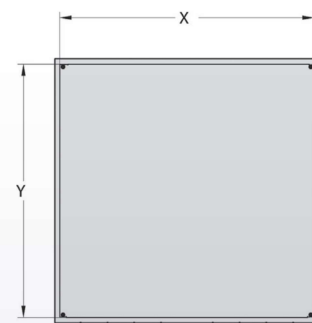
Items on request:

- wall hanger kit cod. **SFM400X** (page 58)

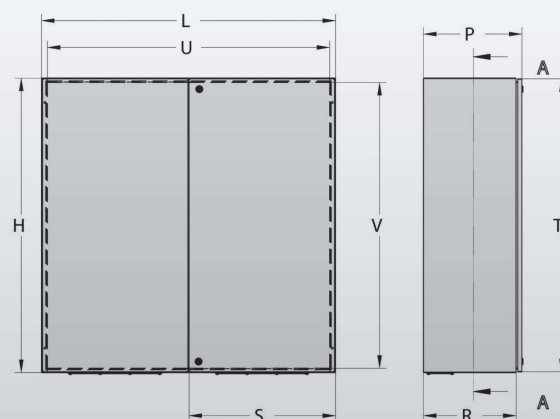


STB - Wall mount boxes with single door

CODE	Nominal dimensions			Other dimensions			Code and Dim. Inner plate		
	H	L	P	S	A	B	Plate code	X	Y
STB302015X	300	200	150	126	152	265	STP3020	150	250
STB302515X	300	250	150	126	202	265	STP3025	200	250
STB302520X	300	250	200	176	202	265	STP3025	200	250
STB303015X	300	300	150	126	252	265	STP3030	250	250
STB352515X	350	250	150	126	202	315	STP3525	200	300
STB352520X	350	250	200	176	202	315	STP3525	200	300
STB403015X	400	300	150	126	252	365	STP4030	250	350
STB403020X	400	300	200	176	252	365	STP4030	250	350
STB404020X	400	400	200	176	352	365	STP4040	350	350
STB406020X	400	600	200	176	552	365	STP4060	550	350
STB503015X	500	300	150	126	252	465	STP5030	250	450
STB503020X	500	300	200	176	252	465	STP5030	250	450
STB503515X	500	350	150	126	302	465	STP5035	300	450
STB503520X	500	350	200	176	302	465	STP5035	300	450
STB504016X	500	400	160	136	352	465	STP5040	350	450
STB504020X	500	400	200	176	352	465	STP5040	350	450
STB504025X	500	400	250	226	352	465	STP5040	350	450
STB505020X	500	500	200	176	452	465	STP5050	450	450
STB604020X	600	400	200	176	352	565	STP6040	350	550
STB604025X	600	400	250	226	352	565	STP6040	350	550
STB606020X	600	600	200	176	552	565	STP6060	550	550
STB606025X	600	600	250	226	552	565	STP6060	550	550
STB606030X	600	600	300	276	552	565	STP6060	550	550
STB604040X	600	400	400	376	352	565	STP6040	350	550
STB606040X	600	600	400	376	552	565	STP6060	550	550
STB705020X	700	500	200	176	452	665	STP7050	450	650
STB705025X	700	500	250	226	452	665	STP7050	450	650
STB805020X	800	500	200	176	452	765	STP8050	450	750
STB805025X	800	500	250	226	452	765	STP8050	450	750
STB806020X	800	600	200	176	552	765	STP8060	550	750
STB806025X	800	600	250	226	552	765	STP8060	550	750
STB806030X	800	600	300	276	552	765	STP8060	550	750
STB808030X	800	800	300	276	752	765	STP8080	750	750
STB806040X	800	600	400	376	552	765	STP8060	550	750
STB808040X	800	800	400	376	752	765	STP8080	750	750
STB906020X	900	600	200	176	552	865	STP9060	550	850
STB906025X	900	600	250	226	552	865	STP9060	550	850
STB906030X	900	600	300	276	552	865	STP9060	550	850
STB106025X	1000	600	250	226	552	965	STP1060	550	950
STB106030X	1000	600	300	276	552	965	STP1060	550	950
STB108020X	1000	800	200	176	752	965	STP1080	750	950
STB108025X	1000	800	250	226	752	965	STP1080	750	950
STB108032X	1000	800	320	296	752	965	STP1080	750	950
STB106040X	1000	600	400	376	552	965	STP1060	550	950
STB108040X	1000	800	400	376	752	965	STP1080	750	950
STB126030X	1200	600	300	276	552	1165	STP1260	550	1150
STB128025X	1200	800	250	226	752	1165	STP1280	750	1150
STB128030X	1200	800	300	276	752	1165	STP1280	750	1150
STB126040X	1200	600	400	376	552	1165	STP1260	550	1150
STB128040X	1200	800	400	376	752	1165	STP1280	750	1150
STB146040X	1400	600	400	376	552	1365	STP1460	550	1350
STB148040X	1400	800	400	376	752	1365	STP1480	750	1350



SEZIONE A-A



STX SERIES BOXES

STB - Wall mount boxes with double doors

Description: STB boxes are supplied also in double door version. The pair of doors is reversible. (IP55 protection)

Code ST double door includes:

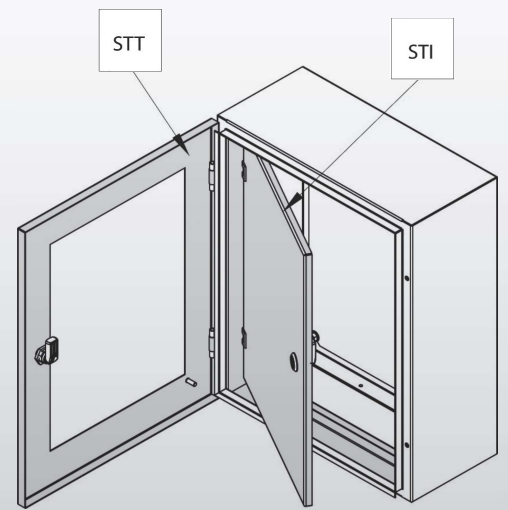
- Monoblock welded box body
- Cable entry and gland plate with gasket
- bottom closing flange with sealing gasket
- **STP** internal plate in thick galvanized steel sheet 20/10
- Double doors with PVC lock, 3 mm double bar type
- Mounting plate
- pair of hinged **STC** doors with 120 ° opening angle (180 ° upon request)
- reversible, fitted with of perimeter gasket
- nr. 1 or nr. 2 PVC closing boxes depending on the size ($H \geq 700$, 2 box)
- M6 copper-plated screws for earthing, on structure and door, which guarantee electrical continuity throughout the structure

Items on request:

- wall hanger kit cod. **SFM400X** (page 58)

CODE	Nominal dimensions			Other dimensions					Inner plate	
	H	L	P	R	S	T	U	V	X	Y
STB608030X	600	800	300	276	394	593	565	752	748	548
STB601230X	600	1200	300	276	793	593	565	1152	1148	548
STB601430X	600	1400	300	276	694	593	565	1352	1348	548
STB601440X	600	1400	400	376	694	593	565	1352	1348	548
STB601640X	600	1600	400	376	794	593	565	1552	1548	548
STB801020X	800	1000	200	176	494	793	765	952	948	748
STB801030X	800	1000	300	276	494	793	765	952	948	748
STB801220X	800	1200	200	176	594	793	765	1152	1148	748
STB801230X	800	1200	300	276	594	793	765	1152	1148	748
STB801240X	800	1200	400	376	594	793	765	1152	1148	748
STB801440X	800	1400	400	376	694	793	765	1352	1348	748
STB801640X	800	1600	400	376	794	793	765	1552	1548	748
STB801840X	800	1800	400	376	894	793	765	1752	1748	748
STB802040X	800	2000	400	376	994	793	765	1952	1948	748
STB101030X	1000	1000	300	276	494	993	965	952	948	948
STB101230X	1000	1200	300	276	594	993	965	1152	1148	948
STB101640X	1000	1600	400	376	794	993	965	1552	1548	948
STB101840X	1000	1800	400	376	894	993	965	1752	1748	948
STB102040X	1000	2000	400	376	994	993	965	1952	1948	948
STB121030X	1200	1000	300	276	494	1193	1165	952	948	1148
STB121230X	1200	1200	300	276	594	1193	1165	1152	1148	1148
STB121240X	1200	1200	400	376	594	1193	1165	1152	1148	1148

N.B.: on request product available in AISI 316L version



STX SERIES BOXES

STV - Wall mount boxes with single glazed door

The STV code includes:

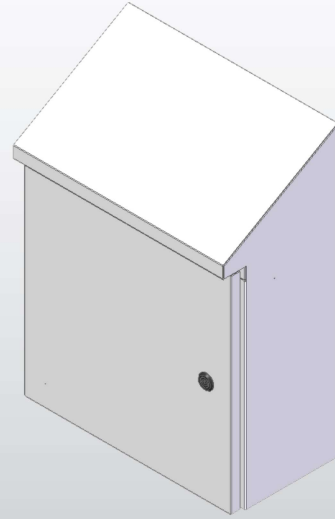
- **ST...X** completely welded structure made of AISI 304 scotch-brite stainless steel with bent profile and triple angle channel
- **STP** internal plate in galvanized steel sheet 20/10 thickness
- **STT...X** transparent hinged front door with opening angle of 120° (180° on request) reversible, equipped with perimeter gasket foamed
- no. 1 or nr. 2 closing boxes in chromed zamak double fin 3mm depending on the size (with H >= 700, 2 boxes)
- **STI...X** frame for internal door and internal door with 3mm double fin chromed zamak box
- M6 copper-plated screws for earthing, on the structure and door, which guarantee electrical continuity throughout the structure

Items on request:

- wall hanger kit cod. **SFM400X** (page 58)

CODE	Nominal dimensions			Other dimensions		Inner plate	
	H	L	P	S	T	X	Y
STV403020X	400	300	200	176	50	250	350
STV404020X	400	400	200	176	50	350	350
STV406020X	400	600	200	176	50	550	350
STV503015X	500	300	150	126	50	250	450
STV503020X	500	300	200	176	50	250	450
STV503515X	500	350	150	126	50	300	450
STV503520X	500	350	200	176	50	300	450
STV504016X	500	400	160	136	50	350	450
STV504020X	500	400	200	176	50	350	450
STV504025X	500	400	250	226	50	350	450
STV505020X	500	500	200	176	50	450	450
STV604020X	600	400	200	176	50	350	550
STV604025X	600	400	250	226	50	350	550
STV606020X	600	600	200	176	50	550	550
STV606025X	600	600	250	226	50	550	550
STV606030X	600	600	300	276	50	550	550
STV705020X	700	500	200	176	50	450	650
STV705025X	700	500	250	226	50	450	650
STV805020X	800	500	200	176	50	450	750
STV805025X	800	500	250	226	50	450	750
STV806020X	800	600	200	176	50	550	750
STV806025X	800	600	250	226	50	550	750
STV806030X	800	600	300	276	50	550	750
STV808030X	800	800	300	276	50	750	750
STV906020X	900	600	200	176	50	550	850
STV906025X	900	600	250	226	50	550	850
STV906030X	900	600	300	276	50	550	850
STV106025X	1000	600	250	226	50	550	950
STV106030X	1000	600	300	276	50	550	950
STV108020X	1000	800	200	176	50	750	950
STV108025X	1000	800	250	226	50	750	950
STV108032X	1000	800	320	296	50	750	950
STV126030X	1200	600	300	276	50	550	1150
STV128025X	1200	800	250	226	50	750	1150
STV128030X	1200	800	300	276	50	750	1150

N.B.: on request product available in AISI 316L version



STX SERIES BOXES

STO - Outdoor boxes IP66

Description: the boxes of the STO ... X series are made for use in the pharmaceutical, food and dairy industries in areas where there is a need to carry out continuous washing. Thanks to the 30 ° inclined roof integrated into the body box comes the crack between the door and the container is also protected, to prevent the deposit of objects and dirt and help drainage liquids.

STO - Hygienic design version

Description: the boxes of the STO ... X-H series are made for use in the pharmaceutical and food industries and dairy in areas where it is necessary to strictly comply with the hygiene-sanitary regulations (Machinery Directive 2006/42 / EC DIN EN 1672-2-2005, EHEDG documents 8 and 13). Built similarly to the speakers of the STO... X series, those of the "Hygienic Design" series include additional protective features such as the removable molded silicone gasket and washable / sterilizable and the closing box without interstices also equipped with silicone gasket as per legislation DIN EN 1672-2 and DIN EN 14159.

General features:

- **ST...X** structure completely welded made of AISI 304 stainless steel with scotch-brite bent finish with roof inclined 30 ° integrated into the casing body
- **STP** internal plate in 20/10 thick galvanized steel sheet
- **STC...X** hinged front door with opening angle of 120 ° (180 ° on request) reversible, equipped with perimeter gasket
- nr. 1 or nr. 2 closing boxes in chromed zamak double fin 3mm depending on the size (with H > = 700, 2 boxes)
- M6 copper-plated screws for grounding, on the structure and door, which guarantee electrical continuity throughout the structure

Items on request:

- wall hanger kit cod. **SFM400X** (page 58)