



BOXES SERIES ST

Series ST - Wall mount boxes IP66

Description: The series "ST" of wall mount boxes are made up of pressbent steel sheet and have hidden hinges. The box body has a triple angle along the edge of contact with the door, guaranteeing IP66 degree of protection. The paint is powder coated type. epoxy polyester RAL 7035 textured. The inner mounting plate is in galvanized steel thick 2.0 mm and is fixed to the box by screws welded on the box body.

General characteristics:

- Fully welded **ST** structure made of steel sheet with bent profile and triple-angle channel
- Cable entry in the lower part
- Bottom closing flange with sealing gasket
- Internal **STP** plate in 20/10 thick galvanized steel sheet
- hinged **STC** front door with 120 ° opening angle (on request 180 °) reversible, fitted with perimeter seal
- Nr. 1 or nr. 2 PVC closing boxes depending on the size (with H > = 700, 2 boxes)
- M6 copper-plated screws for earthing, on structure and door, which guarantee electrical continuity throughout the structure

Versioni disponibili della SERIE ST:

- STB** - blind door
- STV** - blind internal door and transparent external door
- STM** - transparent external door and internal modular structure for internal modular panels

Protection:

- IP66, IEC 62208 ; CEI EN 62262
- IK10, IEC 62208 ; CEI EN 62262
- Nema type 4: CSA22.2,941 e 942, UL508a

General features:

- external panel thickness 15/10
- door thickness 20/10
- mounting plate thickness 20/10



* UL C/US pending

BOXES SERIES ST

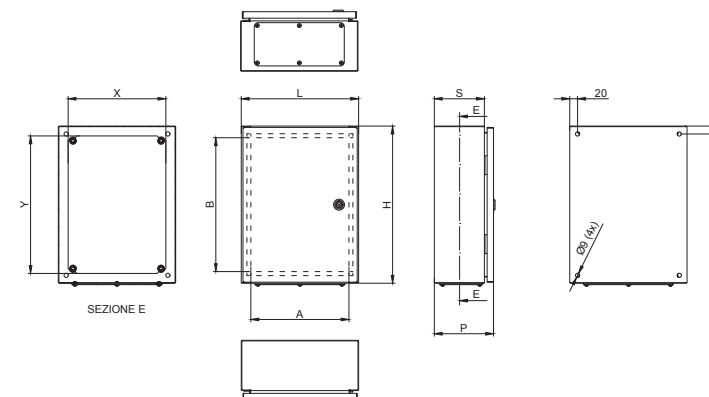
STB - Wall mount boxes with single door

Code STB includes:

- Monoblock welded structure
- Cable entry and flange on the bottom
- Mounting plate
- Blind door with PVC lock double bar type 20/10
- hinged **STC** front door with 120 ° opening angle (on request 180 °) reversible, fitted with perimeter gasket
- nr. 1 or nr. 2 PVC closing boxes depending on the size (H > = 700, 2 box)
- M6 copper-plated screws for earthing, on structure and door, which guarantee electrical continuity throughout the structure

Required items:

- wall hanger kit cod. **SFM400** (pag. 140)



Note: different types of closing boxes are available. (pag. 188)

STB - Wall mount boxes with single door

CODE	Nominal dimensions			Other dimensions			Door and inner plate code and dim.		
	H	L	P	S	A	B	Plate	X	Y
STB302015	300	200	150	126	152	265	STP3020	150	250
STB302515	300	250	150	126	202	265	STP3025	200	250
STB302520	300	250	200	176	202	265	STP3025	200	250
STB303015	300	300	150	126	252	265	STP3030	250	250
STB352515	350	250	150	126	202	315	STP3525	200	300
STB352520	350	250	200	176	202	315	STP3525	200	300
STB403015	400	300	150	126	252	365	STP4030	250	350
STB403020	400	300	200	176	252	365	STP4030	250	350
STB404020	400	400	200	176	352	365	STP4040	350	350
STB406020	400	600	200	176	552	365	STP4060	550	350
STB503015	500	300	150	126	252	465	STP5030	250	450
STB503020	500	300	200	176	252	465	STP5030	250	450
STB503515	500	350	150	126	302	465	STP5035	300	450
STB503520	500	350	200	176	302	465	STP5035	300	450
STB504016	500	400	160	136	352	465	STP5040	350	450
STB504020	500	400	200	176	352	465	STP5040	350	450
STB504025	500	400	250	226	352	465	STP5040	350	450
STB505020	500	500	200	176	452	465	STP5050	450	450
STB604020	600	400	200	176	352	565	STP6040	350	550
STB604025	600	400	250	226	352	565	STP6040	350	550
STB606020	600	600	200	176	552	565	STP6060	550	550
STB606025	600	600	250	226	552	565	STP6060	550	550
STB606030	600	600	300	276	552	565	STP6060	550	550
STB604040	600	400	400	376	352	565	STP6040	350	550
STB606040	600	600	400	376	552	565	STP6060	550	550
STB705020	700	500	200	176	452	665	STP7050	450	650
STB705025	700	500	250	226	452	665	STP7050	450	650
STB805020	800	500	200	176	452	765	STP8050	450	750
STB805025	800	500	250	226	452	765	STP8050	450	750
STB806020	800	600	200	176	552	765	STP8060	550	750
STB806025	800	600	250	226	552	765	STP8060	550	750
STB806030	800	600	300	276	552	765	STP8060	550	750
STB808030	800	800	300	276	752	765	STP8080	750	750
STB806040	800	600	400	376	552	765	STP8060	550	750
STB808040	800	800	400	376	752	765	STP8080	750	750
STB906020	900	600	200	176	552	865	STP9060	550	850
STB906025	900	600	250	226	552	865	STP9060	550	850
STB906030	900	600	300	276	552	865	STP9060	550	850
STB106025	1000	600	250	226	552	965	STP1060	550	950
STB106030	1000	600	300	276	552	965	STP1060	550	950
STB108020	1000	800	200	176	752	965	STP1080	750	950
STB108025	1000	800	250	226	752	965	STP1080	750	950
STB108032	1000	800	320	296	752	965	STP1080	750	950
STB106040	1000	600	400	376	552	965	STP1060	550	950
STB108040	1000	800	400	376	752	965	STP1080	750	950
STB126030	1200	600	300	276	552	1165	STP1260	550	1150
STB128025	1200	800	250	226	752	1165	STP1280	750	1150
STB128030	1200	800	300	276	752	1165	STP1280	750	1150
STB126040	1200	600	400	376	552	1165	STP1260	550	1150
STB128040	1200	800	400	376	752	1165	STP1280	750	1150
STB146040	1400	600	400	376	552	1365	STP1460	550	1350
STB148040	1400	800	400	376	752	1365	STP1480	750	1350



STV - Wall mount boxes with single glazed door

Il codice STV include:

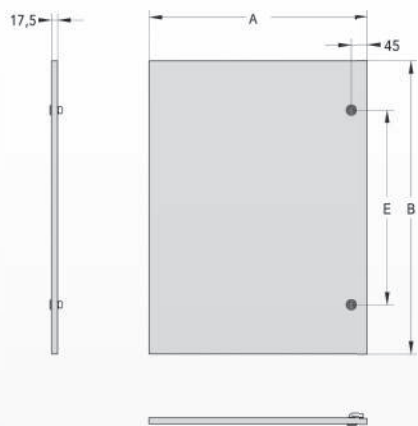
- Monblock welded structure
- Cable entry and flange
- Mounting plate
- Glazed door with PVC lock double bar type
- Inner door with PVC lock, double bar type

CODE	Nominal dimensions			Other dimensions			Door and inner plate code and dim.			
	H	L	P	S	T	Inner door	Inner plate	X	Y	
STV403020	400	300	200	176	50	STI4030	STP4030	250	350	
STV404020	400	400	200	176	50	STI4040	STP4040	350	350	
STV406020	400	600	200	176	50	STI4060	STP4060	550	350	
STV503015	500	300	150	126	50	STI5030	STP5030	250	450	
STV503020	500	300	200	176	50	STI5030	STP5030	250	450	
STV503515	500	350	150	126	50	STI5035	STP5035	300	450	
STV503520	500	350	200	176	50	STI5035	STP5035	300	450	
STV504016	500	400	160	136	50	STI5040	STP5040	350	450	
STV504020	500	400	200	176	50	STI5040	STP5040	350	450	
STV504025	500	400	250	226	50	STI5040	STP5040	350	450	
STV505020	500	500	200	176	50	STI5050	STP5050	450	450	
STV604020	600	400	200	176	50	STI6040	STP6040	350	550	
STV604025	600	400	250	226	50	STI6040	STP6040	350	550	
STV606020	600	600	200	176	50	STI6060	STP6060	550	550	
STV606025	600	600	250	226	50	STI6060	STP6060	550	550	
STV606030	600	600	300	276	50	STI6060	STP6060	550	550	
STV705020	700	500	200	176	50	STI7050	STP7050	450	650	
STV705025	700	500	250	226	50	STI7050	STP7050	450	650	
STV805020	800	500	200	176	50	STI8050	STP8050	450	750	
STV805025	800	500	250	226	50	STI8050	STP8050	450	750	
STV806020	800	600	200	176	50	STI8060	STP8060	550	750	
STV806025	800	600	250	226	50	STI8060	STP8060	550	750	
STV806030	800	600	300	276	50	STI8060	STP8060	550	750	
STV906020	900	600	200	176	50	STI9060	STP9060	550	850	
STV906025	900	600	250	226	50	STI9060	STP9060	550	850	
STV906030	900	600	300	276	50	STI9060	STP9060	550	850	
STV106025	1000	600	250	226	50	STI1060	STP1060	550	950	
STV106030	1000	600	300	276	50	STI1060	STP1060	550	950	
STV108020	1000	800	200	176	50	STI1080	STP1080	750	950	
STV108025	1000	800	250	226	50	STI1080	STP1080	750	950	
STV108032	1000	800	320	296	50	STI1080	STP1080	750	950	
STV126030	1200	600	300	276	50	STI1260	STP1260	550	1150	
STV128025	1200	800	250	226	50	STI1280	STP1280	750	1150	
STV128030	1200	800	300	276	50	STI1280	STP1280	750	1150	

Completing elements:

- hanger kit code **SFM400** (pag. 140)

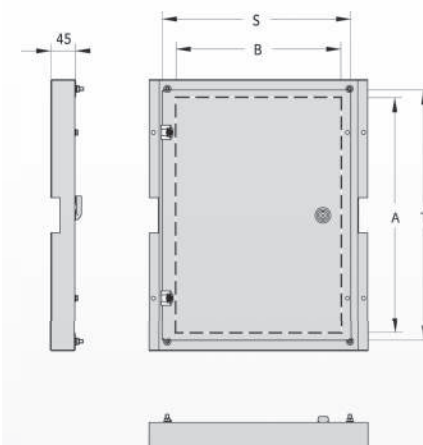
BOXES SERIES ST
STC - Blind door



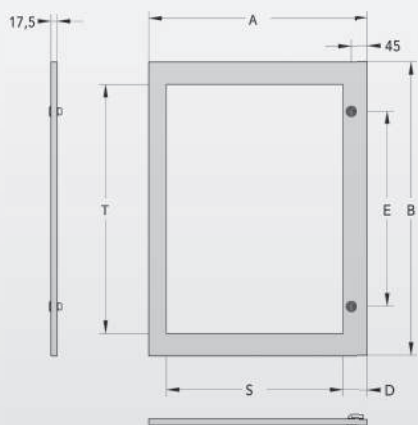
CODE	Nominal dimensions		Other dimensions		
	H	L	B	A	E
STC3020	300	200	294	192	-
STC3025	300	250	294	242	-
STC3030	300	300	294	292	-
STC3525	350	250	344	242	-
STC4030	400	300	394	292	-
STC4040	400	400	394	392	-
STC4060	400	600	394	592	-
STC5030	500	300	494	292	-
STC5035	500	350	494	342	-
STC5040	500	400	494	392	-
STC5050	500	500	494	492	-
STC6040	600	400	594	392	-
STC6060	600	600	594	592	-
STC7050	700	500	694	492	450
STC8050	800	500	794	492	550
STC8060	800	600	794	592	550
STC8080	800	800	794	792	550
STC9060	900	600	894	592	650
STC1060	1000	600	994	592	750
STC1080	1000	800	994	792	750
STC1260	1200	600	1194	592	950
STC1280	1200	800	1194	792	950
STC1460	1400	600	1394	592	1150
STC1480	1400	800	1394	792	1150

BOXES SERIES ST
STI - Inner door

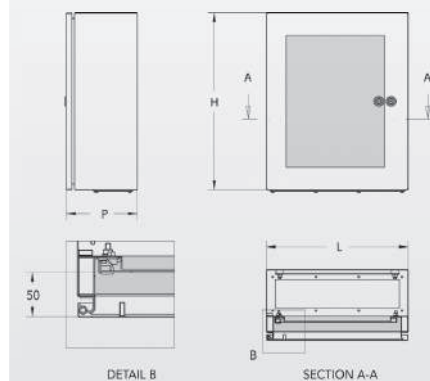
CODE	Nominal dimensions		Other dimensions			
	H	L	B	A	T	S
STI3020	300	200	91	227	255	142
STI3025	300	250	141	227	255	192
STI3030	300	300	191	227	255	242
STI3525	350	250	141	277	305	192
STI4030	400	300	191	327	355	242
STI4040	400	400	291	327	355	342
STI4060	400	600	491	327	355	542
STI5030	500	300	191	427	455	242
STI5035	500	350	241	427	455	292
STI5040	500	400	291	427	455	342
STI5050	500	500	391	427	455	442
STI6040	600	400	291	527	555	342
STI6060	600	600	491	527	555	542
STI7050	700	500	391	627	655	442
STI8050	800	500	391	727	755	442
STI8060	800	600	491	727	755	542
STI8080	800	800	691	727	755	742
STI9060	900	600	491	827	855	542
STI1060	1000	600	491	927	955	542
STI1080	1000	800	691	927	955	742
STI1260	1200	600	491	1127	1155	542
STI1280	1200	800	691	1127	1155	742

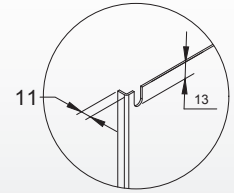
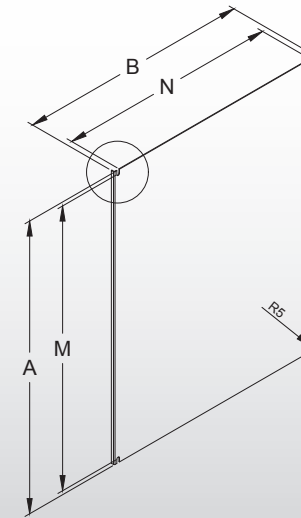
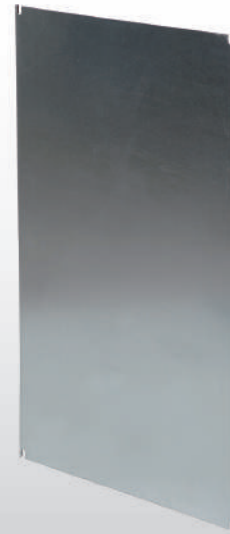
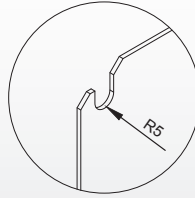
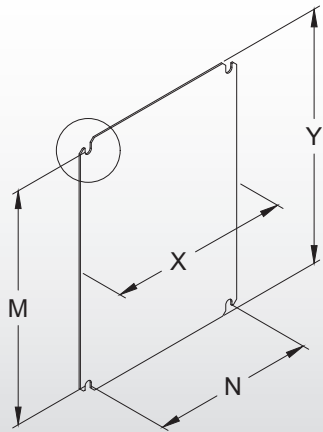


STT - Glazed door



CODE	Nominal dimensions		Other dimensions		
	H	L	T	S	E
STT3020	300	200	173	77	-
STT3025	300	250	173	127	-
STT3030	300	300	173	177	-
STT3525	350	250	223	127	-
STT4030	400	300	273	177	-
STT4040	400	400	273	277	-
STT4060	400	600	273	477	-
STT5030	500	300	373	177	-
STT5035	500	350	373	227	-
STT5040	500	400	373	277	-
STT5050	500	500	373	377	-
STT6040	600	400	473	277	-
STT6060	600	600	473	477	-
STT7050	700	500	553	313,5	450
STT8050	800	500	653	313,5	550
STT8060	800	600	653	413,5	550
STT8080	800	800	653	613,5	550
STT9060	900	600	753	413,5	650
STT1060	1000	600	853	413,5	750
STT1080	1000	800	853	613,5	750
STT1260	1200	600	1053	413,5	950
STT1280	1200	800	1053	613,5	950
STC1460	1400	600	1394	592	1150
STC1480	1400	800	1394	792	1150





BOXES SERIES ST

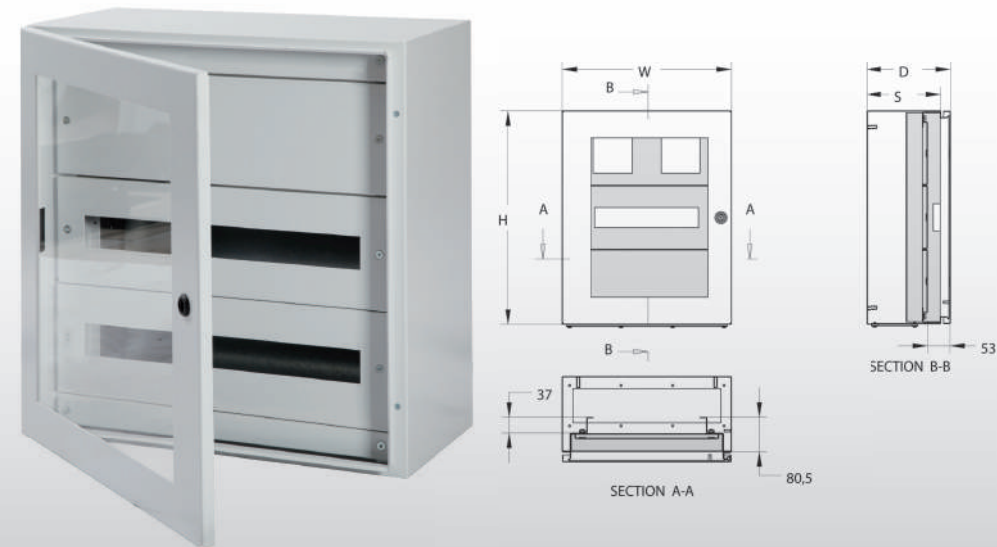
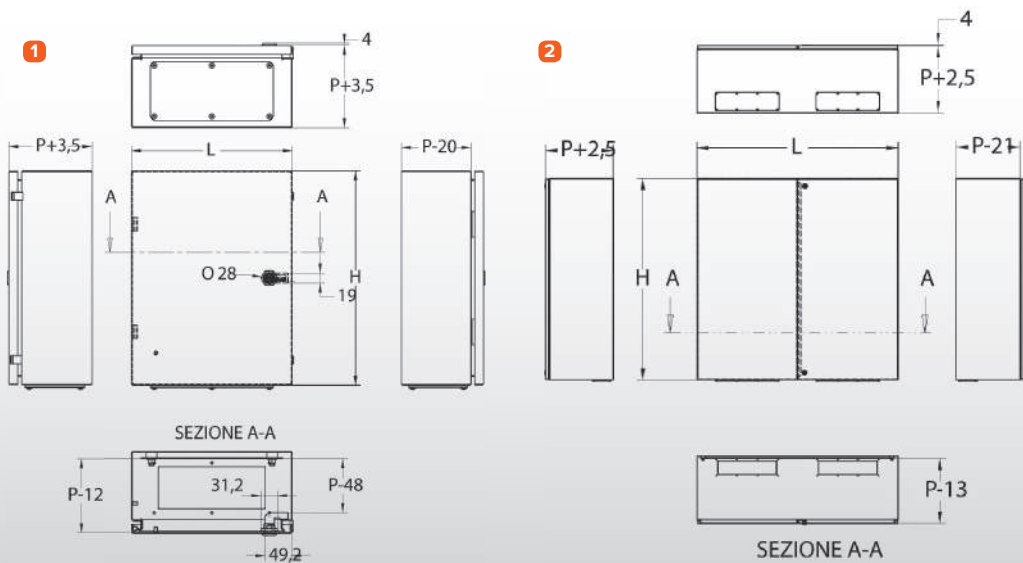
STP - Mounting plate, boxes $H \leq 900$ mm

BOXES SERIES ST

STP - Mounting plate boxes $H > 900$ mm

CODE	Nominal dimensions		Other dimensions			
	H	L	B	A	N	M
STP3020	300	200	149	249	125	225
STP3025	300	250	199	249	175	225
STP3030	300	300	249	249	225	225
STP3525	350	250	199	299	175	275
STP4030	400	300	249	349	225	325
STP4040	400	400	349	349	325	325
STP4060	400	600	549	349	525	325
STP5030	500	300	249	449	225	425
STP5035	500	350	299	449	275	425
STP5040	500	400	349	449	325	425
STP5050	500	500	449	449	425	425
STP6040	600	400	349	549	325	525
STP6060	600	600	549	549	525	525
STP7050	700	500	449	649	425	625
STP8050	800	500	449	749	425	725
STP8060	800	600	549	749	525	725
STP8080	800	800	749	749	725	725
STP9060	900	600	549	849	525	825

CODE	Nominal dimensions		Other dimensions			
	H	L	B	A	N	M
STP1060	1000	600	549	949	525	925
STP1080	1000	800	749	949	725	925
STP1260	1200	600	549	1149	525	1125
STP1280	1200	800	749	1149	725	1125
STP1460	1400	600	549	1349	525	1325
STP1480	1400	800	749	1349	725	1325



WALL BOXES

Distance between the inner surface of the door and the plate by Assembly

Description: in STB single-door (1) or double-door (2) cases, the plate is screwed into the inner part by means of four sturdy electro-welded studs. Between the same and the bottom there are interposed spacers of high-strength plastic material on which it rests and where it is fixed by means of appropriate nuts.

Between the plate placed in this way and the door, a variable gap is determined according to the depth P of the case. The drawing above indicates the characteristic distances between plate and door, between the tongue of the box and the plate.

Same thing for double door boxes.

BOXES SERIES ST

STM - Modular wall mount boxes

Code STM includes:

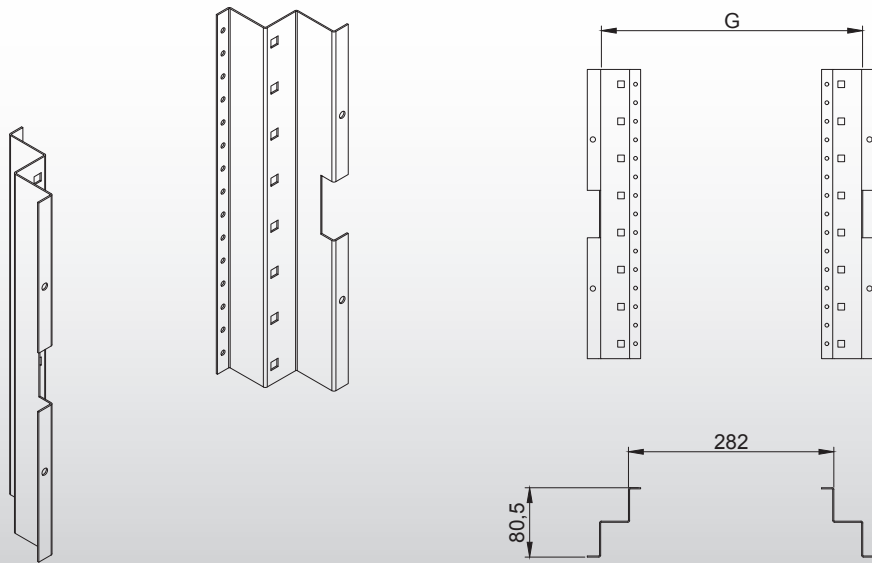
- Monoblock welded box body
- Cable entry and gland plate with gasket
- Glazed door with PVC lock, 3mm double bar type
- Inner modular frame
- Nr. 1 o nr. 2 closing boxes depending on the size ($H \geq 700$)
- **CTM** modular internal structure
- M6 copper-plated screws for earthing, on the structure and door, with guarantee electrical continuity throughout the structure

Additional elements:

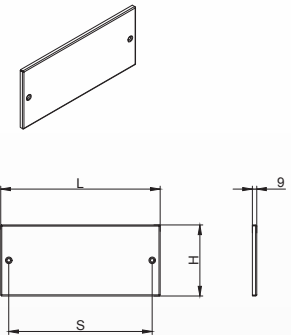
- **SFM400** wall fixing brackets (pag. 140)
- **CS** inner modular covers (pag. seguenti)
- **CPP** DIN rails (pag. 84)
- **STP** Mounting plate in galvanized steel sheet thickness 20/10 (pag. 132-133)

CODE	Nominal dimensions			Code components and other dimensions				Inner plate	
	H	L	P	S	T	Kit modulare	CODE piastra	X	Y
STM404020	400	400	200	176	35	CTM4040	STP4040	348	348
STM604020	600	400	200	176	35	CTM6040	STP6040	348	548
STM604025	600	400	250	226	35	CTM6040	STP6040	348	548
STM606030	600	600	300	276	35	CTM6060	STP6060	548	548
STM705020	700	500	200	176	35	CTM7050	STP7050	448	648
STM705025	700	500	250	226	35	CTM7050	STP7050	448	648
STM906030	900	600	300	276	35	CTM9060	STP9060	548	848
STM106025	1000	600	250	226	35	CTM1060	STP1060	548	948
STM128030	1200	800	300	276	35	CTM1280	STP1280	748	1148

CSY/CPK - Blind modular panel H=150 mm

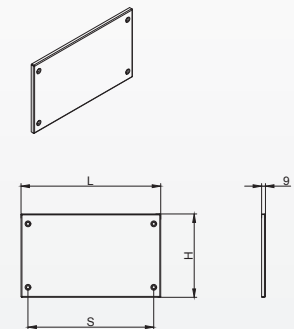


CODE	Dimensioni esterne		Other dimensions	
	H	L	S	
CSY400	147	330	297	-
CSY500	147	430	397	-
CSY600	147	530	497	-
CSY800	147	630	597	-



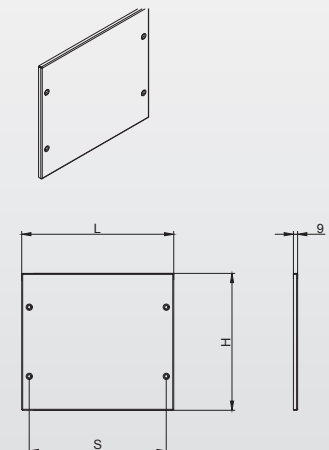
CSY/CPK - Blind modular panel H=200 mm

CODE	External dimensions		Other dimensions	
	H	L	S	
CPK400	197	330	297	-
CPK500	197	430	397	-
CPK600	197	530	497	-
CPK800	197	630	597	-



CPK..1 - Blind modular panel H=300 mm

CODE	External dimensions		Other dimensions	
	H	L	S	
CPK401	297	330	297	-
CPK501	297	430	397	-
CPK601	297	530	497	-
CPK801	297	630	597	-



CASSE A PARETE

CTM - Modular inner frame

Code CTM includes:

- Vertical modular elements
- Horizontal rails
- Fixing screws

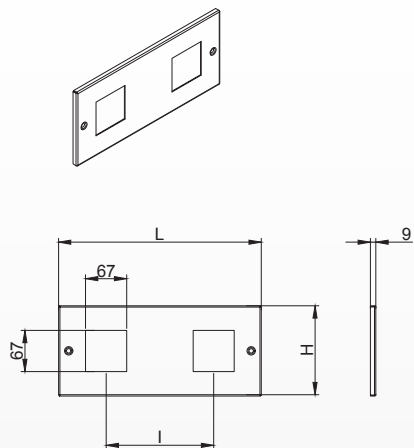
Completing elements:

- Modular covers series **CSY, CSX, CSZ, CPK**
- **CPP** DIN rail (pag. 84)

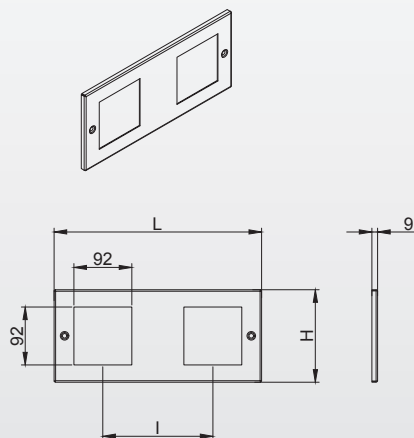
CODE	Nominal dimensions		Other dimensions		Units
	H	L	F	G	
CTM4040	400	400	320	350	2
CTM6040	600	400	480	350	3
CTM7050	700	500	640	450	4
CTM6060	600	600	480	550	3
CTM9060	900	600	800	550	5
CTM1060	1000	600	965	550	6
CTM1280	1200	800	1120	750	7

Note: DIN rails apart (pag. 84)

CSX - Modular panel with cut outs H=150 mm

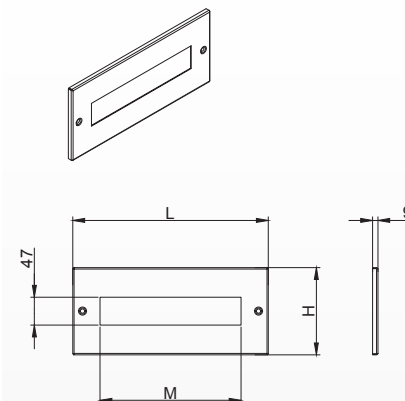


CSX..72				
CODE	External dimensions			
	H	L	I	Slot
CSX4272	147	330	175	67x67
CSX5272	147	430	275	67x67
CSX6272	147	530	375	67x67
CSX8272	147	630	575	67x67



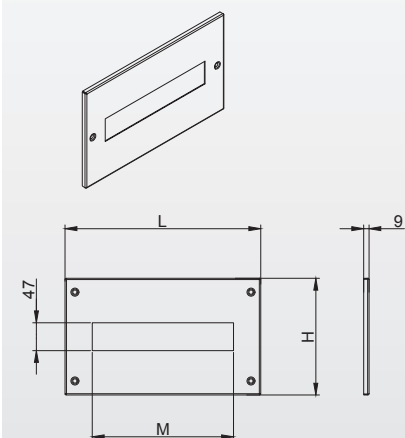
CSX..96				
CODE	External dimensions			
	H	L	I	Slot
CSX4296	147	330	150	92x92
CSX5296	147	430	250	92x92
CSX6296	147	530	350	92x92
CSX8296	147	730	550	92x92

CSZ - Modular panel with cut outs H=150 mm

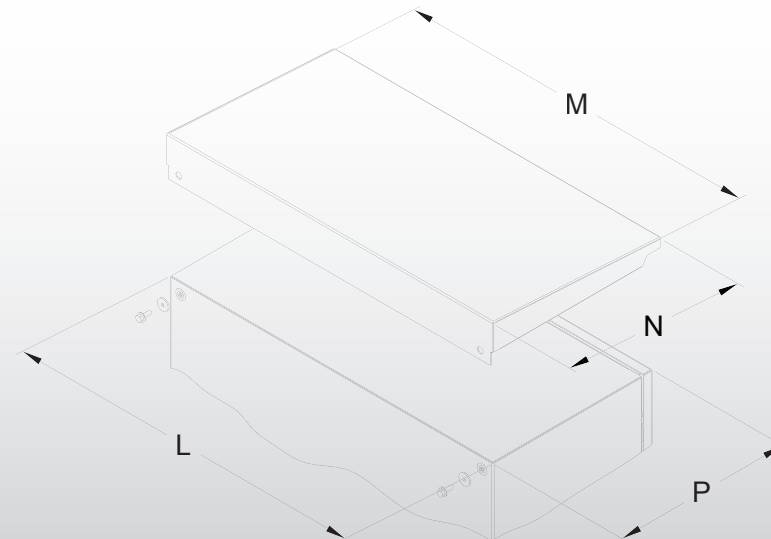
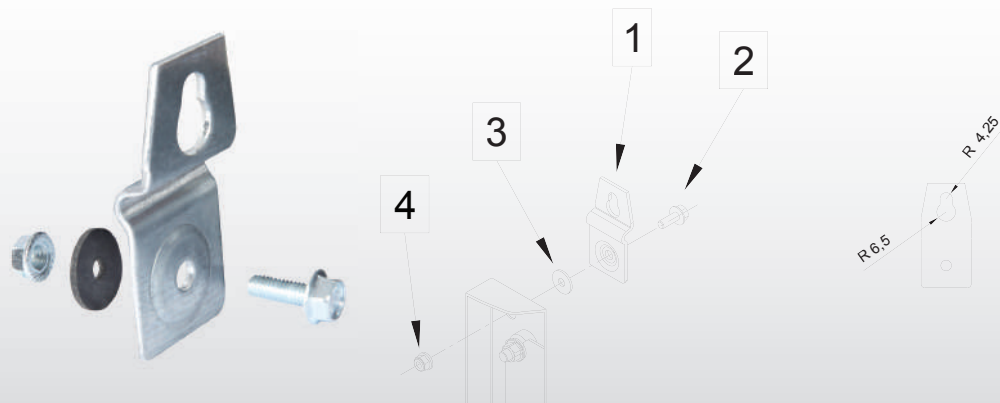


CSZ				
CODE	External dimensions			
	H	L	M	Units
CSZ414	147	330	245	14
CSZ520	147	430	351	20
CSZ625	147	530	438	25
CSZ836	147	630	630	36

CSZ..2 - Modular panel with cut outs H=200 mm



CSZ..2				
CODE	External dimensions			
	H	L	M	Units
CSZ402	197	330	245	14
CSZ502	197	430	351	20
CSZ602	197	530	438	25
CSZ802	197	630	630	36



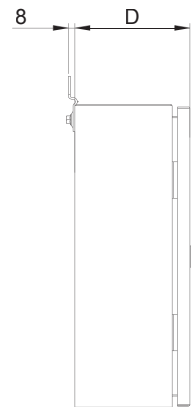
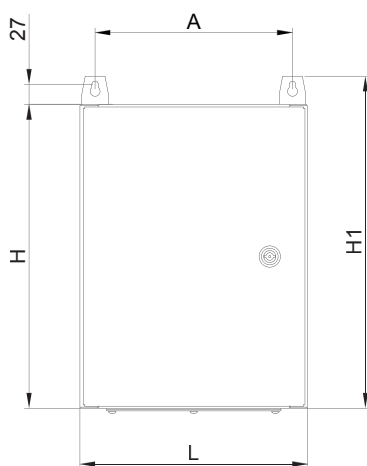
BOXES SERIES ST SFM400 - Wall mount brackets

Code **SFM400** includes:

- N° 4 Galvanised steel brackets(1)
- N° 4 Screws TEFR M6 (2)
- N° 4 Gaskets (3)
- N° 4 M6 nuts (4)

Wall fixing brackets are installed as show in the picture, on the back of the box.

The load capacity of one fixing bracket is 75 kg.

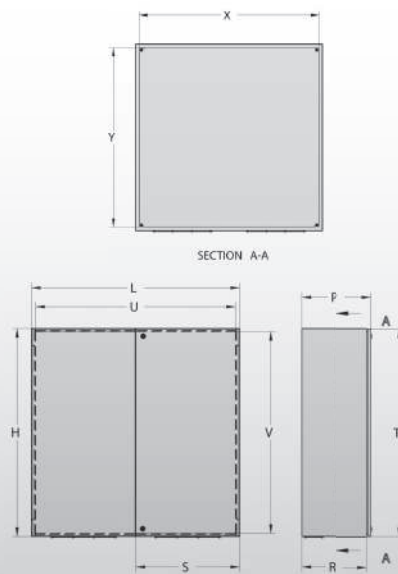


BOXES SERIES ST STTP - Rain hood

CODE	Nominal dimensions		Other dimensions	
	L	P	M	N
ST3020TP	300	200	396	296
ST4020TP	400	200	496	296
ST4025TP	400	250	496	346
ST5020TP	500	200	596	296
ST5025TP	500	250	596	346
ST6020TP	600	200	696	296
ST6025TP	600	250	696	346
ST6030TP	600	300	696	396
ST8025TP	800	250	896	346
ST8030TP	800	300	896	396

Height/width	Size H max	Hole spacing
H/L	H1	A
200	237,5	160
300	337,5	260
400	437,5	360
500	537,5	460
600	637,5	560
700	737,5	660
800	837,5	760
900	937,5	860
1000	1037,5	960
1200	1237,5	1160
1400	1437,5	1360

STP - Mounting plates for boxes with double doors

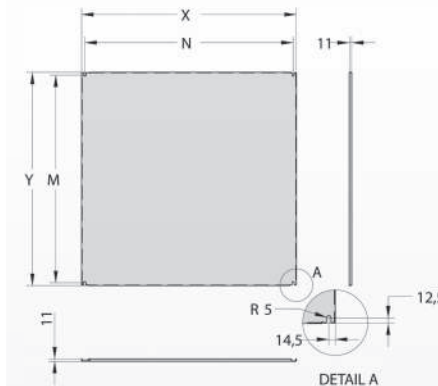


Code STP includes:

- Mounting plate thick 2.0 mm, galvanised steel
- Washers M8
- Self locking nuts

(*) The asterisk codes, while respecting the dimensions indicated in the table, can be of the type on page. 132-133 or have two fixing holes in the central part

CODE	Nominal dimensions		Other dimensions			
	H	L	B	A	N	M
STP6080(*)	600	800	749	549	725	525
STP8010(*)	800	1000	949	749	925	725
STP8012(*)	800	1200	1149	749	1125	725
STP1010	1000	1000	949	949	925	925
STP1012	1000	1200	1149	949	1125	925
STP1210	1200	1000	949	1149	925	1125
STP1212	1200	1200	1149	1149	1125	1125
STP6014(*)	600	1400	1349	549	1325	525
STP8014(*)	800	1400	1349	749	1325	725
STP8016(*)	800	1600	1549	749	1525	725
STP6016(*)	600	1600	1549	549	1525	525
STP1016	1000	1600	1549	949	1525	925
STP8018(*)	800	1800	1749	749	1725	725
STP1018	1000	1800	1749	949	1725	925
STP8020(*)	800	2000	1949	749	1925	725
STP1020	1000	2000	1949	949	1925	925



BOXES SERIES ST

STB - Wall mount boxes with double doors

Description: STB boxes are supplied also in double door version. The pair of doors is reversible. (IP55 protection)

Code ST double door includes:

- Monoblock welded box body
- Cable entry and gland plate with gasket
- bottom closing flange with sealing gasket
- STP internal plate in thick galvanized steel sheet 20/10
- Double doors with PVC lock, 3 mm double bar type
- Mounting plate
- pair of hinged STC doors with 120 ° opening angle (180 ° upon request) reversible, fitted with
- of perimeter gasket
- nr. 1 or nr. 2 PVC closing boxes depending on the size (H>=700, 2 box)
- M6 copper-plated screws for earthing, on structure and door, which guarantee electrical continuity throughout the structure

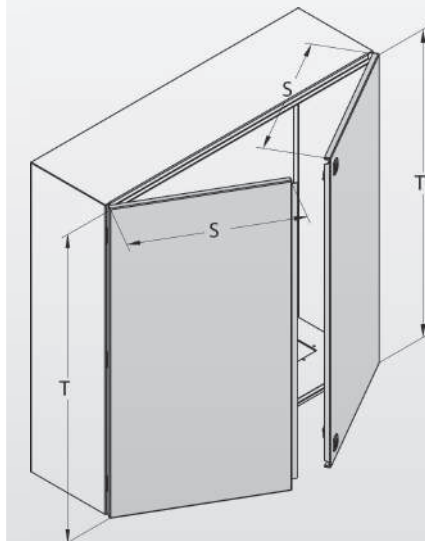
CODE	Nominal dimensions			Features					Inner plate	
	H	L	P	R	S	T	U	V	X	Y
STB608030	600	800	300	276	394	593	565	752	748	548
STB601230	600	1200	300	276	793	593	565	1152	1148	548
STB601430	600	1400	300	276	694	593	565	1352	1348	548
STB601440	600	1400	400	376	694	593	565	1352	1348	548
STB601640	600	1600	400	376	794	593	565	1552	1548	548
STB801020	800	1000	200	176	494	793	765	952	948	748
STB801030	800	1000	300	276	494	793	765	952	948	748
STB801220	800	1200	200	176	594	793	765	1152	1148	748
STB801230	800	1200	300	276	594	793	765	1152	1148	748
STB801240	800	1200	400	376	594	793	765	1152	1148	748
STB801440	800	1400	400	376	694	793	765	1352	1348	748
STB801640	800	1600	400	376	794	793	765	1552	1548	748
STB801840	800	1800	400	376	894	793	765	1752	1748	748
STB802040	800	2000	400	376	994	793	765	1952	1948	748
STB101030	1000	1000	300	276	494	993	965	952	948	948
STB101230	1000	1200	300	276	594	993	965	1152	1148	948
STB101640	1000	1600	400	376	794	993	965	1552	1548	948
STB101840	1000	1800	400	376	894	993	965	1752	1748	948
STB102040	1000	2000	400	376	994	993	965	1952	1948	948
STB121030	1200	1000	300	276	494	1193	1165	952	948	1148
STB121230	1200	1200	300	276	594	1193	1165	1152	1148	1148
STB121240	1200	1200	400	376	594	1193	1165	1152	1148	1148

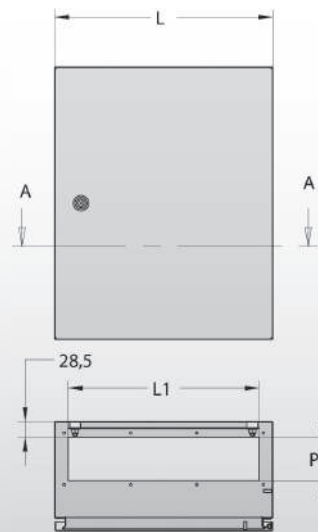
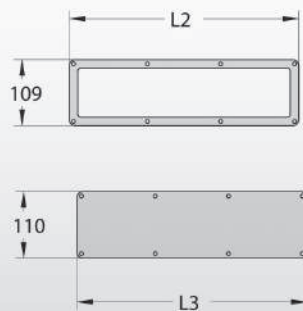
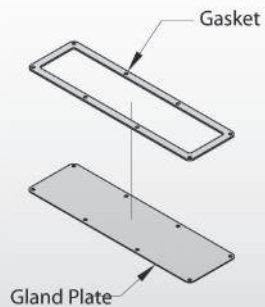
Code STC includes:

- Double doors with PVC lock, 3 mm double bar type
- Hinges
- Fixing screws

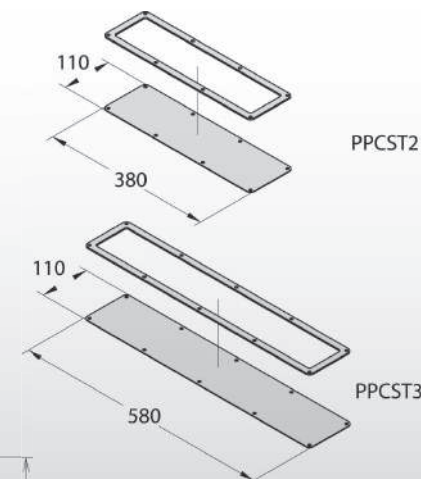
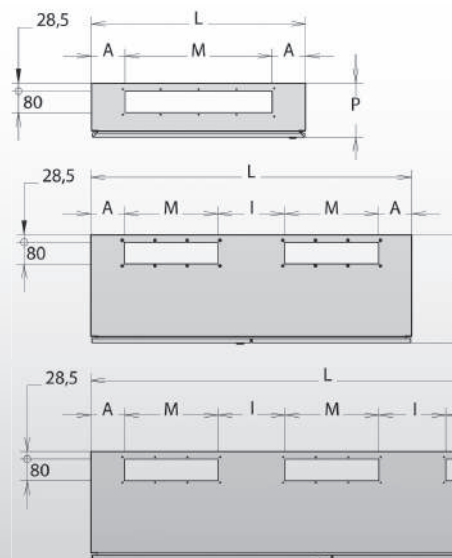
CODE	Nominal dimensions		Other dimensions	
	H	L	T	S
STC6080	600	800	593	394
STC8010	800	1000	793	494
STC8012	800	1200	793	594
STC1010	1000	1000	993	494
STC1012	1000	1200	993	594
STC1210	1200	1000	1193	494
STC1212	1200	1200	1193	594
STC6014	600	1400	593	694
STC8014	800	1400	793	694
STC8016	800	1600	793	794
STC6016	600	1600	593	794
STC1016	1000	1600	993	794
STC8018	800	1800	793	894
STC1018	1000	1800	993	894
STC8020	800	2000	793	994
STC1020	1000	2000	993	994

STC - Double doors for STB





SECTION A-A



BOXES SERIES ST PPCST - Cable entry, closing plates and sealing gaskets

Description: the cable entry compartment of the ST single-door boxes is standardized, varying only in width depending on the size of the box. The compartment is closed by a plate in painted sheet metal fixed with trilobate self-threading screws. Below it is a sealing gasket for maintaining the IP rating.

The PPCST code includes:

- gasket
- closing plate
- fixing screws

CODE	Boxes width ST (L)	Cable compartment		Gasket	Plate
		L1	P1		
PPCST0	da 200 a < 250 mm	150	80	179	180
PPCST1	da 250 a < 400 mm	200	80	229	230
PPCST2	da 400 a < 600 mm	350	80	379	380
PPCST3	da 600 a < 800 mm	550	80	579	580
PPCST4	>= 800 mm	550	115	579	580

Notes: on request it is possible to have rubber cable entry PPVST (page 168)

BOXES SERIES ST PPC..ST - Cable compartment for double door boxes

Description: in ST enclosures with double doors, the cable entry compartment follows the same logic as single door enclosures: it varies only in width (up to 800mm) but not in the sense of depth. Beyond this measure, the openings are repeated at fixed intervals and only with PPCST2 and PPCST3 type compartments.

The PPCST2 and PPCST3 codes include:

- gasket
- closing plate
- fixing screws

(in the quantities shown in the table)

CODE	Nominal dimensions		Other dimensions			CODE PPCST	Q.ty N°
	L	P	M	I	A		
STB..80..	800	300	550	-	125	PPCST3	1
STB..10..	1000	200-300	350	150	75	PPCST2	2
STB..12..	1200	200-300-400	350	250	125	PPCST2	2
STB..14..	1400	300-400	550	150	75	PPCST3	2
STB..16..	1600	400	550	250	125	PPCST3	2
STB..18..	1800	400	350	250	125	PPCST2	3
STB..20..	2000	400	550	116,7	58,3	PPCST3	3